

IToolco.

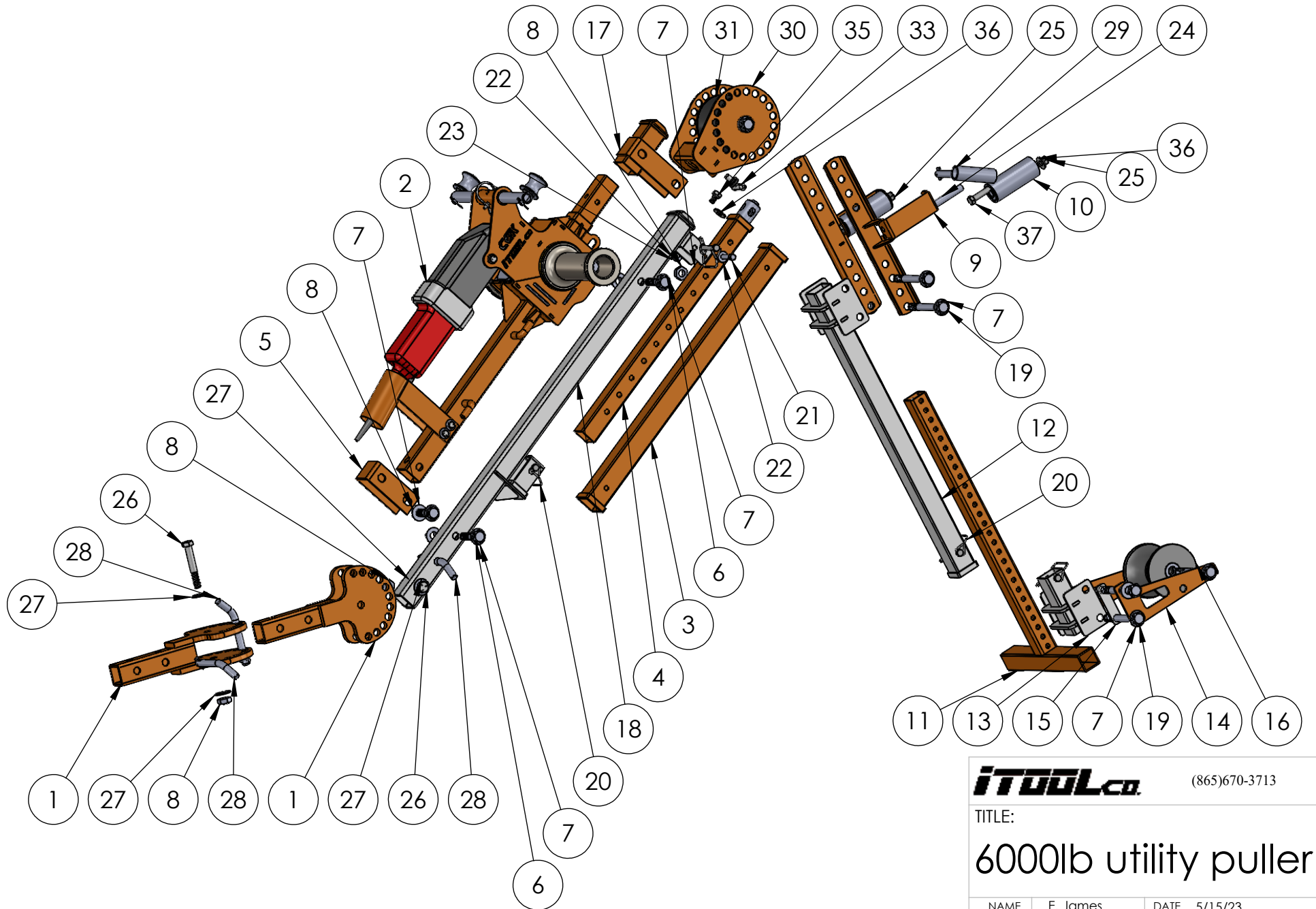
(865)670-3713

TITLE:

6000lb utility puller

NAME	D. Jordan	DATE	??
SIZE	DWG. NO.	REV	
A	UP6K		

SCALE: 1:50 WEIGHT: SHEET 1 OF 4



IToolCo.

(865)670-3713

TITLE:
6000lb utility puller

NAME	E. James	DATE	5/15/23
SIZE	DWG. NO.	REV	
A	UP6K		

SCALE: 1:50 WEIGHT: SHEET 2 OF 4

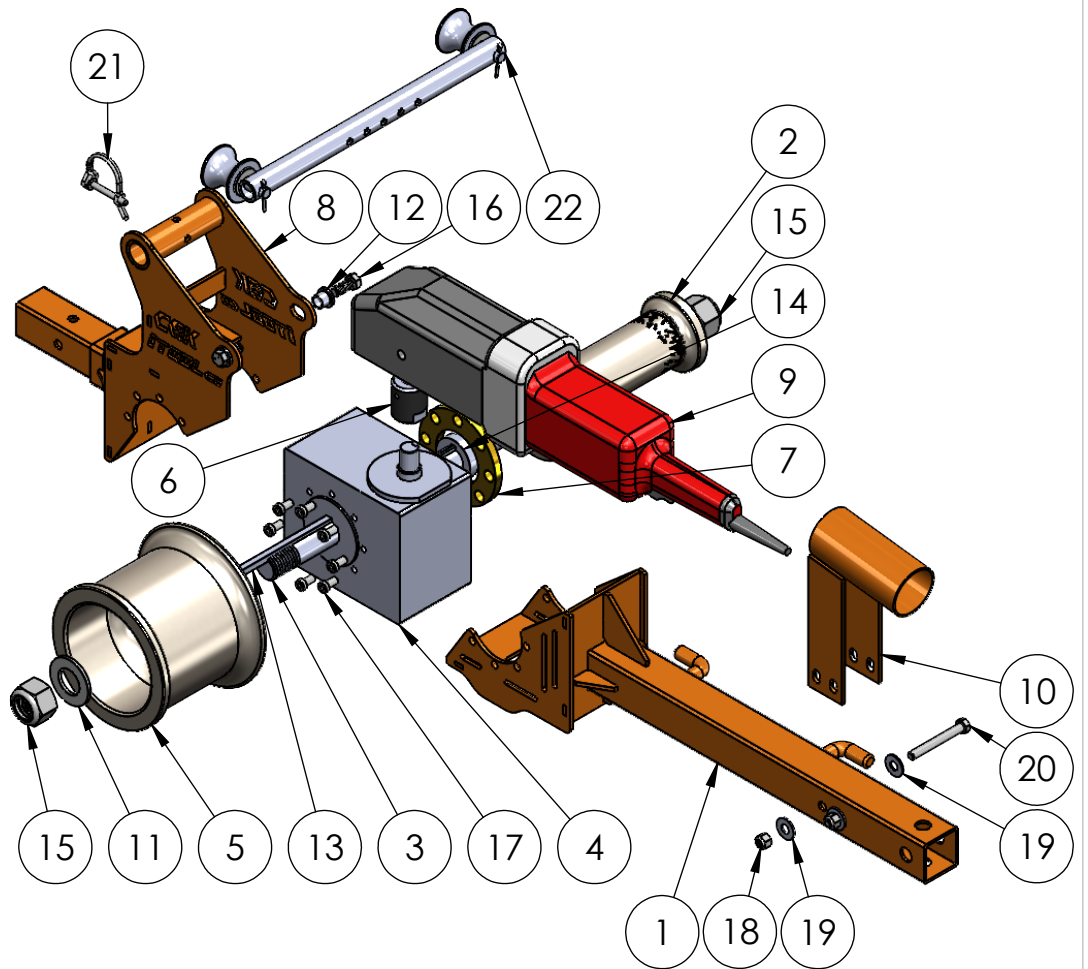
ITEM NO.	PART NUMBER	DESCRIPTION	
1	C6KR-405	Receiver Hitch Pivot	2
2	C6K-602	Lower Base Unit	1
3	C6K-409.2	Outer Extensionn w/ weld on sleeves	1
4	C6K-405	Inner Telescoping Tube	1
5	C6KR-407	Coated Mount Bracket	1
6	HW-173	5/8" 11t x 3.25" Bolt	3
7	HW-176	5/8" SAE Washer	20
8	HW-182	5/8" nyloc nut	12
9	C6KR-412	Side arm with Roller Mount	2
10	SP-115	Alum Roller w/Bearings	2
11	C6KR-414.2	Extendable T Foot	1
12	C6KR-415	Front Extension Bar	1
13	C6KR-416.2	Slide on attachment bracket	1
14	C6KR-417	5" Roller Bracket	2
15	C6KR-222	2 Hole Spacer	2
16	SP-142	5" Roller	1
17	C6KR-408	Front Mount Bracket	1
18	C6KR-406	Main Tube Assembly	1
19	HW-175	5/8" 11t x 6.5" Bolt	7
20	HW-350	3/8" Pin with large sq retainer	4
21	HW-142	.375x 16 x 3. bolt	1
22	HW-146	3/8" Washer	2
23	HW-150	3/8"-16T Nylock Hex	1
24	TR-114	Bearing Sleeve 5-1/16" .625 x .058w	2
25	HW-168	1/2" 13t Nyloc Jam Nut	2
26	HW-351	5/8"-11 x 4"L Hex Bolt	2
27	HW-176	5/8" SAE Washer	8
28	SP-185	5/8" Bent Hitch Pin	3
29	SP-182	5/8" Hitch Pin w/ Flashlight Holder	1
30	C6K-406.2	New Style Main Roller	1
31	SP-107	Fron & Main Roller	1
32	SP-114	5/8" ID 1-3/8"OD Bearing	2
33	SP-001.2	Pull Pop Pin	1
34	SP-149	Interior Roller Bearing	2
35	HW-159	1/2"-13 x .75"L Bolt	1
36	HW-166	1/2" flat washer	3
37	HW-287	1/2 13t x 6"	2

IToolCo. (865)670-3713

TITLE:
6000lb utility puller

NAME	E. James	DATE	5/15/23
SIZE	DWG. NO.	REV	
A	UP6K		
SCALE: 1:50	WEIGHT:	SHEET 3 OF 4	

ITEM NO.	PART NUMBER	DESCRIPTION	QTY.
1	C6K-403	Gearbox Bottom Frame	1
2	C6K-125M	High Torque capstan	1
3	SP-103	Output Shaft	1
4	GB-001.2	Gearbox	1
5	C6K-126M	High Speed Capstan	1
6	SP-104	6K Motor Coupling	1
7	SP-106	Capstan Bearing	1
8	C6K-404	Gearbox Top	1
9	SP-141	Milwaukee super Hawg 1680-20	1
10	C6K-412	Handle Motor Mount	1
11	HW-194	1 1/8" SAE Washer	1
12	SP-108	Capture Bushing	2
13	HW-312	Key Stock	1
14	SP-105	6K High torque Capstan Spacer Aluminum	1
15	HW-193	1-1/8" 7T Nylock Nut	2
16	HW-158	7/16"-14 x 1" Long Hex Bolt	2
17	HW-242	M8 low head 6K gearbox mount bolts	16
18	HW-150	3/8"-16T Nylock Hex	2
19	HW-146	3/8" Washer	4
20	HW-142	3/8" 16t X 3" Hex Bolt	2
21	SP-180	1/4" Wire-Lock Clevis Pin	1
22	CK-602	Rope Roller Assembly	1



IToolCo.

(865)670-3713

TITLE:

C6K-602 Exploded View

NAME	E. James	DATE	5/8/2023
------	----------	------	----------

SIZE	DWG. NO.	REV
------	----------	-----

A C6K-602

SCALE: 1:24	WEIGHT:	SHEET 4 OF 4
-------------	---------	--------------