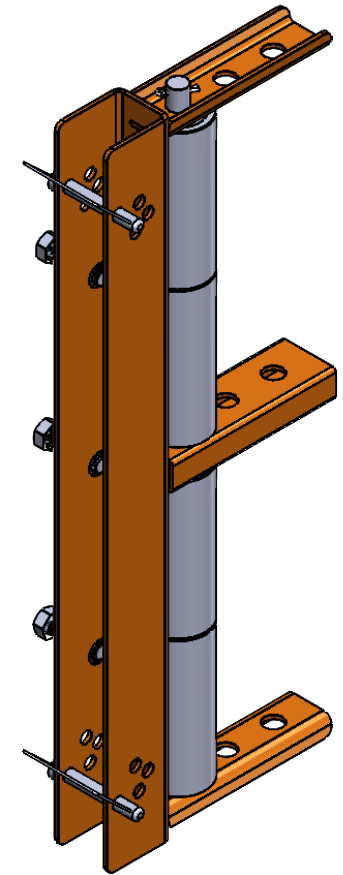
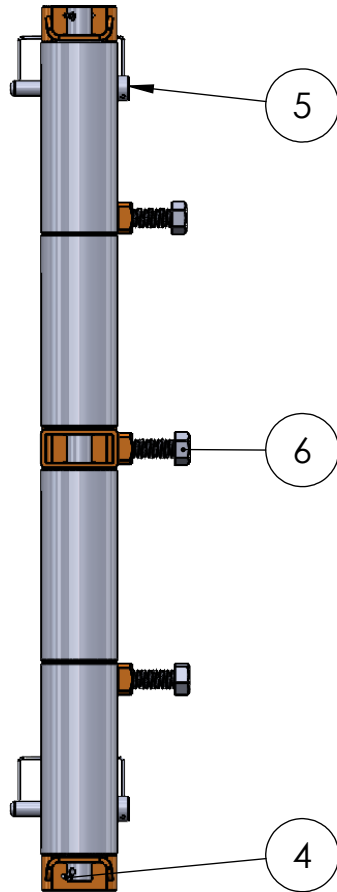
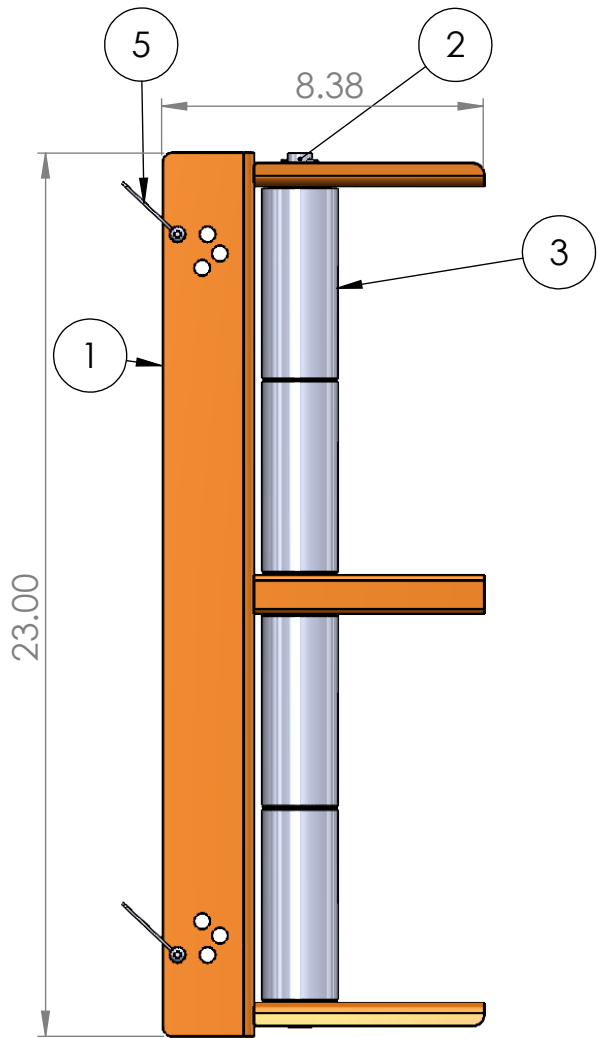


ITEM NO.	PART NUMBER	DESCRIPTION	QTY.
1	TR-404	20" Tray Roller Frame	1
2	TR-417	Main Bearing Axle	1
3	SP-115	Alum Roller w/Bearings	4
4	HW-222	1/8" cotter pin	2
5	SP-181	3/8 Pin w/ retainer	2
6	HW-161	1/2"13t 1.75" Bolt	3



IToolCo.

(865)670-3713

TITLE:

NAME E. James DATE 11/8/23

SIZE DWG. NO. REV

A TRST20

SCALE: 1:5 WEIGHT: SHEET 1 OF 1