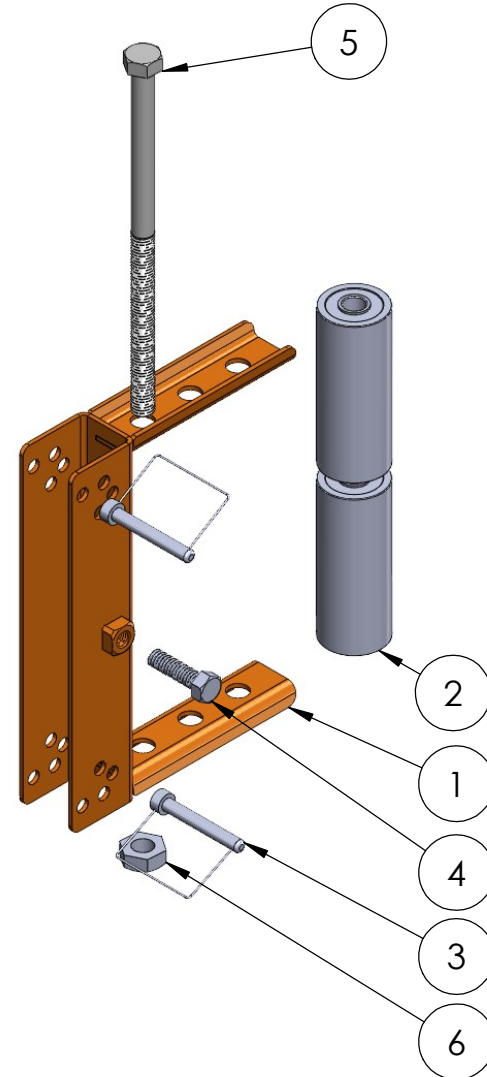
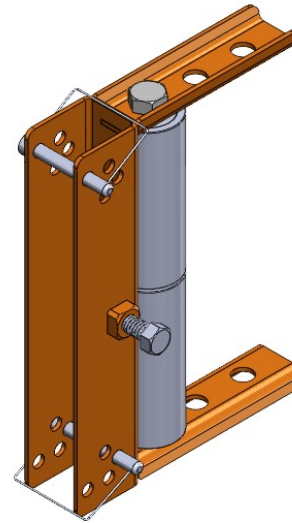
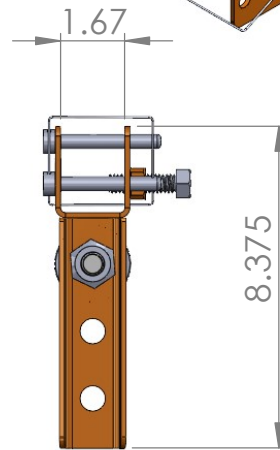
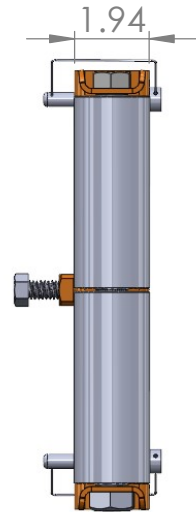
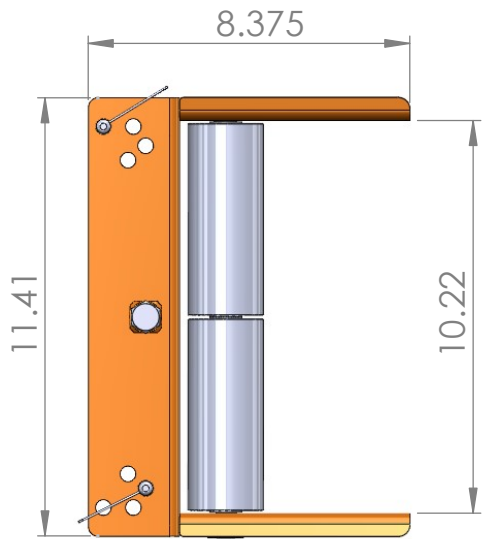


ITEM NO.	PART NUMBER	DESCRIPTION	QTY.
1	TR-401	ST 10" Powder Coated	1
2	SP-115	Alum Roller w/Bearings	2
3	SP-181	3/8 Pin w/ retainer	2
4	HW-161	1/2"13t 1.75" Bolt	1
5	HW-183	5/8" 11T x 11"L Hex Cap Screw	1
6	HW-182	5/8" nyloc nut	1



UNLESS OTHERWISE SPECIFIED:		NAME	DATE	<b>iTOOL</b> co. (865)670-3713
DIMENSIONS ARE IN INCHES TOLERANCES:		DRAWN	D. Jordan 11/29/16	
ANGULAR: MACH +1/4*BEND ±.03 TWO PLACE DECIMAL ±.01 THREE PLACE DECIMAL ±.005		CHECKED	E. James 4/26/23	TITLE: Straight 10" Tray Roller
INTERPRET GEOMETRIC TOLERANCING PER:		ENG APPR.		SIZE DWG. NO. <b>A TRST10</b>
MATERIAL		Q.A.		
FINISH		<b>PROPRIETARY AND CONFIDENTIAL</b> THE INFORMATION CONTAINED IN THIS DRAWING IS THE SOLE PROPERTY OF iTOOL co. ANY REPRODUCTION IN PART OR AS A WHOLE WITHOUT THE WRITTEN PERMISSION OF iTOOL co. IS PROHIBITED.		SCALE: 1:5
DO NOT SCALE DRAWING				WEIGHT: