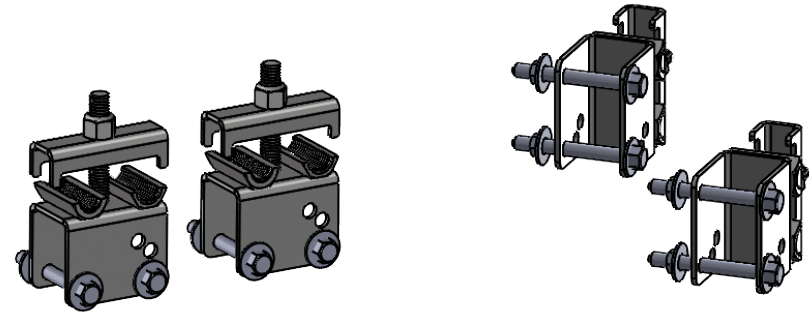


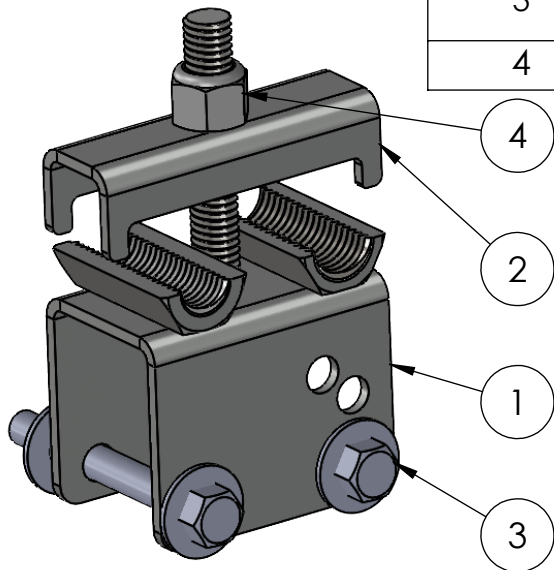
Pair of TRM750

| ITEM NO. | PART NUMBER | DESCRIPTION | QTY. |
|----------|----------------------------|--------------------------|------|
| 1 | 1 side of TRM750 assembled | Needs 2 assembled in box | 2 |



Singular TRM750

| ITEM NO. | PART NUMBER | DESCRIPTION | QTY. |
|----------|----------------------|---|------|
| 1 | TRM-402 | 3/8" & 1/2" | 1 |
| 2 | TRM-403 | Coated Synch Bracket | 1 |
| 3 | HW-142,HW-146,HW-150 | 3/8"x16t x 3" bolt Washer and Nyloc nut | 2 |
| 4 | HW-168 | 1/2" 13t Nyloc Jam Nut | 1 |



IToolCo.

(865)670-3713

TITLE:

5/8" and 3/4" pair of TRM

| | | | |
|------------|---------------|--------------|----------|
| NAME | E. James | DATE | 10/24/23 |
| SIZE | DWG. NO. | REV | |
| A | TRM750 | | |
| SCALE: 1:5 | WEIGHT: | SHEET 1 OF 1 | |