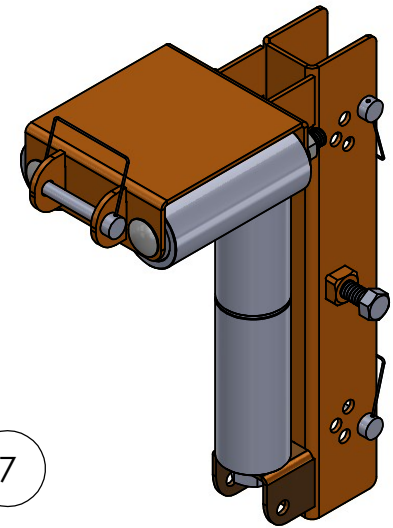
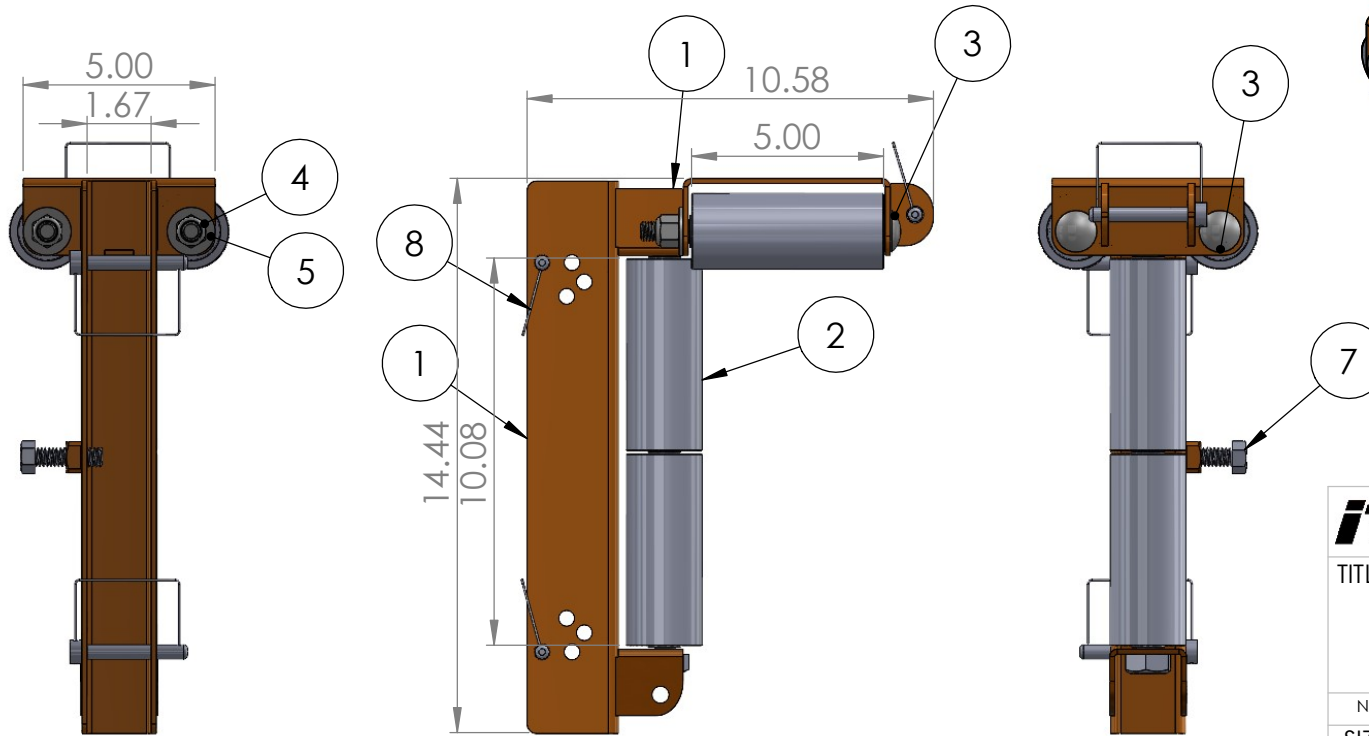
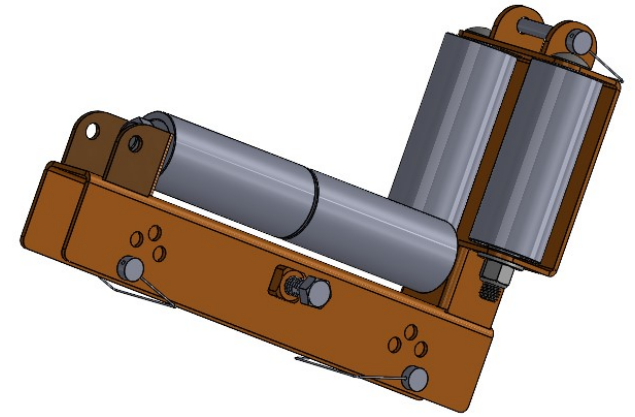


ITEM NO.	PART NUMBER	DESCRIPTION	QTY.
1	TR-402	10" 90* trapping tray roller	1
2	SP-115	Alum Roller w/Bearings	4
3	HW-287	1/2" x 6" Carriage Bolt	2
4	HW-168	1/2" 13t Nyloc nut	2
5	HW-166	1/2" flat washer	2
6	TR-114	Bearing Sleeve 5-1/16" .625 x .058w	2
7	HW-161	1/2"13t 1.75" Bolt	1
8	SP-181	3/8 Pin w/ retainer	3
9	HW-183	5/8" 11T x 11"L Hex Cap Screw	1
10	HW-182	5/8" nyloc nut	1



ITool co.		(865)670-3713
TITLE:		
90* 10" Trapping Tray Roller		
NAME	D. Jordan	DATE 11/29/16
SIZE	DWG. NO.	
A	TR9010	
SCALE: 1:5	WEIGHT:	SHEET 1 OF 2

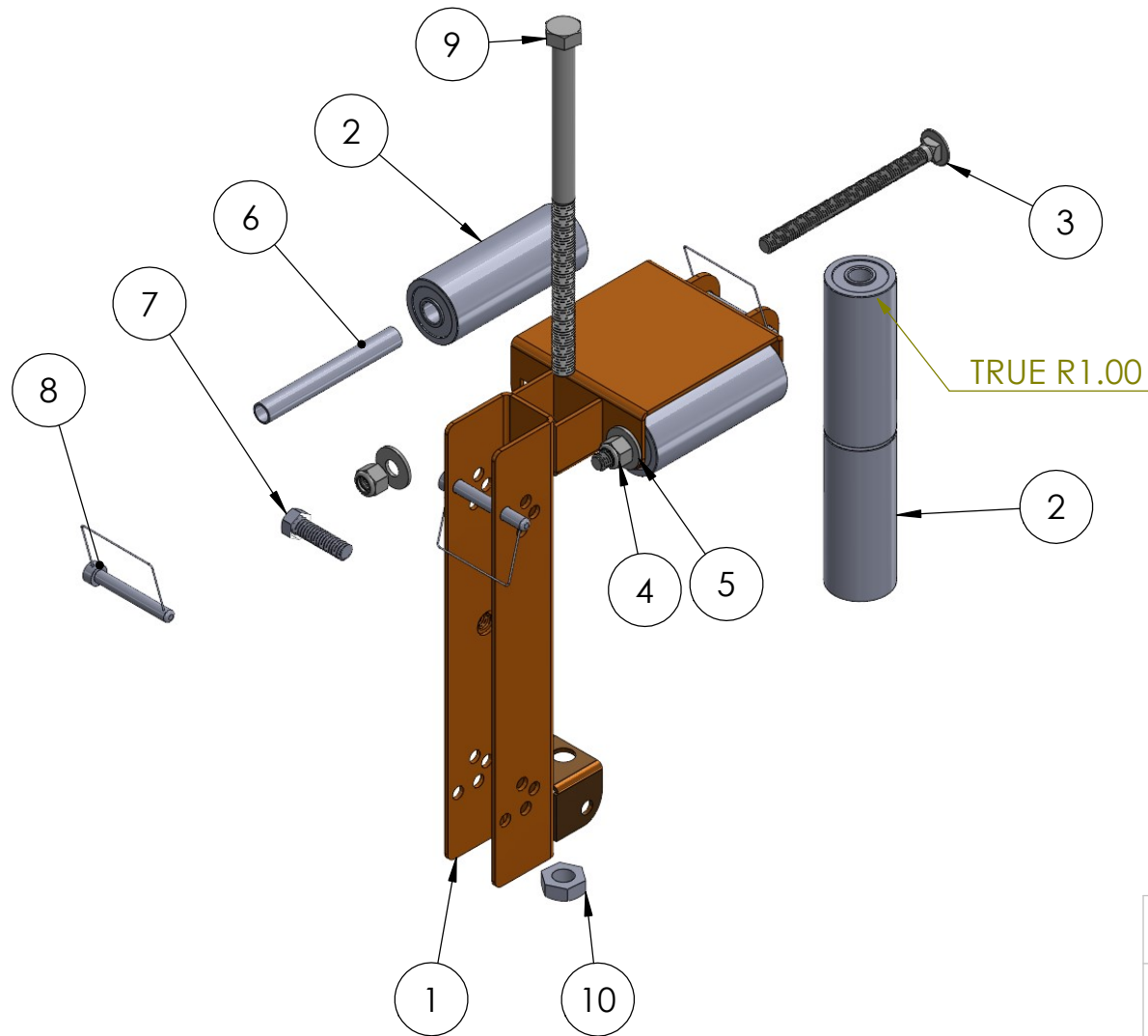
5

4

3

2

1



iTOOLco. (865)670-3713

TITLE:
Exploded View

PROPRIETARY AND CONFIDENTIAL
THE INFORMATION CONTAINED IN THIS DRAWING IS THE SOLE PROPERTY OF iTOOL co. ANY REPRODUCTION IN PART OR AS A WHOLE WITHOUT THE WRITTEN PERMISSION OF iTOOL co. IS PROHIBITED.

SIZE A	DWG. NO. TR9010	REV
Date	WEIGHT:	SHEET 2 OF 2