

IToolco.

(865)670-3713

TITLE:

10 Ton Hydraulic Wire Pulling Unit

NAME	D. Jordan	DATE	2/17/2022
SIZE	DWG. NO.	REV	
A	MVP20K		
SCALE: 1:100	WEIGHT:	SHEET 1 OF 21	

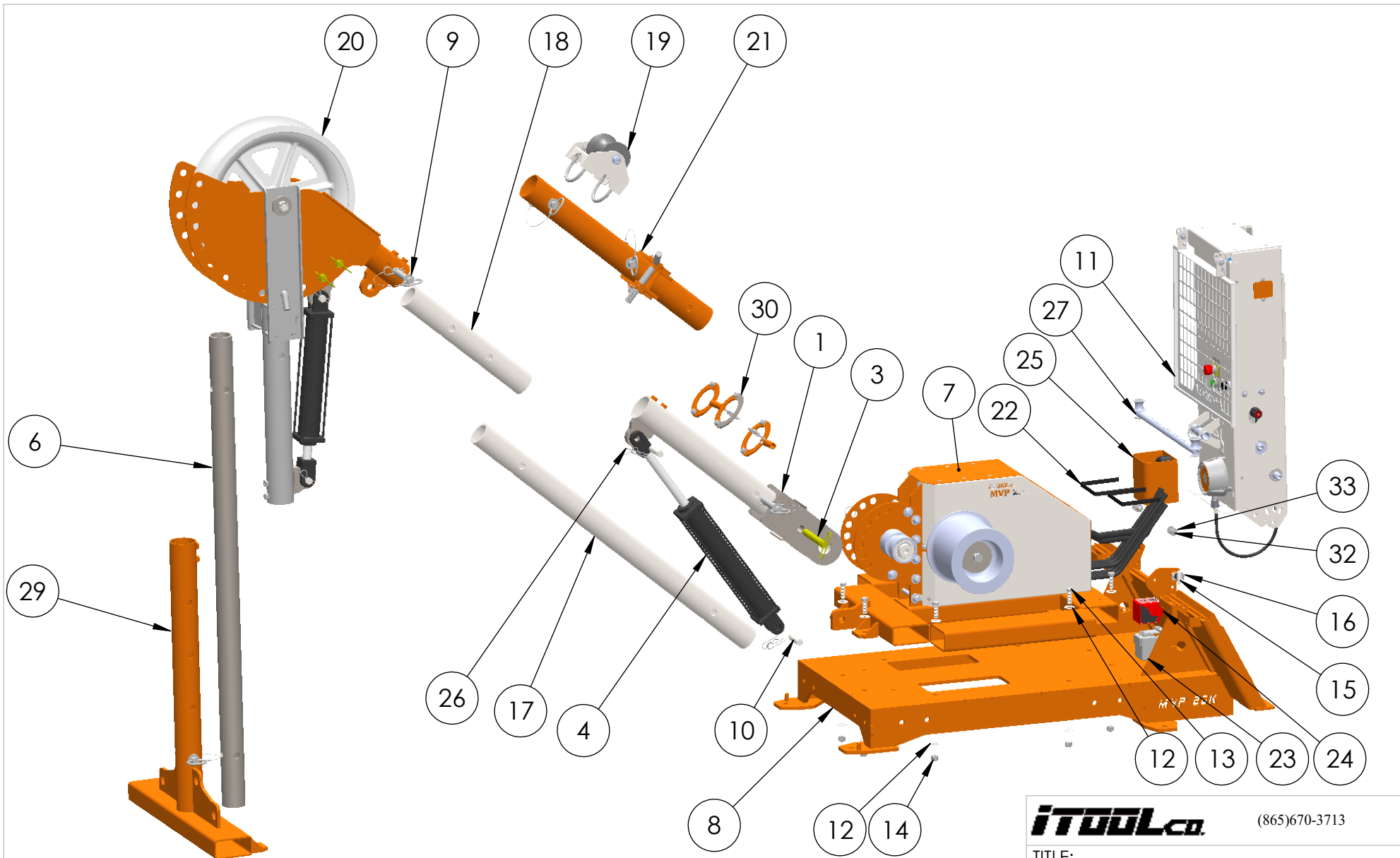
5

4

3

2

1



IToolCo.		(865)670-3713	
TITLE: 10 Ton Hydraulic Wire Pulling Unit			
NAME	D. Jordan	DATE	2/17/2022
SIZE	DWG. NO.	REV	
A	MVP20K		
SCALE: 1:100		WEIGHT:	SHEET 2 OF 21

ITEM NO.	PART NUMBER	DESCRIPTION	QTY.
1	C20K-405	Boom Arm Base Knuckle	1
2	HW-305	5/8" 11t -3/4" Set Set	2
3	HW-317	1 inch x 7 Hitch Pin w/ Linch Pin	1
4	HYD-013	3"x 18" Ram Cylinder	1
6	C20K-417	6' Inner Extension C20K	1
7	C20k-619	Complete Gearbox Base and Motor Assembled	1
8	C20K-410.2	Skid Steer Mount	1
9	HW-420	Loop-Grip Clevis Pin with Hairpin Cotter Pin	2
10	SP-347	1in. Diameter by 3.5 in. Pin for 20K Rams	2
11	C20K-612	Fully Assembled Control Tower	1
12	HW-190	3/4" SAE Washer	16
13	HW-410	5/8"-11 x 2" Hex Bolt	8
14	HW-411	5/8"-11 Nylock Nut	8
15	SP-001.2	Pull Pop Pin	2
16	ROJ-430	Pop pin Holder	2
17	C20K-413	5' Extension for Sliding Through Hinge	1
18	C20K-414	23.75" Extension TL Cut	1
19	C20K-621	Rope Guide Roller Complete Assembly	1
20	C20K-607	Boom Arm Roller Assembly	1
21	C20K-620	Complete Main Boom Folding Hinge Assembly	1
22	SP-325	24"L x 5/8"W Velcro Strap	2
23	SP-375	M18 Milwaukee Battery	1
24	SP-374	Milwaukee Inverter 110vac Plug	1
25	SP-130	Standard 110vac Footswitch with Cord	1
26	HW-431	5/8"- 1" Pin Diameter Hairpin	8
27	CK-601	Rope Roller Assembly	1
28	SP-180	1/4" Wire-Lock Clevis Pin	1
29	C20K-609	T-Brace	1
30	C20K-629	MVP20K RLT Mount	1
31	HW-256	Pin with Locking Ring, Zinc-Plated	1
32	HW-525	1/2"-13 x 2" Hex Bolt	2
33	HW-166	1/2" flat washer	4
34	HW-306	1/2"-13T Nyloc Nut	2

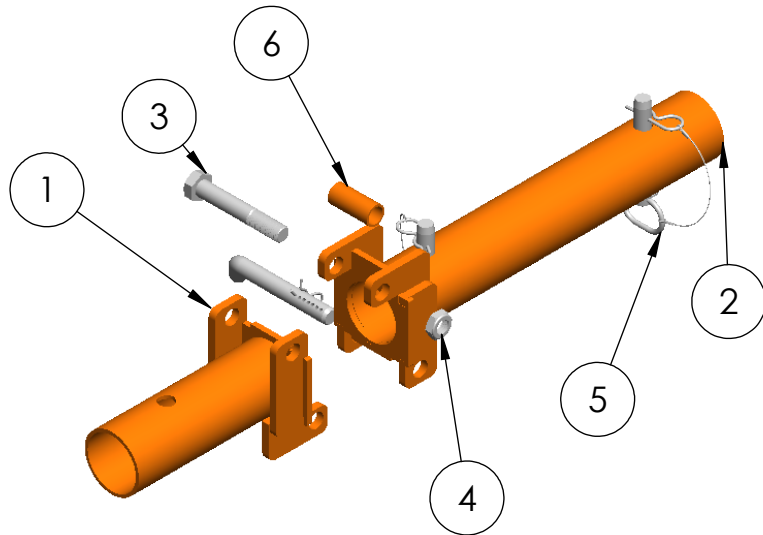


(865)670-3713

TITLE:
10 Ton Hydraulic Wire Pulling Unit

NAME	D. Jordan	DATE	2/17/2022
SIZE	DWG. NO.	REV	
A	MVP20K		
SCALE: 1:100	WEIGHT:	SHEET 3 OF 21	

C20K-620 Hinge Subassembly Breakout

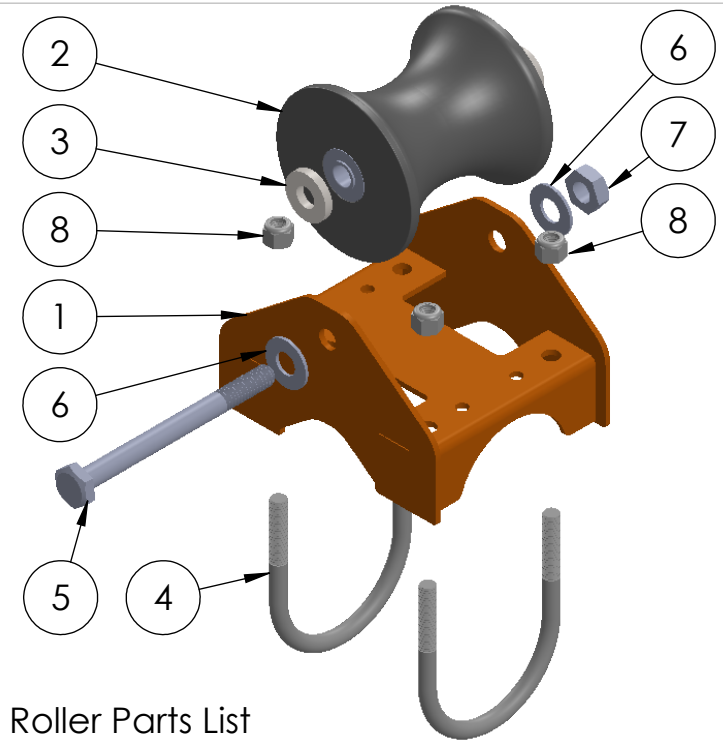


C20K-620 Parts List

ITEM NO.	PART NUMBER	DESCRIPTION	QTY.
1	C20K-474	Sliding Hinge Weldment 2 Short	1
2	C20K-475	Sliding Hinge Weldment 1	1
3	HW-419	1"-8 x 6" Hex Bolt	1
4	HW-130	1"-8 Nylock Jam Nut	1
5	HW-420	Loop-Grip Clevis Pin with Hairpin Cotter Pin	2
6	C20K-429	2.9" of BM-03 Parted off Hinge Spacer Coated	1
7	HW-418	Zinc-Plated Steel Adjustable Bent-Pull Clevis Pin	1

5

4



C20K-621 Guide Roller Parts List

ITEM NO.	PART NUMBER	DESCRIPTION	QTY.
1	C20K-477	Welded U-Bolt Roller Frame	1
2	SP-142	5" Roller	1
3	CS-401	1/4" Thick Washer	2
4	HW-417	1/2"-13 4" ID U-Bolt	2
5	HW- 177	5/8" 11T x 7" L bolt	1
6	HW-176	5/8" SAE Washer	2
7	HW-182	5/8" nyloc nut	1
8	HW-306	1/2"-13T Nyloc Nut	4

IToolCo.

(865)670-3713

TITLE:

10 Ton Hydraulic Wire Pulling Unit

NAME D. Jordan DATE 2/17/2022

SIZE DWG. NO. REV

A MVP20K

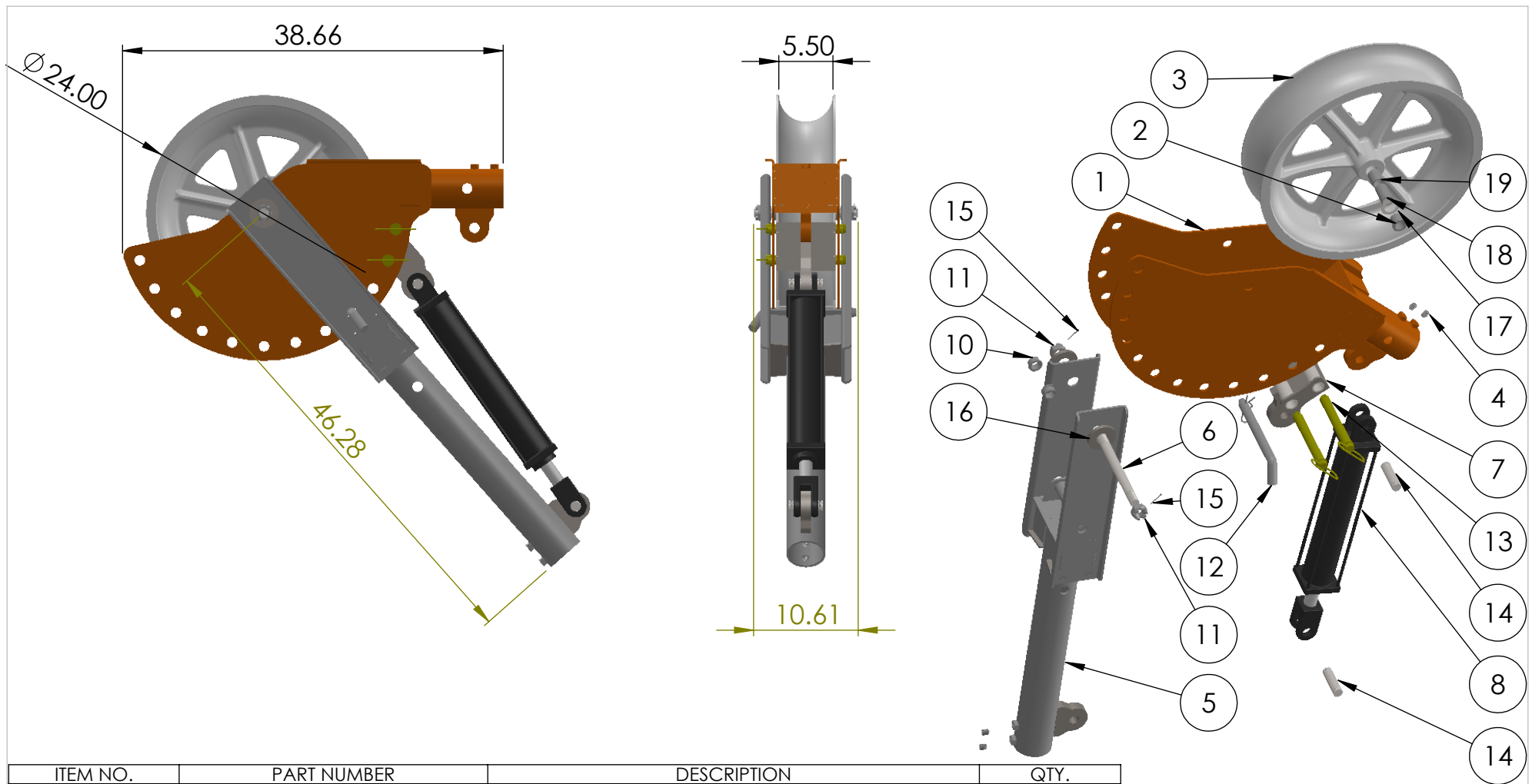
SCALE: 1:100 WEIGHT:

SHEET 4 OF 21

3

2

1



ITEM NO.	PART NUMBER	DESCRIPTION	QTY.
1	C20K-407.3	Main Roller	1
2	SP-248	1" ID x 1.25" OD Flanged Oilite	2
3	SP-290	24" Aluminum Sheave Roller	1
4	HW-305	5/8" - 11 x 3/4" Set Screw	4
5	C20K-406	Boom Arm Mid-Knuckle	1
6	C20K-155M	1" dia shaft for main roller 10.5" Long	1
7	C20K-408	Pin in Place Ram Mount	1
8	HYD-014 Cylinder	3"Bore x 16" Stroke Ram Cylinder	1
10	SP-323	1" ID x .75" L Bronze Sleeve Bearing	2
11	HW-203	1" Castle Nut	2
12	HW-426	1" Dia Bent Hitch Pin 8" Useable Length	1
13	HW-317	1 inch x 7 Hitch Pin w/ Linch Pin	2
14	SP-347 1in. Pin	1in. Diameter by 3.5 in. Pin for 20K Rams	2
15	HW-222	1/8" - 1 1/4" Cotter Pin	2
16	C20K-469	Front Knuckle Outside Spacer	2
17	C20K-456.2	1" ID Shim Washer for Main Roller	2
18	SP-367	1" ID, 1.25" OD 2" long Sleeve Bearing	1
19	SP-368	1" ID, 1.25" OD 1.5" long Sleeve Bearing	1

IToolCo.

(865)670-3713

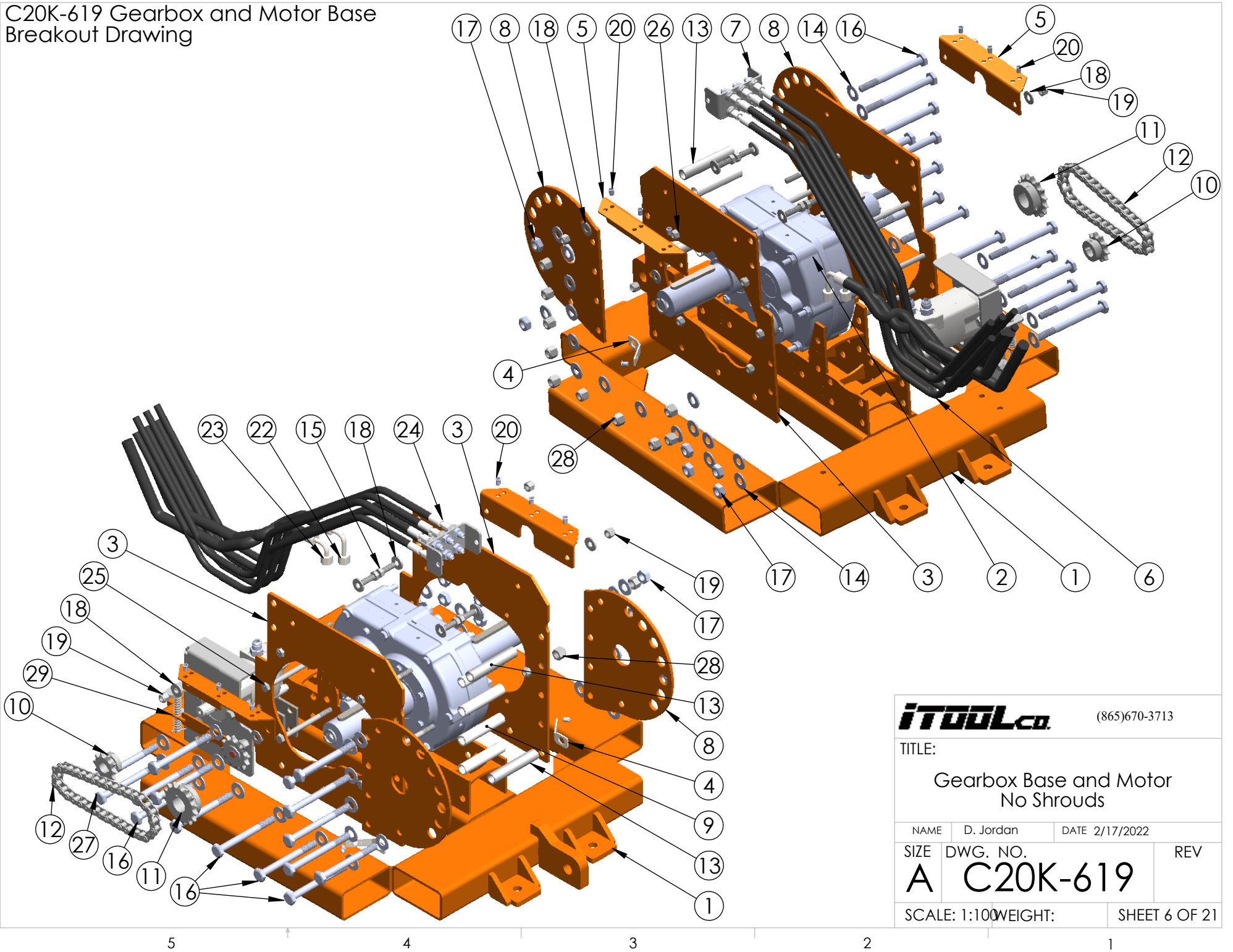
TITLE:

Main Roller Complete Assembly

NAME	D. Jordan	DATE	2/17/2022
SIZE	DWG. NO.	REV	
A	C20K-607		

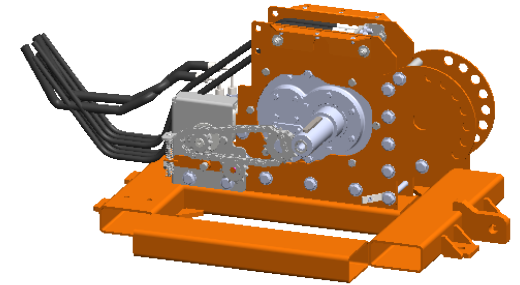
SCALE: 1:100 WEIGHT: SHEET 5 OF 21

C20K-619 Gearbox and Motor Base
Breakout Drawing



IToolCo.		(865)670-3713
TITLE: Gearbox Base and Motor No Shrouds		
NAME	D. Jordan	DATE 2/17/2022
SIZE	DWG. NO.	REV
A	C20K-619	
SCALE: 1:100		WEIGHT: SHEET 6 OF 21

ITEM NO.	PART NUMBER	DESCRIPTION	QTY.
1	C20K-401	Base	1
2	GB-007	20K Gearbox with Output Shafts	1
3	C20k-402	Coated Gearbox Bolt Side Plates	2
4	C20K-465	Shroud Bottom Bracket	2
5	C20K-430	Angle shroud brackets	2
6	C20k-409	Motor Mount Spacer Plate	3
7	C20K-625	Bulkhead Assembly	1
8	C20K-419	Base Knuckle Bolt on Sides	2
9	C20K-415	Body Spacer (4.71 BM-28)	4
10	SP-345	Motor side sprocket for 20K 1in. Shaft Dia. 10 Tooth ANSI 60	1
11	SP-346	ANSI 60 Sprocket 15Tooth 1-7/16" Bore	1
12	SP-369	ANSI 60 Chain for 20K	1
13	C20K-473	Body Spacer (5.22" of BM-28)Tube Laser Cut	2
14	HW-176	5/8" SAE Washer	32
15	HW-289	1/2"-13t x 1.5" Hex Bolt	4
16	HW-175	5/8" 11t x 6.5" Bolt	11
17	HW-182	5/8" nyloc nut	6
18	HW-166	1/2" flat washer	8
19	HW-306	1/2"-13T Nyloc Nut	4
20	HW-416	1/4"-20, .027"-.165" Material Thickness	8
21	HW-427	22mm Split Lock Washer	2
22	HYDH-008 Base End	5/8" Hose with Crimped on Long Drop 90* Female JIC Fitting	1
23	HYDH-009 Base End	5/8" Hose with Crimped on Short Drop 90* Female JIC Fitting	1
24	HYDH-003 Base End	3/8" Hose 86" Long from Valve Top Section to Top of Bulkhead	6
25	HW-429	M12 x 1.75T x 150mm Long Bolt 8.8 Grade	6
26	HW-430	M12 1.75T Nylock Nut Class 8	6
27	HW- 177	5/8" 11T x 7" L bolt	5
28	HW-411	5/8"-11 Nylock Nut	10
29	C20K-628	Motor Mount With Tensioner	1



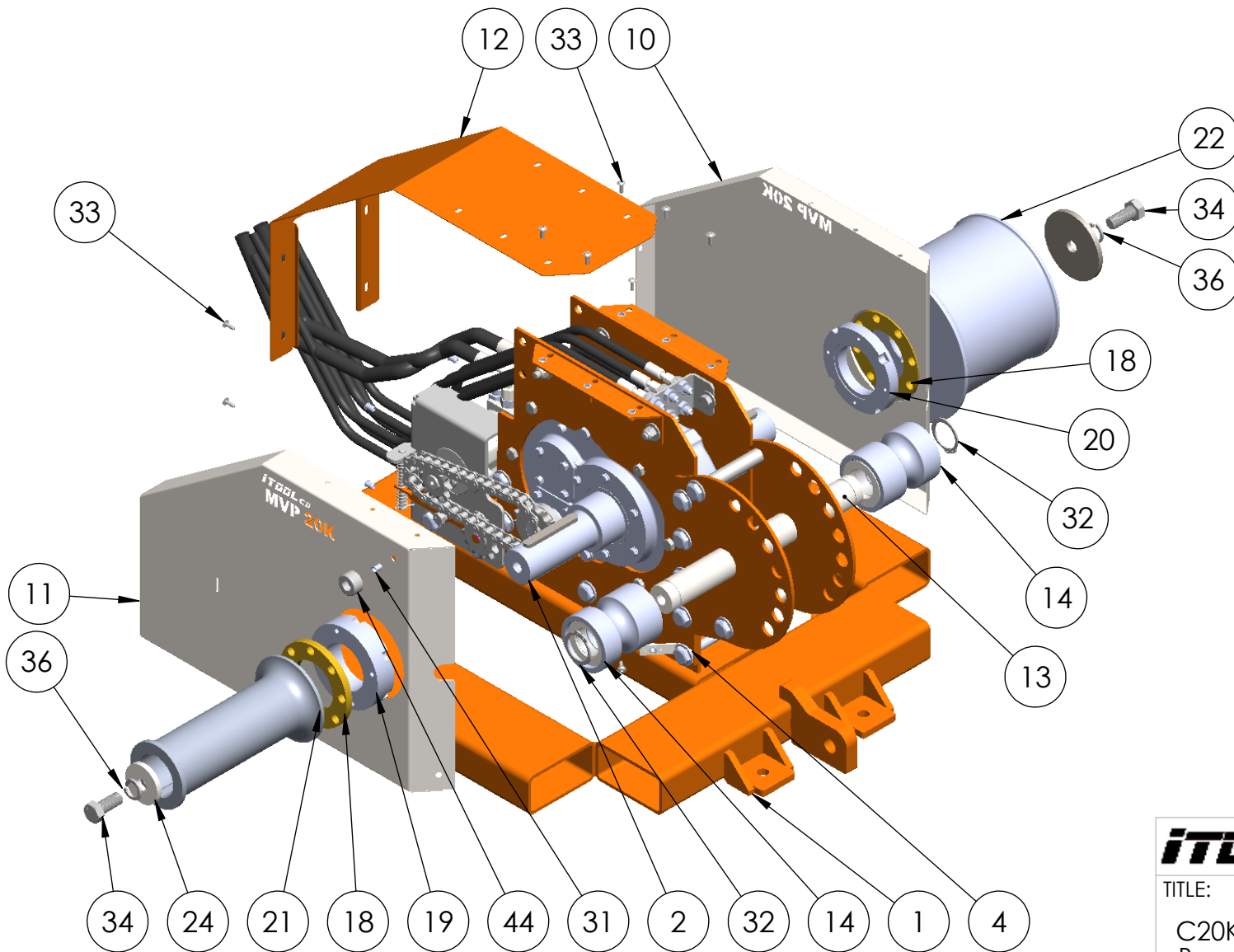
IToolco.

(865)670-3713

TITLE:

C20K-619 Gearbox and Motor Base No Shrouds Bill of Materials

NAME	D. Jordan	DATE	2/17/2022
SIZE	DWG. NO.	REV	
A	C20K-619		
SCALE: 1:100	WEIGHT:	SHEET 7 OF 21	



IToolco

(865)670-3713

TITLE:

C20K-619 Gearbox and Motor Base With Shrouds (Complete)

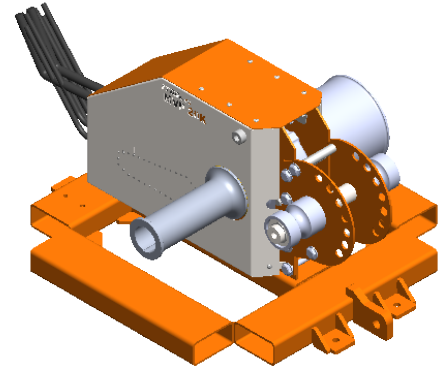
NAME	D. Jordan	DATE	2/17/2022
------	-----------	------	-----------

SIZE	DWG. NO.	REV
------	----------	-----

A C20K-619

SCALE: 1:100	WEIGHT:	SHEET 8 OF 21
--------------	---------	---------------

ITEM NO.	PART NUMBER	DESCRIPTION	QTY.
1	C20K-401	Base	1
2	GB-007	20K Gearbox with Output Shafts	1
3	C20K-402	Coated Gearbox Bolt Side Plates	2
4	C20K-465	Shroud Bottom Bracket	2
5	C20K-430	Angle shroud brackets	2
6	C20K-409	Motor Mount Spacer Plate	3
7	C20K-625	Bulkhead Assembly	1
8	C20K-419	Base Knuckle Bolt on Sides	2
9	C20K-415	Body Spacer (4.71 BM-28)	4
10	C20K-462	Left Side Shroud	1
11	C20K-461	Right Side Shroud	1
12	C20K-463	Top Shroud	1
13	C20K-136M	Rope Guide Roller Shaft	1
14	C20K-618M	Capstan Rope Guide Roller	2
15	SP-345	Motor side sprocket for 20K 1in. Shaft Dia. 10 Tooth ANSI 60	1
16	SP-346	ANSI 60 Sprocket 15Tooth 1-7/16" Bore	1
17	SP-369	ANSI 60 Chain for 20K	1
18	SP-126-20K	20K Brass Bearing	2
19	C20K-116M	High Torque Capstan Spacer	1
20	C20K-117M	High Speed Capstan Spacer	1
21	C20K-120M	20K High torque capstan	1
22	C20K-121M	20K High speed capstan	1
23	C20K-476	High Speed Capstan Washer	1
24	C20K-467	High Torque Capstan Washer	1
25	C20K-473	Body Spacer (5.22" of BM-28)Tube Laser Cut	2
26	HW-176	5/8" SAE Washer	32
27	HW-175	5/8" 11t x 6.5" Bolt	11
28	HW-182	5/8" nyloc nut	6
29	HW-166	1/2" flat washer	8
30	HW-306	1/2"-13T Nyloc Nut	4
31	HW-416	1/4"-20, .027"-.165" Material Thickness	13
32	HW-288	2" HD EXTERNAL RETAINING RING	2
33	HW-404	1/4"-20 x .75 Flanged Rounded Head Screw	12
34	HW-409	M22 x 1.5mm x 50mm Class 10.9 Hex Bolt	2
35	HYDF-011	Parker 10 F5OX-S 5/8 Male ORB to 5/8 Male JIC Adapter	2
36	HW-427	22mm Split Lock Washer	2
37	HYDH-008 Base End	5/8" Hose with Crimped on Long Drop 90° Female JIC Fitting	1
38	HYDH-009 Base End	5/8" Hose with Crimped on Short Drop 90° Female JIC Fitting	1
39	HYDH-003 Base End	3/8" Hose 86" Long from Valve Top Section to Top of Bulkhead	6
40	HW-429	M12 x 1.75T x 150mm Long Bolt 8.8 Grade	6
41	HW-430	M12 1.75T Nylock Nut Class 8	6
42	HW- 177	5/8" 11T x 7" L bolt	5
43	HW-411	5/8"-11 Nylock Nut	10
44	HW-434	1/4"-20 Threaded-Stud Bumper	1
45	C20K-628	Motor Mount With Tensioner	1
46	HW-289	1/2"-13t x 1.5" Hex Bolt	4



ITool.co

(865)670-3713

TITLE:

C20K-619 Gearbox and Motor Base
Complete Bill of Materials

NAME	D. Jordan	DATE	2/17/2022
------	-----------	------	-----------

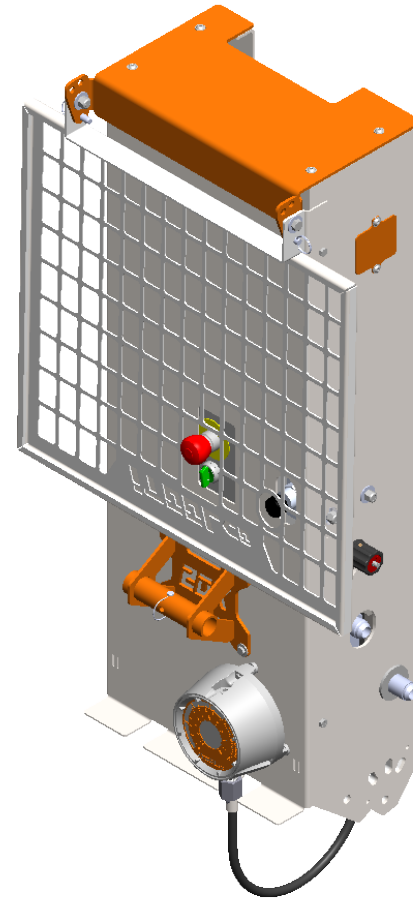
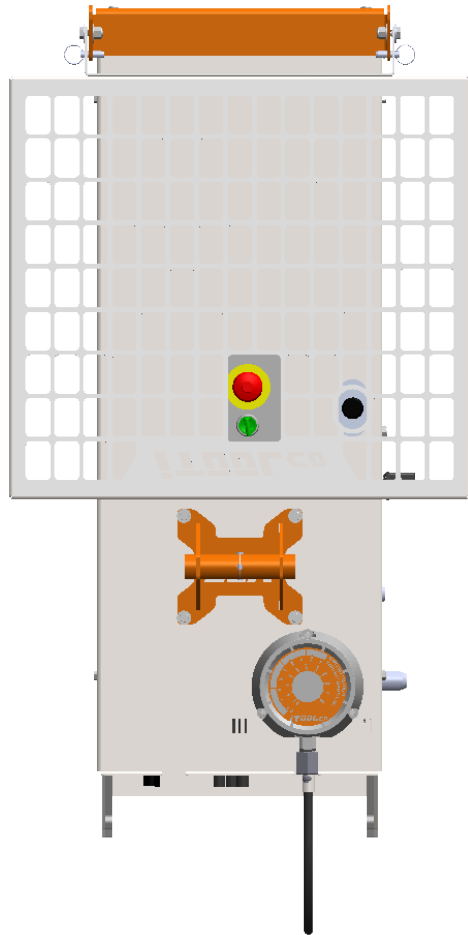
SIZE	DWG. NO.
------	----------

A	C20K-619
----------	-----------------

SCALE: 1:100WEIGHT:

SHEET 9 OF 21

C20K-612 Complete Control Tower Assembled



IToolCo.

(865)670-3713

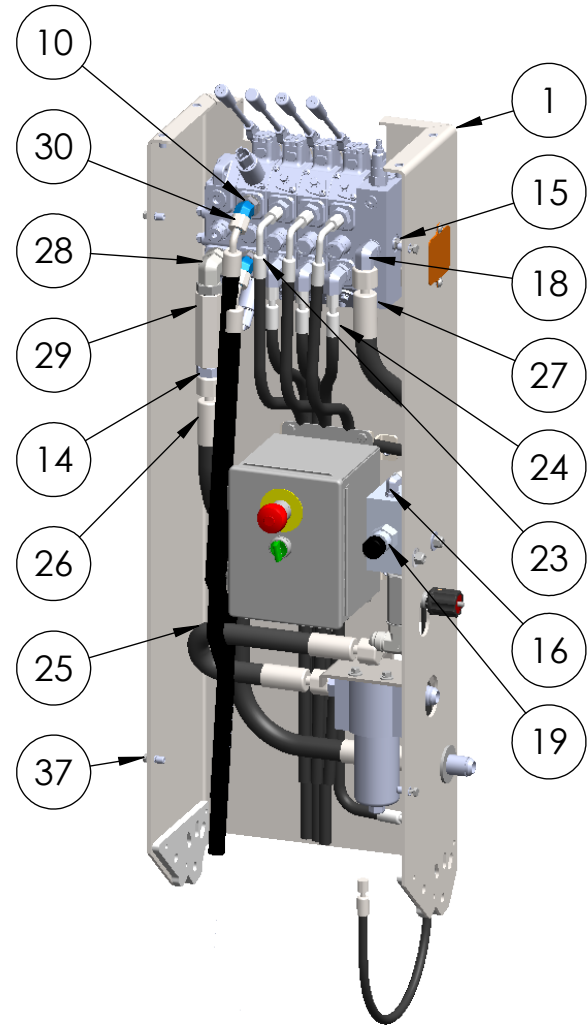
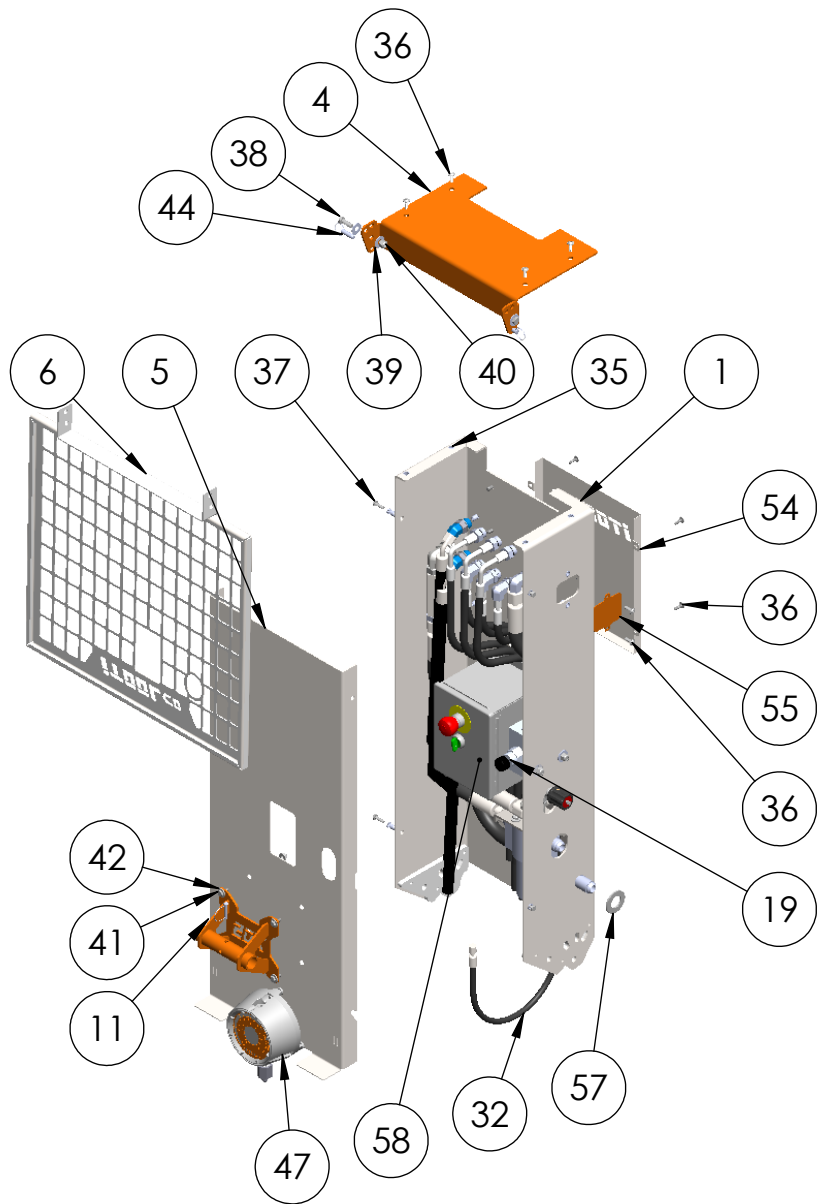
TITLE:

C20K-612 Control Tower Assembly
Complete

NAME	D. Jordan	DATE	2/17/2022
------	-----------	------	-----------

SIZE	DWG. NO.	REV
A	C20K-612	

SCALE: 1:100	WEIGHT:	SHEET 10 OF 21
--------------	---------	----------------



IToolCo.

(865)670-3713

TITLE:

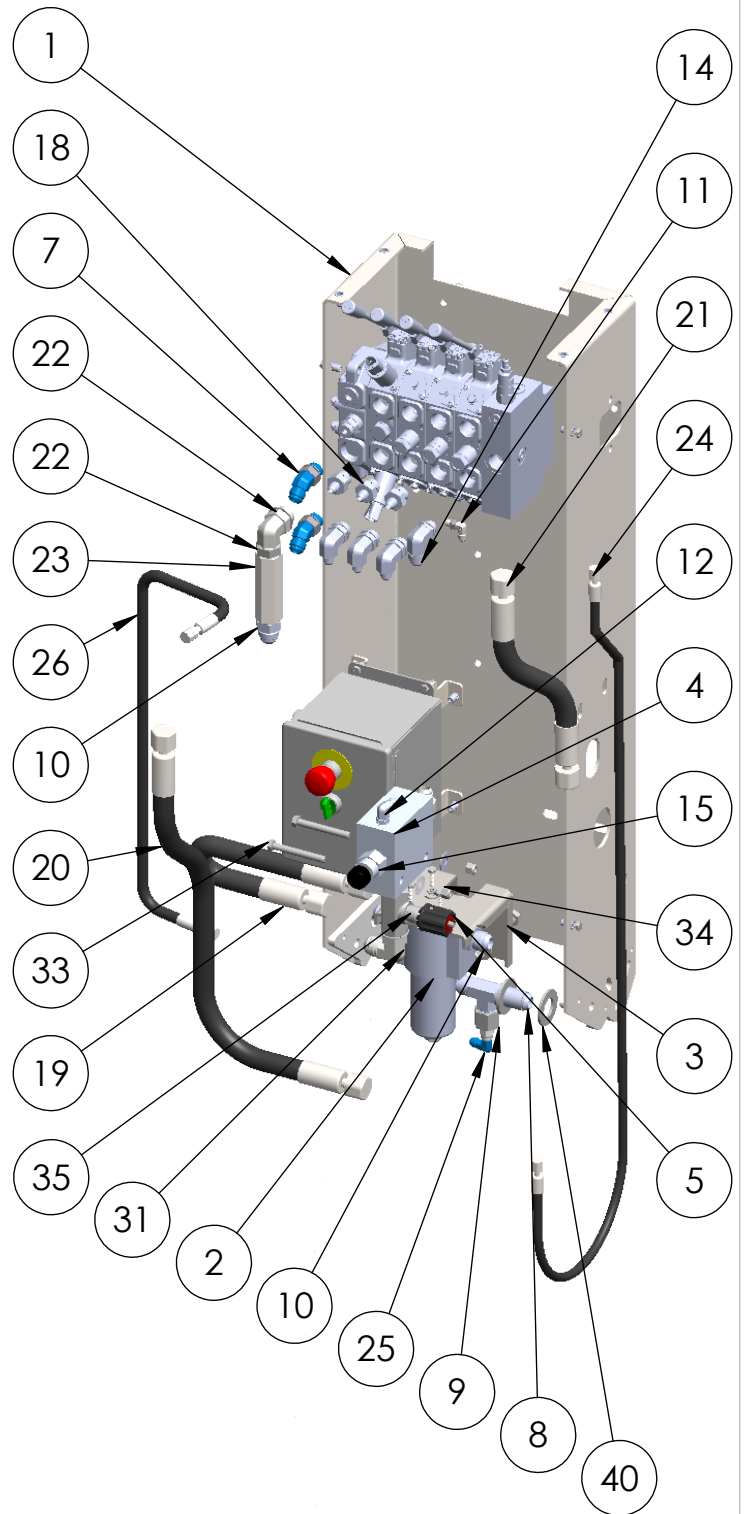
C20K-612 Control Tower Assembly
Shrouds and No shroud Breakout

NAME	D. Jordan	DATE	2/17/2022
SIZE	DWG. NO.	REV	
A	C20K-612		
SCALE: 1:100	WEIGHT:	SHEET 11 OF 21	

C20K-612 Control Tower Assembly Complete Bill of Materials

ITEM NO.	PART NUMBER	DESCRIPTION	QTY.
1	C20K-452.3	Control Tower Frame with Reinforced Mounting Plates	1
2	HYD-007	Hydraulic Pressure Filter	1
3	C20K-431	Oil Filter Bracket	1
4	C20K-451	Stack Valve Bolt on top Plate	1
5	C20K-454	Control Tower Cover	1
6	C20K-460	Cab Protection Grate	1
7	HYD-005	Sandwich Body T-17A Cavity	1
8	HYD-012	Needle Flow Control Valve	1
9	HYDF-014	Parker 10-12_c5ox-s 1-1/16" ORB Male to 5/8" JIC Male 90° Fitting	1
10	HYDF-024	Parker 10_V5OX-S 5/8" Male ORB to 5/8" Male JIC 45°	2
11	C20K-466	Protection Grid	1
12	HYDF-025	12_WJTX-S 3/4" JIC BulkHead Tee	1
13	HYDF-026	Parker 12-6_TRTXN-S 3/4" JIC Female to 3/8" JIC Male Reducer	1
14	HYDF-027	Parker 12_F5OX-S 3/4" ORB male to 3/4" JIC Male Adapter	3
15	HYD-028	Parker 4-3 C5OX 3/8" Male ORB to 1/4" JIC Male 90°	1
16	HYDF-029	Parker 6_c5ox-s 3/8" Male ORB to 3/8" male JIC 90°	1
17	HYDF-031	Parker 6-10_c5ox-s 5/8" Male ORB to 3/8" JIC Male 90°	3
18	HYDF-015	Parker 10-8_C5OX-S 5/8" Male JIC to 3/4" ORB Male 90° Fitting	1
19	HYD-008	Cartridge Style pressure relieving valve	1
20	HW-357	5/16" Flat Washer	4
21	HW-413	5/16"-18 x 3/4" Hex Head Bolt	4
22	HYDF-030	Parker 6-10 F5OX-S 5/8" Male ORB to 3/8" Male JIC Adapter	3
23	HYDH-003 Tower End	Valve to Bulkhead 3/8" 86" Length with 90	3
24	HYDH-002 Tower End	Valve to Bulkhead 3/8" 84" Length	3
25	HYDH-010	Filter to Flow Control 3/4" 18" Length	1
26	HYDH-011	Valve T Port to Bulkhead Tee 3/4" 40" Length	1
27	HYDH-012	Pressure control to Main Valve P 3/4" 18" Length	1
28	HYDF-039	Parker 12 3/4" Male ORB to 3/4" Male ORB 90°	1
29	HYD-010	Check Valve 3/4"	1
30	HYDH-009 Tower End	Valve to Motor port 2 5/8" 58" Length	1
31	HYDH-008 Tower End	Valve to Motor port 1 5/8" 58" Length	1
32	HYDH-001	Gauge Hose 1/4" x 72" Length	1
33	HYDF-040	Parker 6 C6X-S 3/8" JIC 90	1
34	HYDH-014	Pressure Red. Valve to BulkH Tee 3/8" 40" Length	1
35	HW-403	1/4"-20 Rivet Nut	14
36	HW-404	1/4"-20 x .75 Flanged Rounded Head Screw	14
37	HW-120	1/4"-20t x 7/8" hex bolt	7
38	HW-394	3/8"-16 x 1" Hex Bolt	2
39	HW-146	3/8" Washer	8
40	HW-150	3/8 16T x nyloc nut	2
41	HW-388	1/4"-20 x 3/4" Hex Bolt	4
42	HW-126	1/4" flat washer	11
43	HW-128	1/4 20 Nyloc nut	4
44	HW-412	3/8" Diameter, 1/2" Usable Ring-Grip Quick-Release Pin	2
45	HYDF-012	Parker 12_F5OHAO-S 3/4" ORB Male Nipple	1
46	HYDF-033	Parker 12_C5OX-S 3/4" Male ORB to 3/4" Male JIC 90°	1
47	C20K-626	Pressure Guage Assembly	1
48	HW-142	3/8" 16t X 3" Hex Bolt	2
49	HW-150	3/8"-16T Nylock Hex	2
50	HW-166	1/2" flat washer	4
51	HW-289	1/2"-13t x 1.5" Hex Bolt	2
52	HW-168	1/2" 13t Nyloc Jam Nut	2
53	HW-124	1/4" Split Lock Washer	3
54	C20K-424	Manual Frame	1
55	C20K-492	Access Panel Cover Coated	1
56	HW-250	.25 Hitch Pin	1
57	HW-200	1" Flat Washer	2
58	C20K-630	Assembled Electrical Box, Ready for install	1

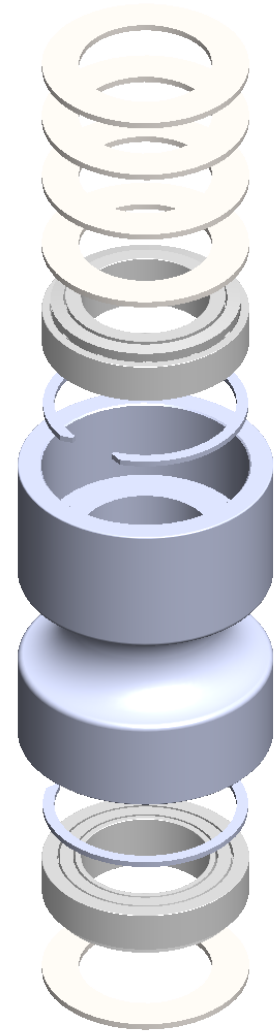
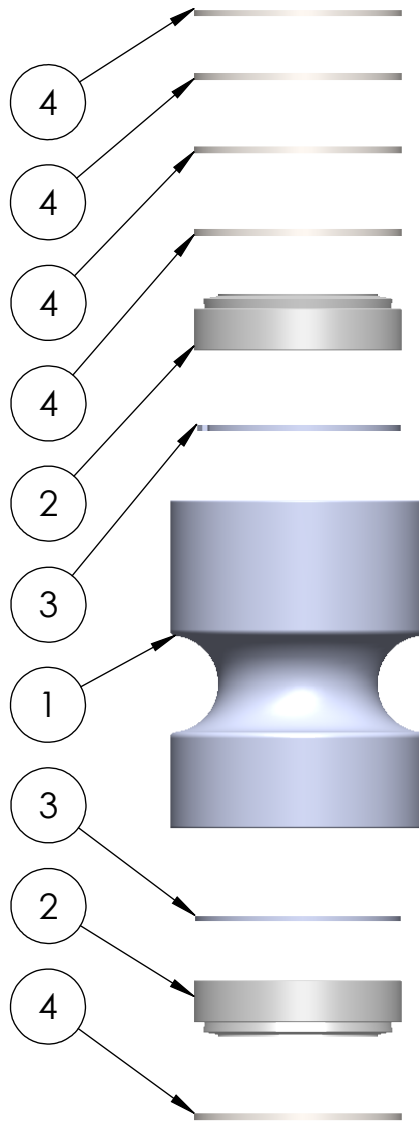
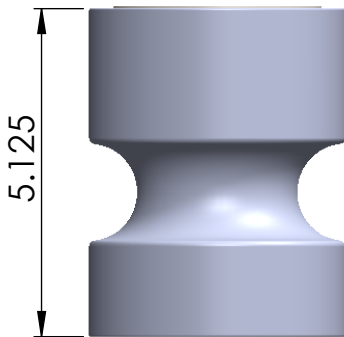
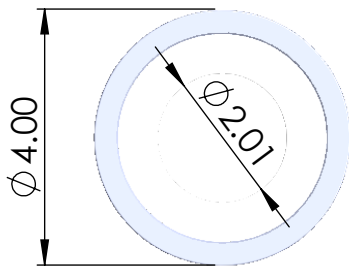
ITEM NO.	PART NUMBER	DESCRIPTION	QTY.
1	C20K-452.3	Control Tower Frame with Reinforced Mounting Plates	1
2	HYD-007	Hydraulic Pressure Filter	1
3	C20K-431	Oil Filter Bracket	1
4	HYD-005	Sandwich Body T-17A Cavity	1
5	HYD-012	Needle Flow Control Valve	1
6	HYDF-014	Parker 10-12_c50x-s 1-1/16" ORB Male to 5/8" JIC Male 90° Fitting	1
7	HYDF-024	Parker 10_V5OX-S 5/8" Male ORB to 5/8" Male JIC 45°	2
8	HYDF-025	12_WJTX-S 3/4" JIC BulkHead Tee	1
9	HYDF-026	Parker 12-6_TRTXN-S 3/4" JIC Female to 3/8" JIC Male Reducer	1
10	HYDF-027	Parker 12_F5OX-S 3/4" ORB male to 3/4" JIC Male Adapter	3
11	HYD-028	Parker 4-3_C5OX 3/8" Male ORB to 1/4" JIC Male 90°	1
12	HYDF-029	Parker 6_c50x-s 3/8" Male ORB to 3/8" male JIC 90°	1
13	HYDF-031	Parker 6-10_c50x-s 5/8" Male ORB to 3/8" JIC Male 90°	3
14	HYDF-015	Parker 10-8_C5OX-S 5/8" Male JIC to 3/4" ORB Male 90° Fitting	1
15	HYD-008	Cartridge Style pressure relieving valve	1
16	HW-357	5/16" Flat Washer	4
17	HW-413	5/16"-18 x 3/4" Hex Head Bolt	4
18	HYDF-030	Parker 6-10_F5OX-S 5/8" Male ORB to 3/8" Male JIC Adapter	3
19	HYDH-010	Filter to Flow Control 3/4" 18" Length	1
20	HYDH-011	Valve T Port to Bulkhead Tee 3/4" 40" Length	1
21	HYDH-012	Pressure control to Main Valve P 3/4" 18" Length	1
22	HYDF-039	Parker 12_3/4" Male ORB to 3/4" Male ORB 90°	1
23	HYD-010	Check Valve 3/4"	1
24	HYDH-001	Gauge Hose 1/4" x 72" Length	1
25	HYDF-040	Parker 6_C6X-S 3/8" JIC 90	1
26	HYDH-014	Pressure Red. Valve to BulkH Tee 3/8" 40" Length	1
27	HW-403	1/4"-20 Rivet Nut	8
28	HW-404	1/4"-20 x .75 Flanged Rounded Head Screw	4
29	HW-120	1/4"-20t x 7/8" hex bolt	7
30	HYDF-012	Parker 12_F5OHAO-S 3/4" ORB Male Nipple	1
31	HYDF-033	Parker 12_C5OX-S 3/4" Male ORB to 3/4" Male JIC 90°	1
32	HW-146	3/8" Washer	4
33	HW-142	3/8" 16t X 3" Hex Bolt	2
34	HW-150	3/8"-16T Nylock Hex	2
35	HW-126	1/4" flat washer	3
36	HW-166	1/2" flat washer	4
37	HW-289	1/2"-13t x 1.5" Hex Bolt	2
38	HW-168	1/2" 13t Nyloc Jam Nut	2
39	HW-124	1/4" Split Lock Washer	3
40	HW-200	1" Flat Washer	2
41	C20K-630	Assembled Electrical Box, Ready for install	1
42	2904606.step	Hydraulic Stack Valve	1



ITool.co (865)670-3713

TITLE:
C20K-612 Control Tower Assembly
No shrouds BOM and parts Breakout

NAME	D. Jordan	DATE	2/17/2022
SIZE	DWG. NO.		
A		C20K-612	
SCALE: 1:100	WEIGHT:	SHEET 13 OF 21	



Add Shims. Adjust to .030 (+-0.010) of slop

ITool.co (865)670-3713

TITLE:

Complete Rope Guide Roller Assembly

NAME D. Jordan DATE 2/17/2022

SIZE DWG. NO.

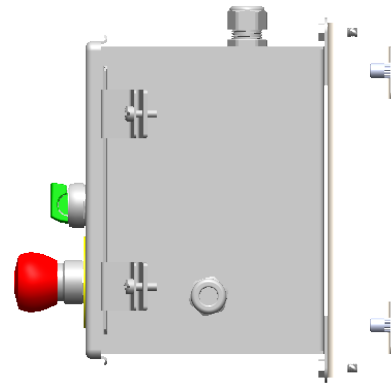
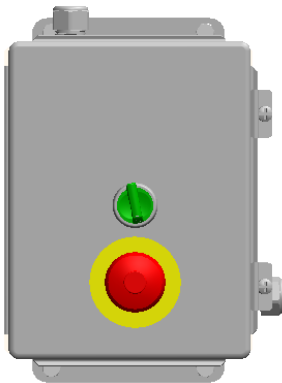
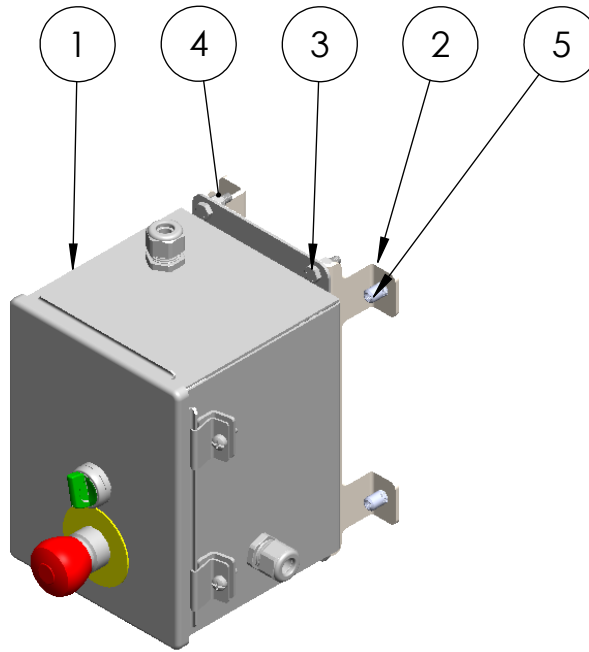
A C20K-618M

SCALE: 1:100 WEIGHT:

SHEET 14 OF 21

ITEM NO.	PART NUMBER	DESCRIPTION	QTY.
1	C20K-118M	Guide Roller	1
2	SP-132.2	2" Axle Bearing	2
3	HW-214	spacer ring	2
4	RJ-405	Dust Cover	5

C20K-624 Complete Electrical Box Assembly With Wiring and Plugs (Not Shown)

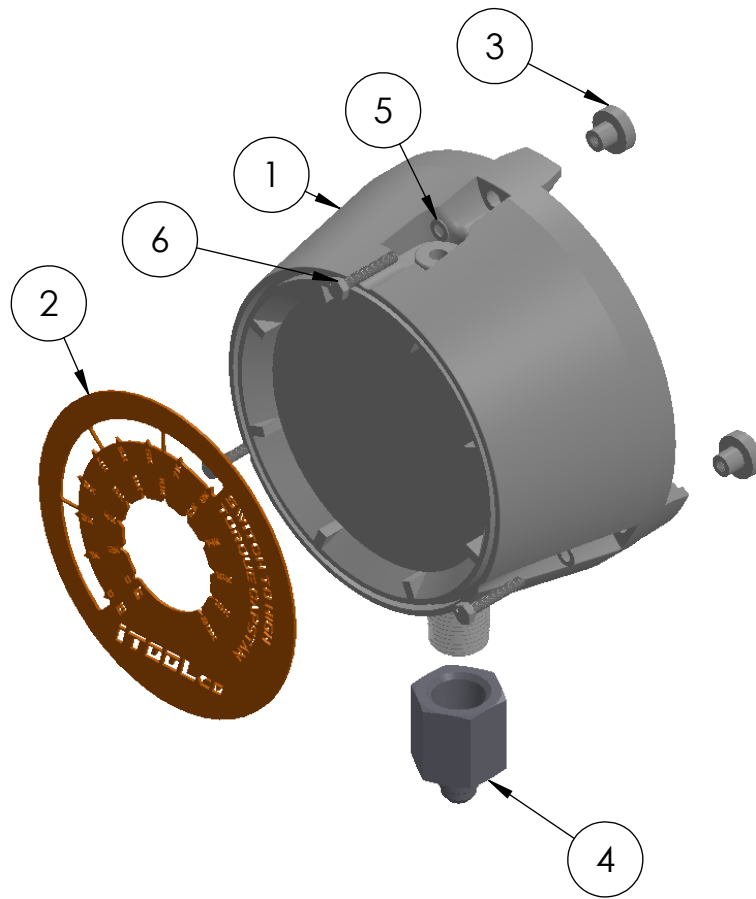
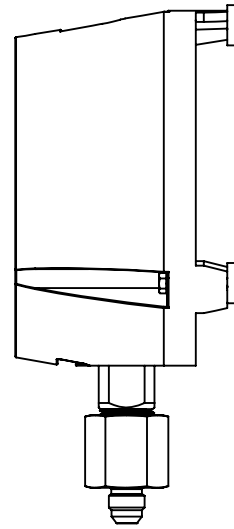
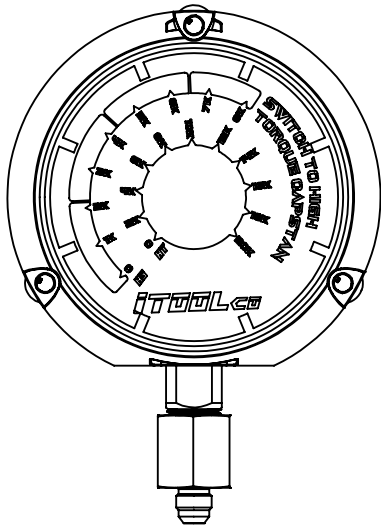


ITEM NO.	PART NUMBER	DESCRIPTION	QTY.
1	C20K-624	Assembled Electrical Box, Ready for install	1
2	C20K-457	Electrical Box Mount	1
3	HW-120	1/4" 20T x 7/8" Long Hex Cap Bolt	4
4	HW-128	1/4"-20 Nylock Nut	4
5	HW-403	1/4"-20 Rivet Nut	4

ITool.co (865)670-3713

TITLE: Complete Power Supply Box (cords and plugs not shown)

NAME	D. Jordan	DATE	2/17/2022
SIZE	DWG. NO.		
A	C20K-630		
SCALE: 1:100	WEIGHT:	SHEET 15 OF 21	



iTOOL.co

(865)670-3713

TITLE:

C20K-626 Pressure Gauge Assembly

NAME D. Jordan

DATE 2/17/2022

SIZE DWG. NO.

A MVP20K

SCALE: 1:100

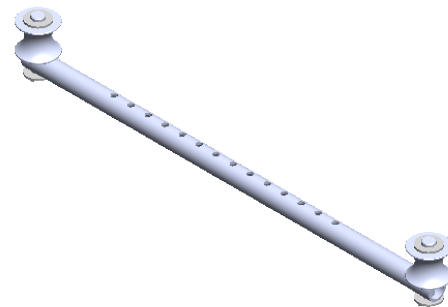
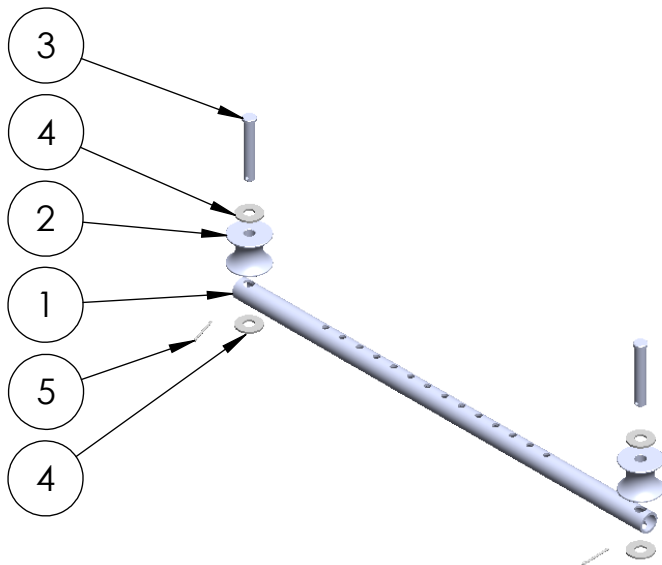
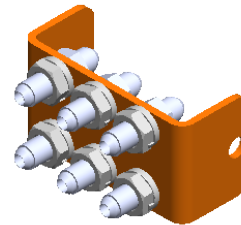
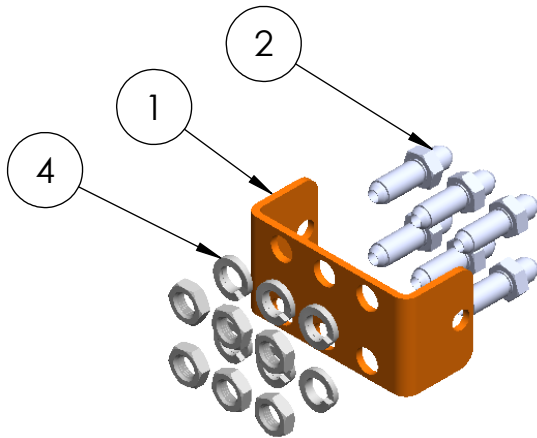
WEIGHT:

SHEET 16 OF 21

ITEM NO.	PART NUMBER	DESCRIPTION	QTY.
1	HYD-002	Large Gauge 0-3000 psi	1
2	C20K-488	Coated Gauge Faceplate	1
3	HW-423	Encased Magnet	3
4	HYDF-041	Parker 6-8 GTX-S 3/8 JIC Male to 1/2 NPT Female	1
5	HW-425	M4 Washer	3
6	HW-424	M4-0.7mm x 25mm Hex Bolt	3

C20K-625

ITEM NO.	PART NUMBER	DESCRIPTION	QTY.
1	C20K-458	Hose Bulkhead	1
2	HYDF-008	6_WTX-S 3/8" Male JIC Bulkhead Fitting with Nut	6
4	HW-466	9/16" Split Washer	6



CK-601

ITEM NO.	PART NUMBER	DESCRIPTION	QTY.
1	C10K-423	Rope roller tube	1
2	SP-109	Rope roller	2
3	HW-254	1/2" X 3"L Clevis pin	2
4	HW-166	1/2" flat washer	4
5	HW-222	1/8" - 1 1/4" Cotter Pin	2

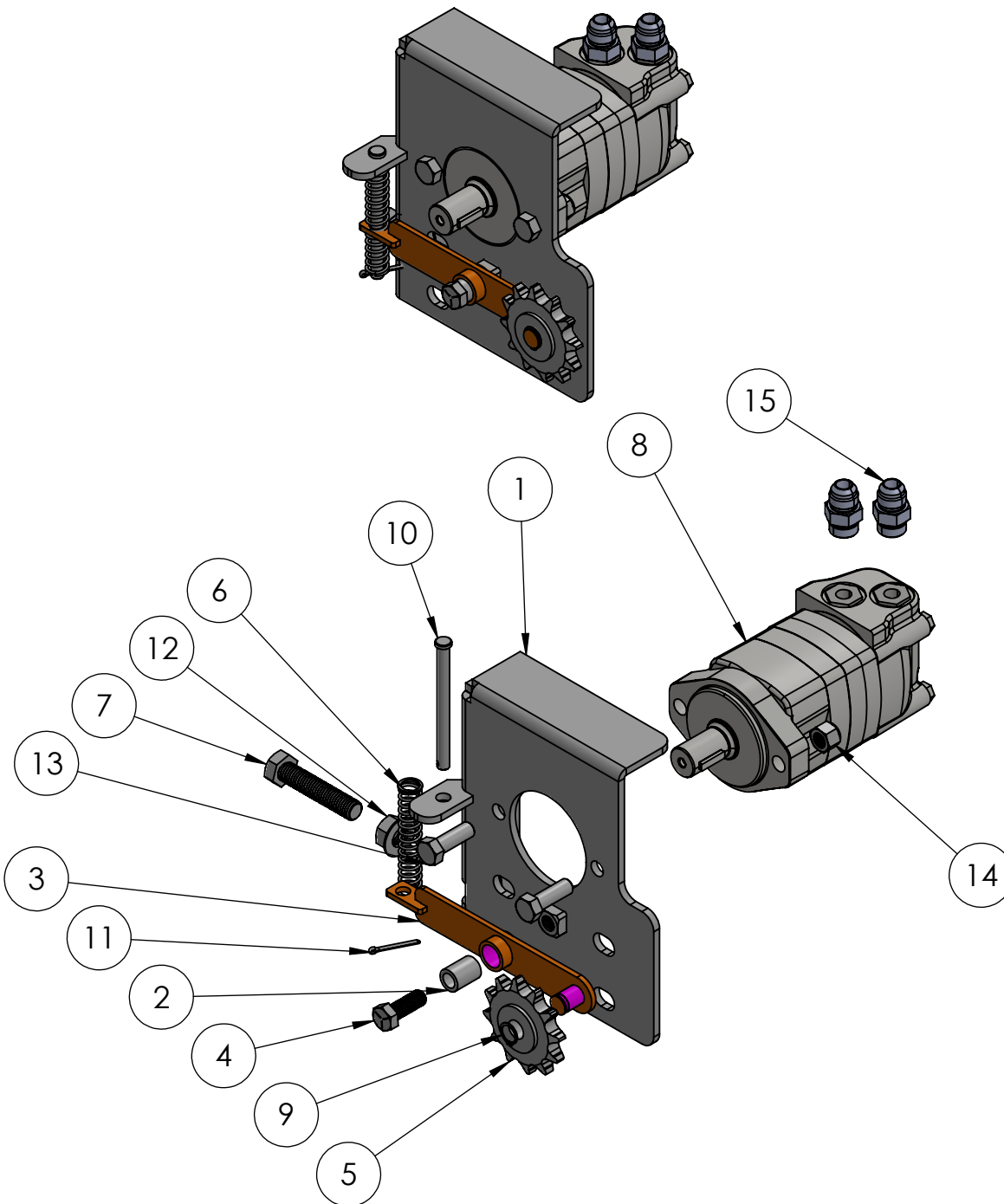
ITool.co (865)670-3713

TITLE: C20K-625 Bulkhead & CK-601 Rope Roller

NAME: D. Jordan DATE: 2/17/2022

SIZE: A DWG. NO. MVP20K

SCALE: 1:100 WEIGHT: SHEET 17 OF 21



ITEM NO.	PART NUMBER	DESCRIPTION	QTY.
1	C20K-455.2	Motor Mount	1
2	SP-259	1/2" Shaft, 3/4" OD, 1" Long Sleeve Bearing	1
3	C20K-423	Chain Tensioner	1
4	HW-437	1/2"-13, 1.375" Hex Bolt	1
5	SP-260	Idler Sprocket, #60 Chain, 12 Teeth, 5/8" Shaft Dia	1
6	SP-258	4" Long, 0.72"OD, 0.55"ID 0.085" Wire Dia	1
7	HW-405	5/8"-11 x 3" Fully Threaded Hex Bolt	1
8	HYD-001	Rex Roth Hydraulic Motor 20K	1
9	HW-436	5/8" OD External Retaining Ring	1
10	HW-435	3/8" OD, 4.25" Usable Clevis Pin	1
11	HW-222	1/8" - 1 1/4" Cotter Pin	1
12	HW-406	5/8"-11 Flange Nut	1
13	HW-289	1/2"-13 $\frac{1}{2}$ x 1.5" Hex Bolt	2
14	HW-306	1/2"-13T Nyloc Nut	2
15	HYDF-011	Parker 10 F5OX-S 5/8 Male ORB to 5/8 Male JIC Adapter	2

IToolCo.

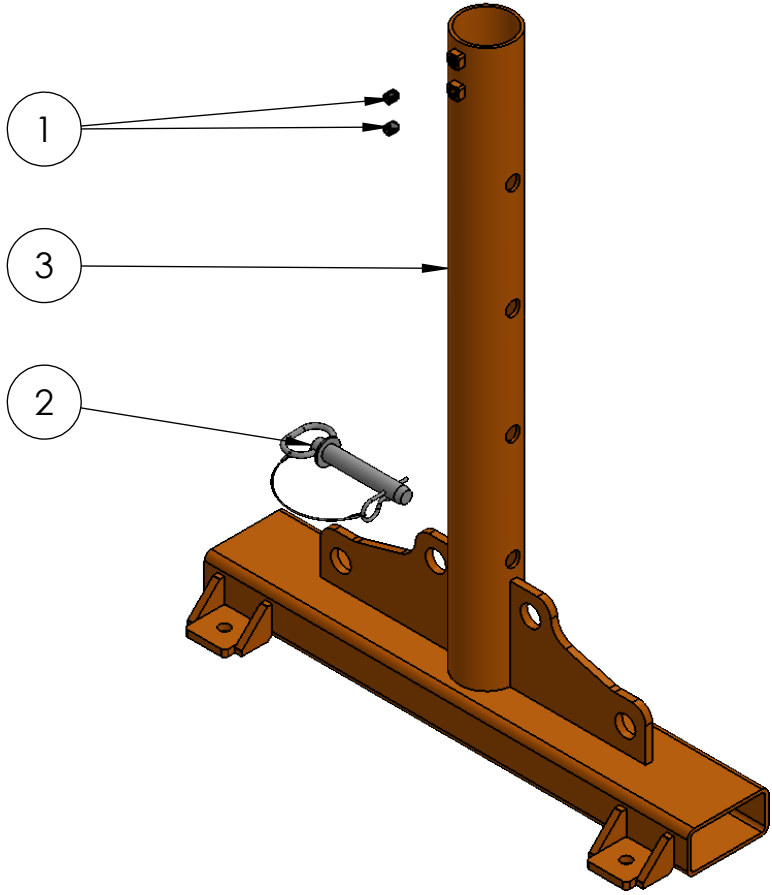
(865)670-3713

TITLE:

C20K-628 Motor Mount
And Tensioner Assembly

NAME	D. Jordan	DATE	6/23/2022
SIZE	DWG. NO.	REV	
A	MVP20K		
SCALE: 1:100	WEIGHT:	SHEET 18 OF 21	

ITEM NO.	PART NUMBER	DESCRIPTION	QTY.
1	HW-305	5/8"- 11 x 3/4" Set Screw	2
2	HW-420	Loop-Grip Clevis Pin with Hairpin Cotter Pin	1
3	C20K-411	T-Base	1

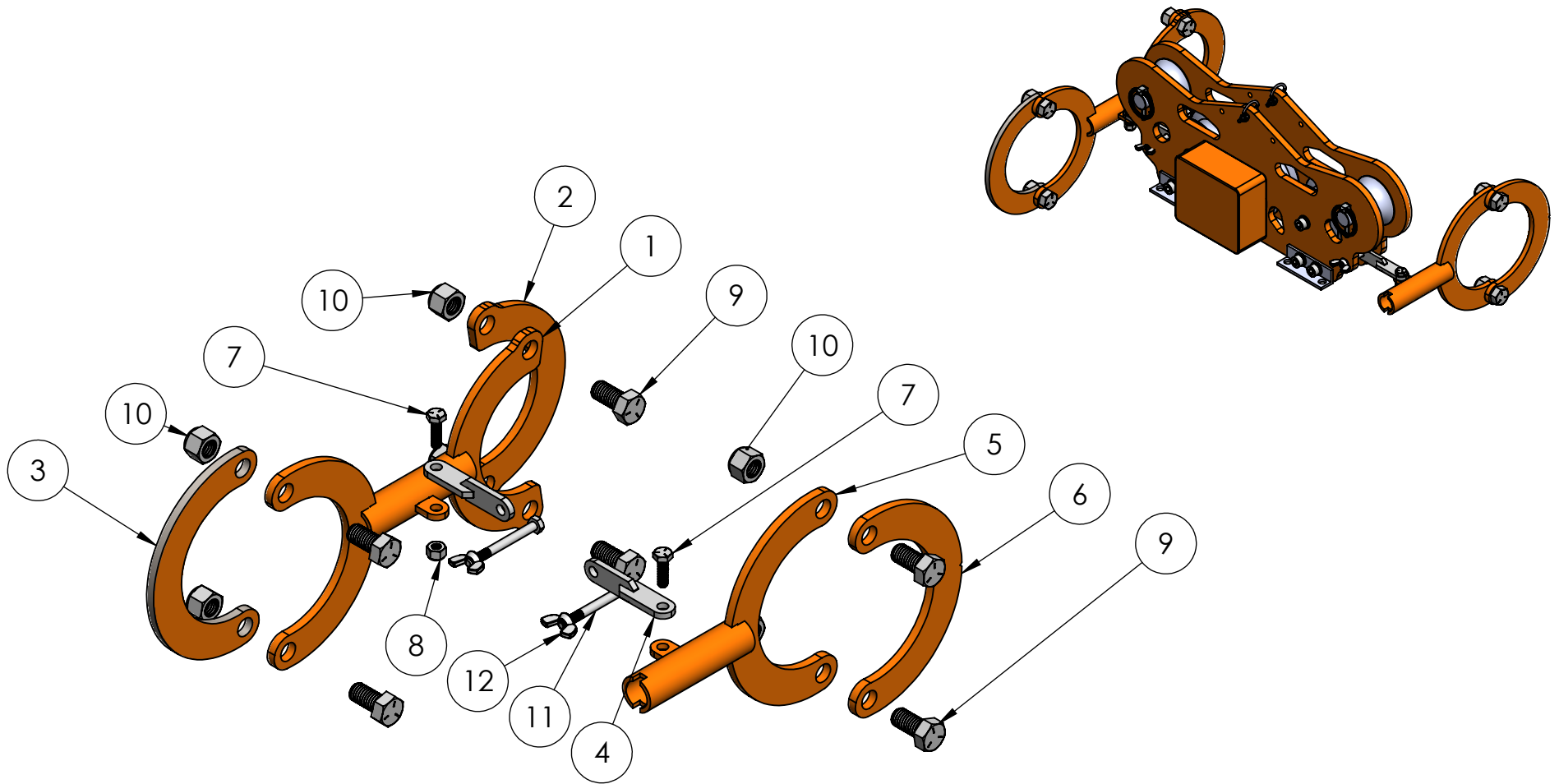


IToolCo. (865)670-3713

TITLE:

T-Base

NAME	D. Jordan	DATE	6/28/2022
SIZE	DWG. NO.	REV	
A	MVP20K		
SCALE: 1:100	WEIGHT:	SHEET 19 OF 21	



ITEM NO.	PART NUMBER	DESCRIPTION	QTY.
1	C20K-420.2	Leading RLT Mount	1
2	C20K-426	Extension Claps	1
3	C20K-425	T-Brace Clasp	1
4	RLT-413	Linkage	2
5	C20K-428	RLT C20K Trailing Mount	1
6	C20K-427	T-Brace Clasp	1
7	HW-120	1/4" 20T x 7/8" Long Hex Cap Bolt	2
8	HW-128	1/4"-20 Nylock Nut	2
9	HW-290	1/2"-13t x 1" Hex CAP SCREW	6
10	HW-168	1/2" 13t Nyloc Jam Nut	6
11	HW-464	M6 x 1mm, 60mm Long Class 8.8 Steel Hex Bolt	2
12	HW-463	M6 x 1mm Wing Nut	2

IToolCo.

(865)670-3713

TITLE:

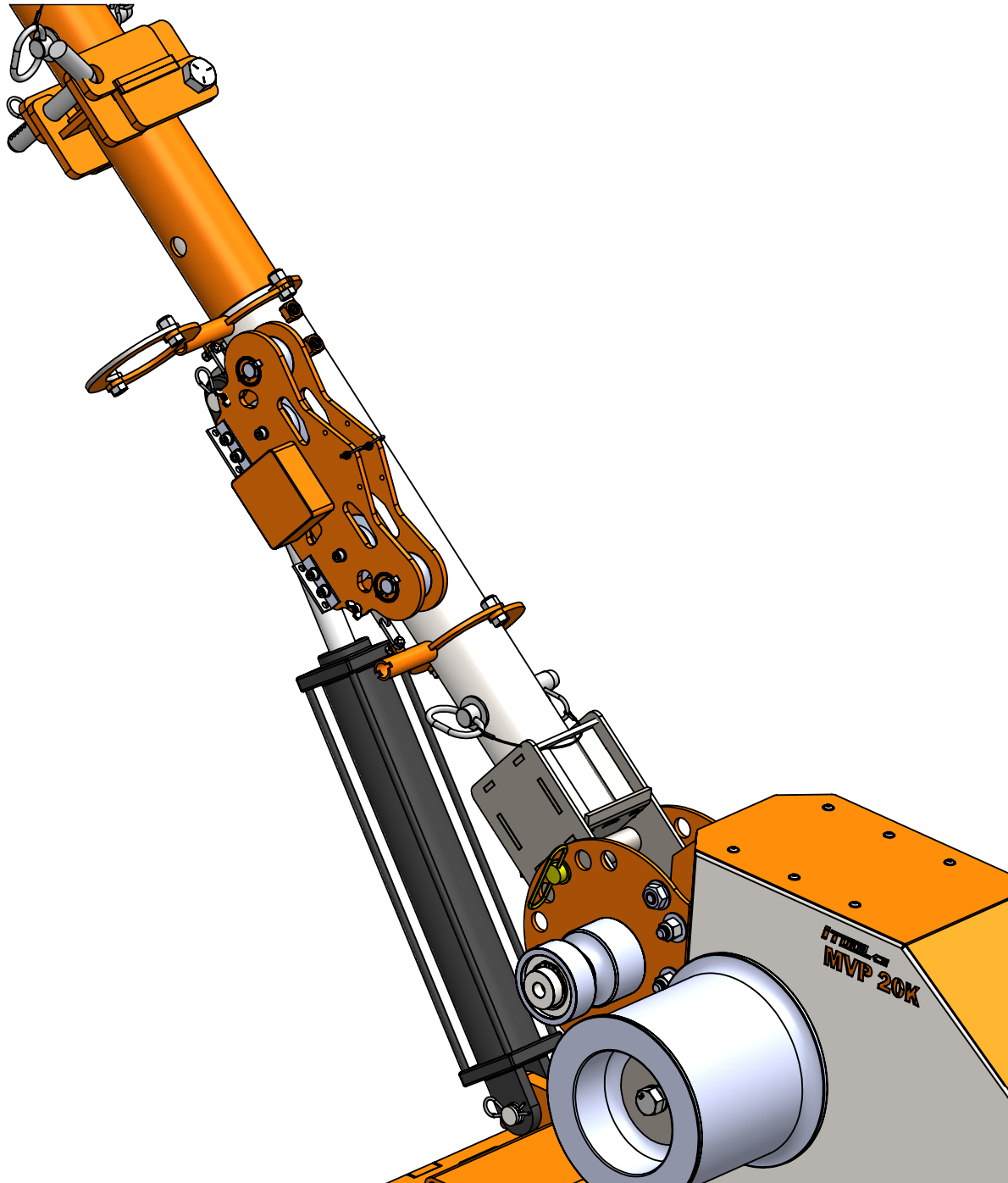
C20K-629 RLT Mount

NAME D. Jordan DATE 3/29/2023

SIZE DWG. NO. REV

A MVP20K

SCALE: 1:100 WEIGHT: SHEET 20 OF 21



ITOOL co.		(865)670-3713	
TITLE:			
SPRLT20K AS MOUNTED			
NAME	S. Strand	DATE	7/6/23
SIZE	DWG. NO.	REV	
A	MVP20K		
SCALE: 1:5	WEIGHT:	SHEET 21 OF 21	

5

4

3

2

1