

7 Individual 3" Diameter Steel
Rollers with Heavy Duty Bearings
across 90 Degree Angle at a 12"
Radius

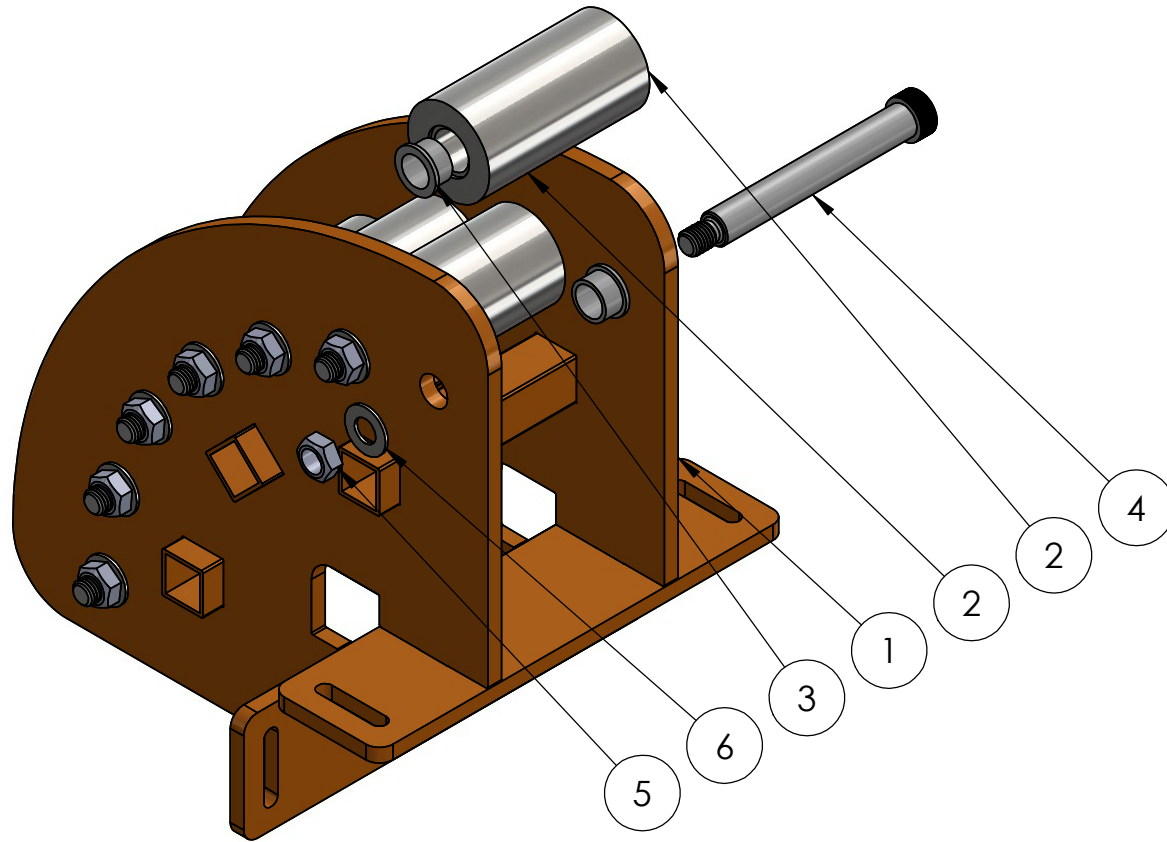
IToolCo.

(865)670-3713

TITLE:

20,000lb capacity Curb Roller

NAME	D. Jordan	DATE	2/22/23
SIZE	DWG. NO.	REV	
A	CR20		
SCALE: 1:10	WEIGHT:	SHEET 1 OF 2	



IToolCo.

(865)670-3713

TITLE:

20,000lb capacity Curb Roller

NAME E. James DATE 2/22/23

SIZE DWG. NO. REV
A **CR20**

SCALE: 1:10 WEIGHT: SHEET 2 OF 2

ITEM NO.	PART NUMBER	DESCRIPTION	QTY.
1	CR20-401	Welded Frame for Curb Roller 20K	1
2	CR20-402	Machined and Zinced CR20 Roller Steel	7
3	SP-323	1" ID x .75" L Bronze Sleeve Bearing	15
4	HW-366	1" x 7" long Shoulder Bolt	7
5	HW-198	3/4" 10T Nylock Nut	7
6	HW-190	3/4" SAE Washer	7