

Compact configuration for transport and storage
 Shown including C3KAP extension and Conduit Adapter Kit

IToolCo.

(865)670-3713

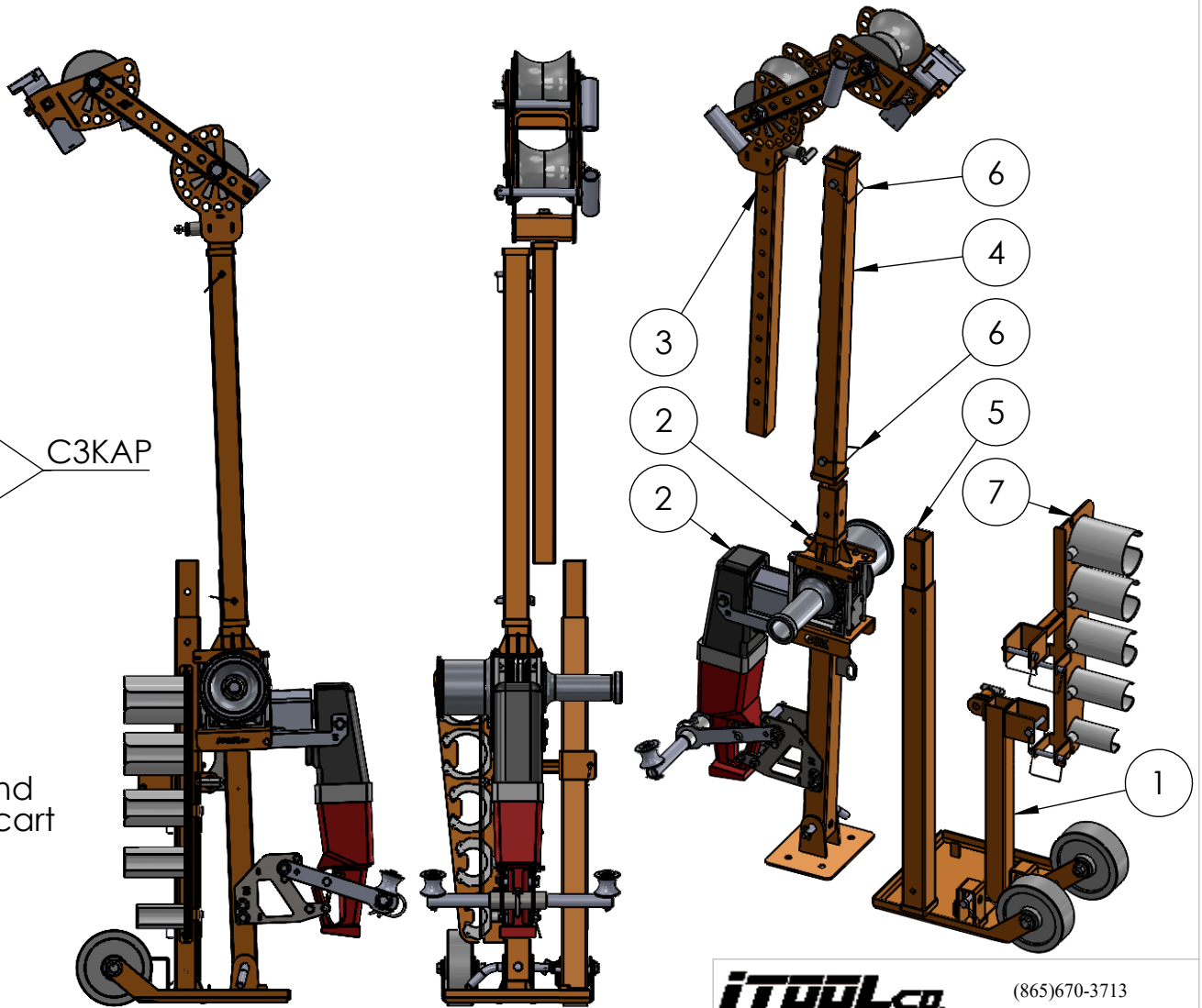
TITLE:

Cordless Milwaukee Motor 3K Puller

| | | | |
|-------------|-----------|--------------|----|
| NAME | D. Jordan | DATE | ?? |
| SIZE | DWG. NO. | REV | |
| A | CM3K | | |
| SCALE: 1:20 | WEIGHT: | SHEET 1 OF 7 | |

| ITEM NO. | PART NUMBER | DESCRIPTION | QTY. |
|----------|-------------|---|------|
| 1 | C3K-604 | Assembled Cart Base | 1 |
| 2 | C3K-603 | 3K Gearbox Base Unit | 1 |
| 3 | C3K-602 | Main and front roller assem with extensions | 1 |
| 4 | C6K-409.2 | Outer Extensionn w/ weld on sleeves | 1 |
| 5 | C6K-408 | C6K 30" Extention Tube | 1 |
| 6 | SP-181 | 3/8 Pin w/ retainer | 4 |
| 7 | C3K-605 | Adapter Plate and Adapters | 1 |

C3KAP



Pulling Configuration with adapters and extra extension(C3KAP) mounted on cart

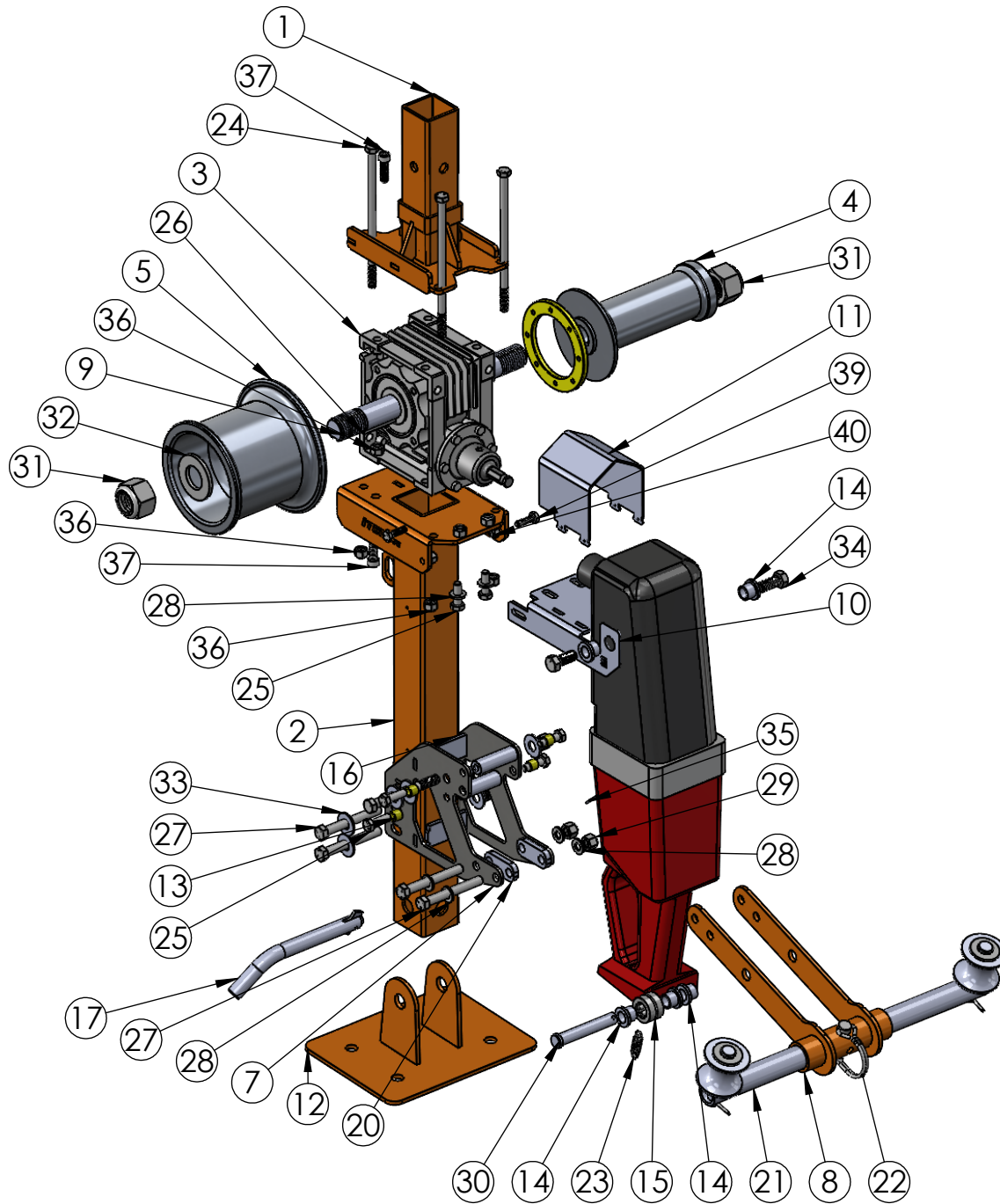
IToolCo.

(865)670-3713

TITLE:

Cordless Milwaukee Motor 3K Puller

| | | | |
|-------------|-----------|--------------|----|
| NAME | D. Jordan | DATE | ?? |
| SIZE | DWG. NO. | REV | |
| A | CM3K | | |
| SCALE: 1:20 | WEIGHT: | SHEET 2 OF 7 | |



IToolCo.

(865)670-3713

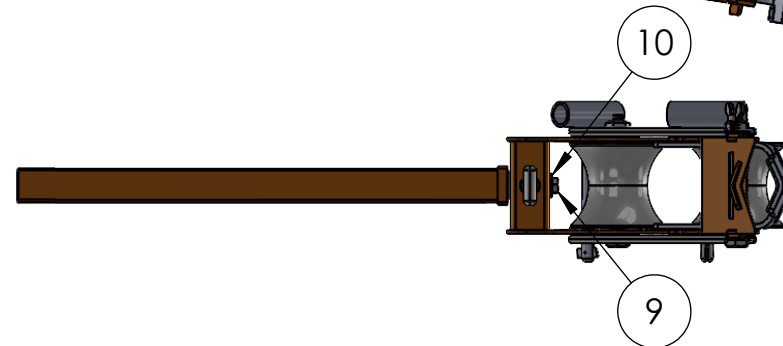
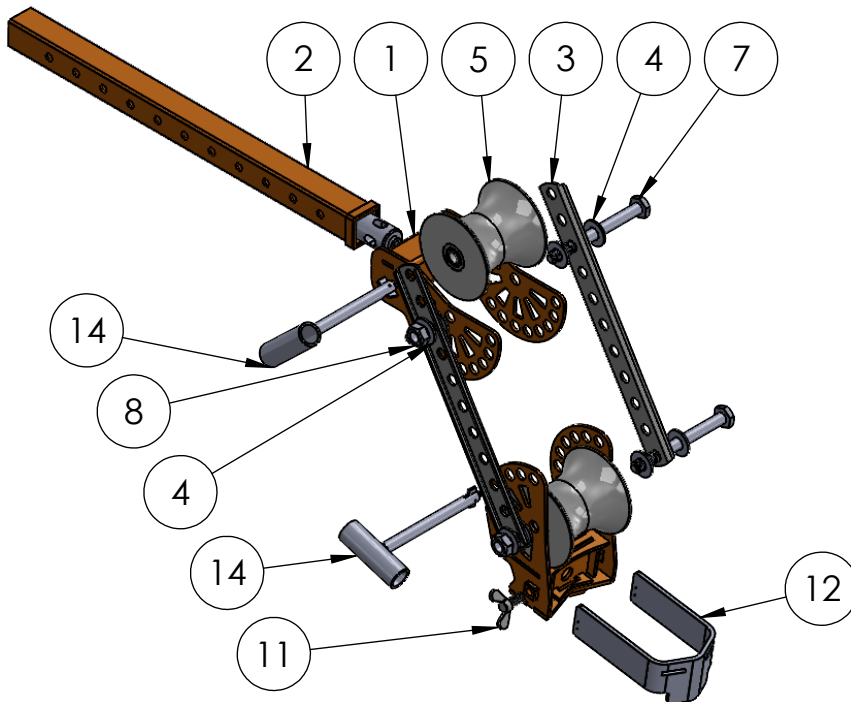
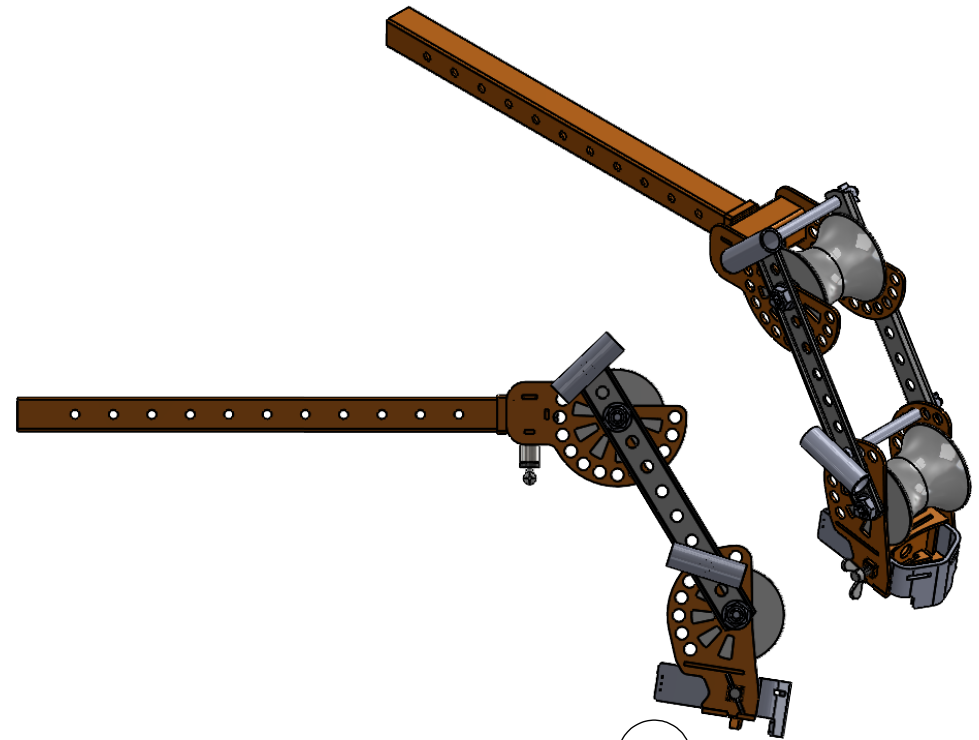
TITLE:

Cordless Milwaukee Motor 3K Puller

| | | | |
|-------------|-------------|--------------|----|
| NAME | D. Jordan | DATE | ?? |
| SIZE | DWG. NO. | REV | |
| A | CM3K | | |
| SCALE: 1:20 | WEIGHT: | SHEET 3 OF 7 | |

| ITEM NO. | PART NUMBER | DESCRIPTION | QTY. |
|----------|-------------|---|------|
| 1 | C3K-401.2 | Gearbox Top With Bracing | 1 |
| 2 | C3K-402 | Gearbox Bottom | 1 |
| 3 | GB-006 | 3K Gearbox | 1 |
| 4 | C3K-100M | High Torque Capstan | 1 |
| 5 | C3K-101M | High Speed Capstan | 1 |
| 6 | SP-274 | 3K Brass bearing | 1 |
| 7 | C3K-417.2 | Mill Cordless Motor Handle mount for 2811 | 2 |
| 8 | C3K-408 | Trigger pull weldment | 1 |
| 9 | SP-273 | 3k Output Shaft | 1 |
| 10 | C3K-412 | Cordless Mil Motor Mount | 1 |
| 11 | C3K-413 | Motor Cover Coated | 1 |
| 12 | C6K-402 | Base Plate | 1 |
| 13 | SP-249 | 5/16"ID 7/16"OD x 3/8" long oilite sleeve | 4 |
| 14 | SP-108 | Capture Bushing | 5 |
| 15 | SP-149 | Interior Roller Bearing | 1 |
| 16 | C3K-419 | Tabbed Motor Handle Spacer | 2 |
| 17 | SP-185 | 5/8" Bent Hitch Pin | 1 |
| 18 | C3K-108M | 2" BM-21 | 2 |
| 19 | SP-281 | Cordless Mill 3K Motor | 1 |
| 20 | C3K-418.2 | Motor Handle Spacer Zinced | 2 |
| 21 | CK-602 | Rope Roller Assembly | 1 |
| 22 | SP-180 | 1/4" Wire-Lock Clevis Pin | 1 |
| 23 | HW-415 | Return Spring | 1 |
| 24 | HW-352 | 5/16"-18T x 6.5L G5 Bolt | 4 |
| 25 | HW-354 | 5/16" 18T x 1"L G5 Hex Bolt | 6 |
| 26 | HW-355 | 5/16" Sq. x7"L Key Stock | 1 |
| 27 | HW-142 | 3/8" 16t X 3" Hex Bolt | 4 |
| 28 | HW-357 | 5/16" Flat Washer | 6 |
| 29 | HW-150 | 3/8 16T x nyloc nut | 5 |
| 30 | HW-254 | 1/2" X 3"L Clevis pin | 1 |
| 31 | HW-358 | 1" 8T Nylock Nut | 2 |
| 32 | HW-200 | 1" Flat Washer | 1 |
| 33 | HW-146 | 3/8" Flat Washer | 8 |
| 34 | HW-158 | 7/16"-14 x 1" Long Hex Bolt | 2 |
| 35 | HW-224 | 5/32" x 1-1/4" L Cotter Pin | 1 |
| 36 | HW-353 | 5/16" 18T Nylock Hex Nut | 10 |
| 37 | HW-398 | 5/16"-18 1" Socket Head Bolt | 4 |
| 38 | HW-360 | 3/8"-16 X 3.5" Hex Bolt | 1 |
| 39 | HW-120 | 1/4" 20T x 7/8" Long Hex Cap Bolt | 2 |
| 40 | HW-128 | 1/4"-20 Nylock Nut | 2 |

| ITEM NO. | PART NUMBER | DESCRIPTION | QTY. |
|----------|-------------|-------------------------------------|------|
| 1 | C3K-405.3 | Main roller 3K | 1 |
| 2 | C6K-405 | Inner Telescoping Tube | 1 |
| 3 | C3K-411 | 3K Side arm Coated | 2 |
| 4 | HW-176 | 5/8" SAE Washer | 8 |
| 5 | SP-264 | 3K Roller | 2 |
| 6 | C3K-407 | Front Knuckle | 1 |
| 7 | HW-175 | 5/8" 11t x 6.5" Bolt | 2 |
| 8 | HW-182 | 5/8" nyloc nut | 2 |
| 9 | HW-159 | 1/2"-13 x .75"L Bolt | 1 |
| 10 | HW-166 | 1/2" flat washer | 1 |
| 11 | HW-164 | 1/2" 13t Wing Bolt | 1 |
| 12 | CK-10 | Universal Adapter | 1 |
| 13 | SP-001.2 | Pull Pop Pin | 1 |
| 14 | SP-182 | 5/8" Hitch Pin w/ Flashlight Holder | 2 |



IToolCo.

(865)670-3713

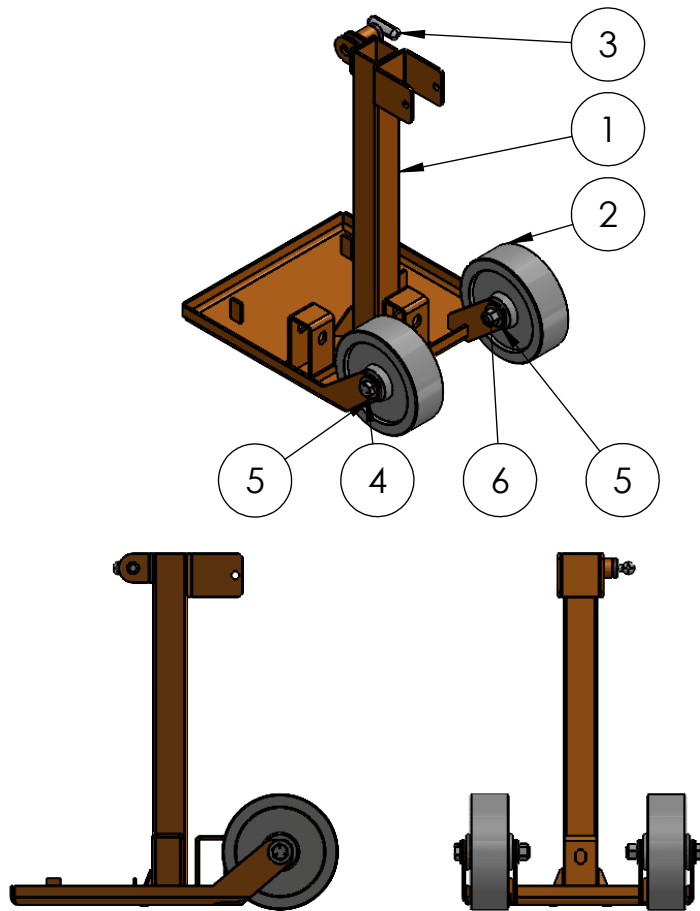
TITLE:

Main and Front rollers with Ext.

| | | | |
|-------------|-----------|--------------|----|
| NAME | D. Jordan | DATE | ?? |
| SIZE | DWG. NO. | REV | |
| A | C3K-602 | | |
| SCALE: 1:20 | WEIGHT: | SHEET 5 OF 7 | |

| ITEM NO. | PART NUMBER | DESCRIPTION | QTY. |
|----------|-------------|------------------------------|------|
| 1 | C3K-409.2 | Cart Base | 1 |
| 2 | SP-283 | 6" x 2" phenolic wheel | 2 |
| 3 | SP-001.2 | Pull Pop Pin | 1 |
| 4 | HW-356 | 1/2" 13T x 3.5"L G5 Hex Bolt | 2 |
| 5 | HW-166 | 1/2" flat washer | 4 |
| 6 | HW-168 | 1/2" 13t Nyloc Jam Nut | 2 |

C3K-604 Assembled Cart Base

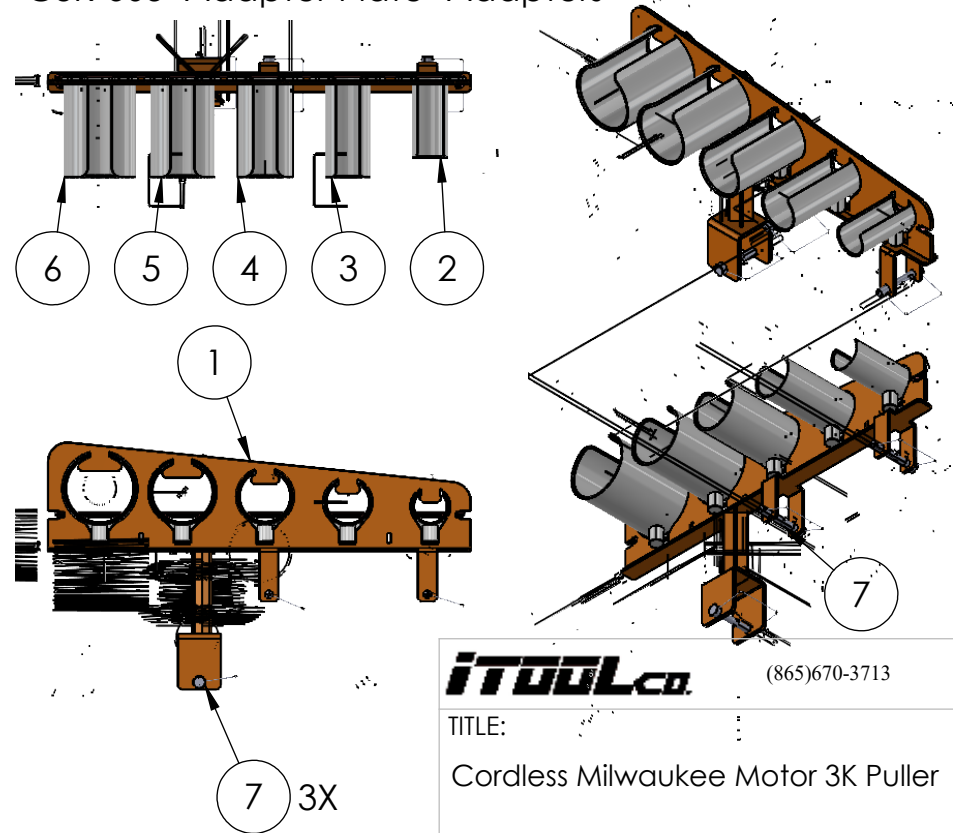


5

4

| ITEM NO. | PART NUMBER | DESCRIPTION | QTY. |
|----------|-------------|----------------------|------|
| 1 | C3K-410 | Adapter plate | 1 |
| 2 | CK-20 | 2" Conduit Adapter | 1 |
| 3 | CK-25 | 2.5" Conduit Adapter | 1 |
| 4 | CK-30 | 3" Conduit Adapter | 1 |
| 5 | CK-35 | 3.5" Conduit Adapter | 1 |
| 6 | CK-40 | 4" Conduit Adapter | 1 |
| 7 | SP-181 | 3/8 Pin w/ retainer | 3 |
| 8 | SP-189 | 18" Orange bungee | 1 |

C3K-605 Adapter Plate+Adapters



IToolCo.

(865)670-3713

TITLE:

Cordless Milwaukee Motor 3K Puller

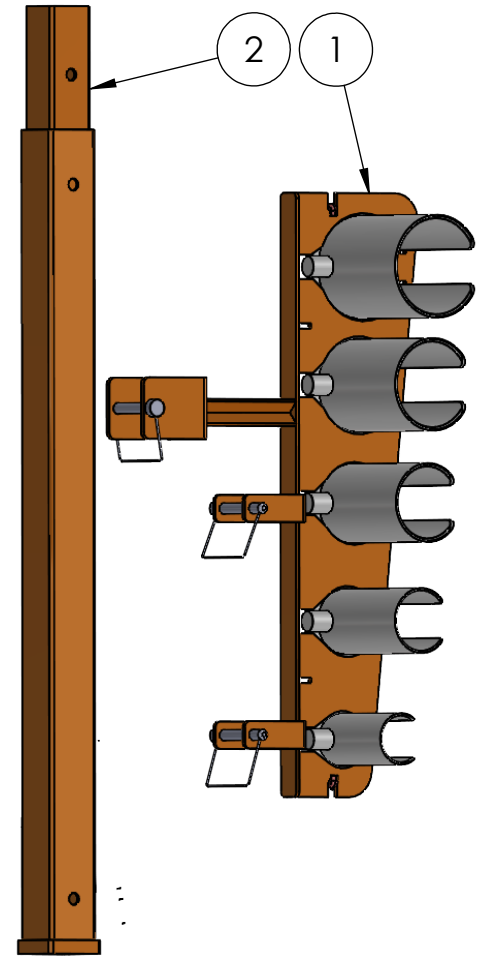
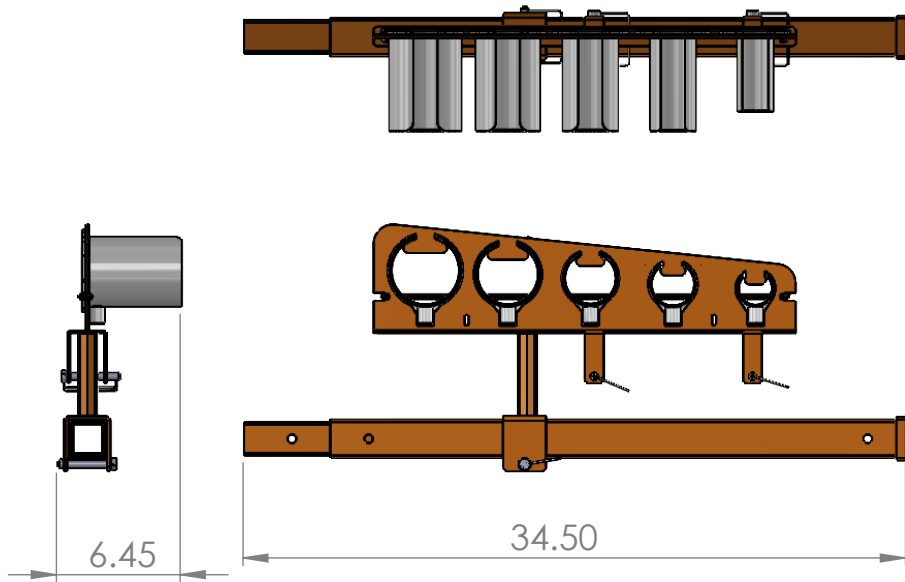
| | | | |
|-------------|-----------|--------------|----|
| NAME | D. Jordan | DATE | ?? |
| SIZE | DWG. NO. | REV | |
| A | CM3K | | |
| SCALE: 1:20 | WEIGHT: | SHEET 6 OF 7 | |

3

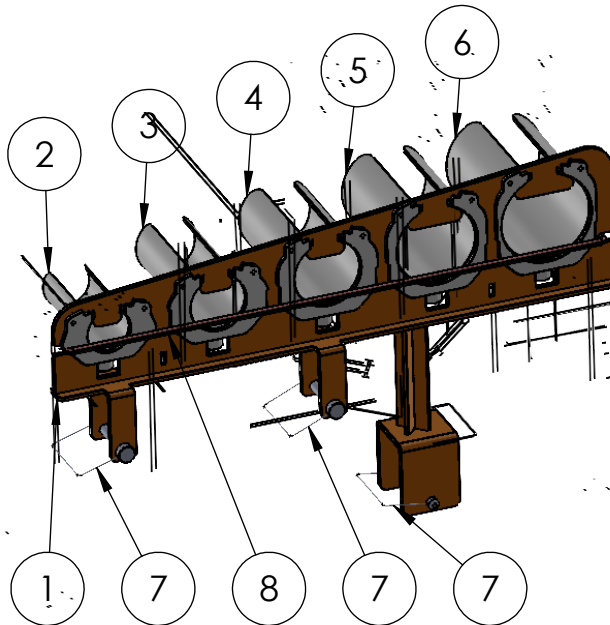
2

1

| ITEM NO. | PART NUMBER | DESCRIPTION | QTY. |
|----------|-------------|----------------------------|------|
| 1 | C3K-605 | Adapter Plate and Adapters | 1 |
| 2 | C6K-408 | C6K 30" Extension Tube | 1 |



| ITEM NO. | PART NUMBER | DESCRIPTION | QTY. |
|----------|-------------|----------------------|------|
| 1 | C3K-410 | Adapter plate | 1 |
| 2 | CK-20 | 2" Conduit Adapter | 1 |
| 3 | CK-25 | 2.5" Conduit Adapter | 1 |
| 4 | CK-30 | 3" Conduit Adapter | 1 |
| 5 | CK-35 | 3.5" Conduit Adapter | 1 |
| 6 | CK-40 | 4" Conduit Adapter | 1 |
| 7 | SP-181 | 3/8 Pin w/ retainer | 3 |
| 8 | SP-189 | 18" Orange bungee | 1 |



IToolCo.

(865)670-3713

TITLE:

Accessory Pack fo 3K Pullers

| | | | |
|-------------|--------------|--------------|----|
| NAME | D. Jordan | DATE | ?? |
| SIZE | DWG. NO. | REV | |
| A | C3KAP | | |
| SCALE: 1:20 | WEIGHT: | SHEET 7 OF 7 | |