

5

4

3

2

1

IToolCo.

(865)670-3713

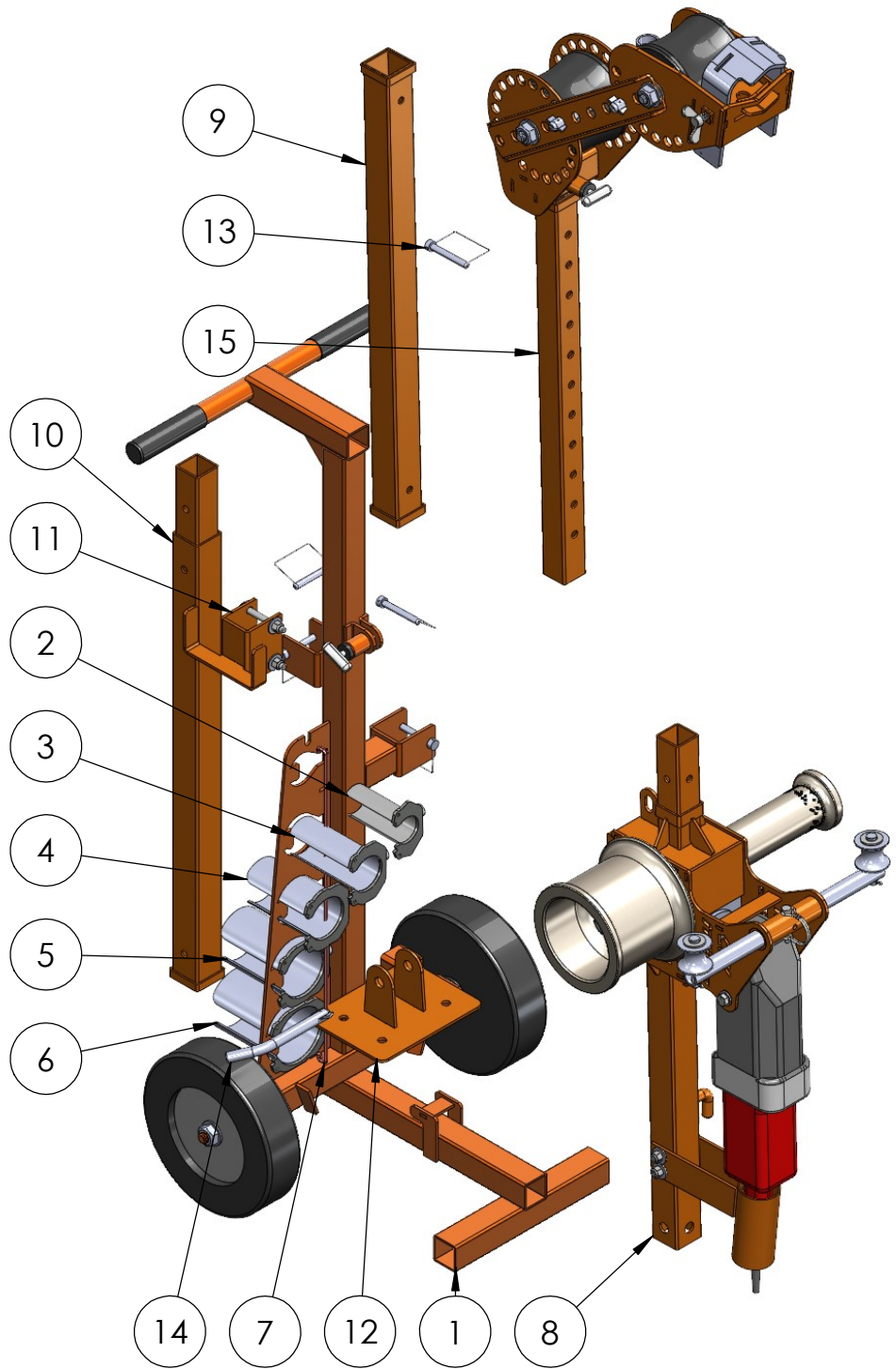
TITLE:

Cannon 6K Cable Puller

NAME	E. James	DATE	4/13/23
------	----------	------	---------

SIZE	DWG. NO.	REV
A	C6K.2	

SCALE: 1:20	WEIGHT:	SHEET 1 OF 9
-------------	---------	--------------



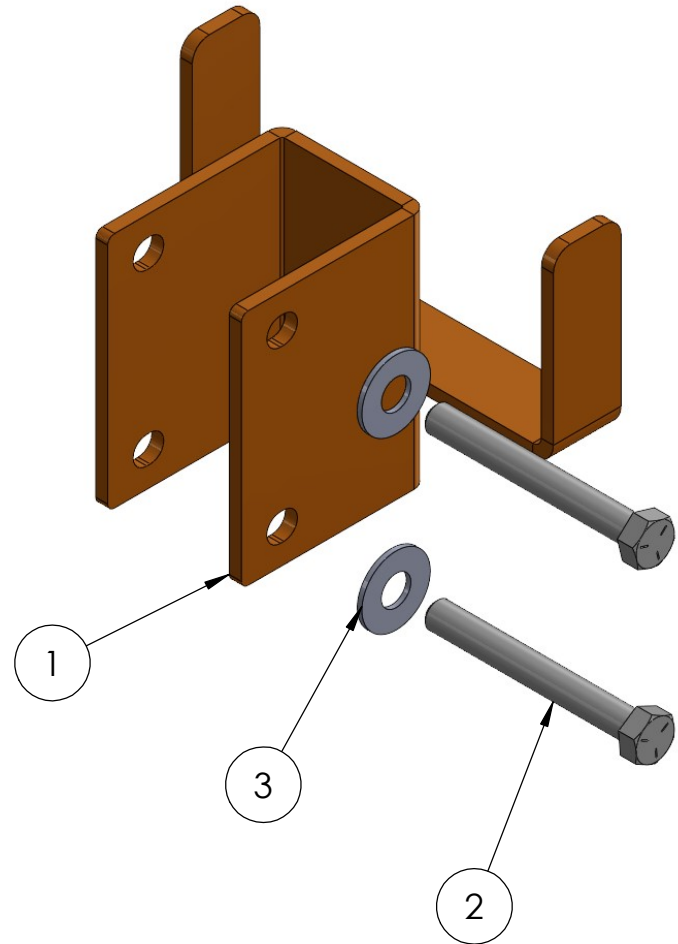
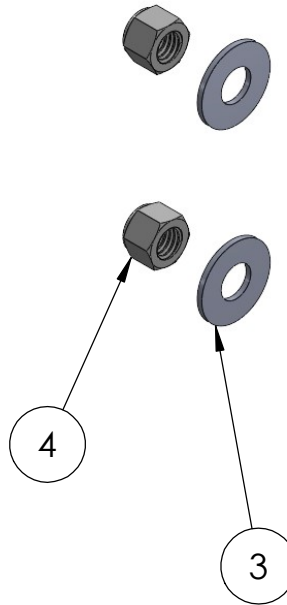
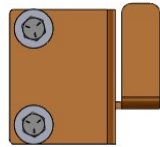
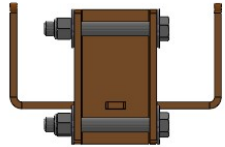
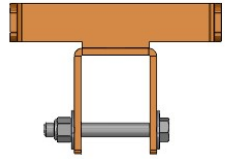
ITEM NO.	PART NUMBER	DESCRIPTION	QTY.
1	C6K-601	6K Cart	1
2	CK-20	2" Conduit Adapter	1
3	CK-25	2.5" Conduit Adapter	1
4	CK-30	3" Conduit Adapter	1
5	CK-35	3.5" Conduit Adapter	1
6	CK-40	4" Conduit Adapter	1
7	SP-189	18" Black bungee	1
8	C6K-602	Lower Base Unit	1
9	C6K-409.2	Outer Extension w/ weld on sleeves	1
10	C6K-408	C6K 30" Extension Tube	1
11	CK-612	Footswitch Holder Complete Assembly	1
12	C6K-402	Base Plate	1
13	SP-181	3/8 Pin w/ retainer	4
14	SP-185	5/8" Bent Hitch Pin	1
15	C6K-611	Front, Main, and inner Extension fully Assembled	1

iTOOLco. (865)670-3713

TITLE:
C6K.2 Cable Puller Top Level

PROPRIETARY AND CONFIDENTIAL
THE INFORMATION CONTAINED IN THIS DRAWING IS THE SOLE PROPERTY OF iTOOL co. ANY REPRODUCTION IN PART OR AS A WHOLE WITHOUT THE WRITTEN PERMISSION OF iTOOL co. IS PROHIBITED.

SIZE A	DWG. NO. C6K.2	REV
Date	WEIGHT:	SHEET 2 OF 9



IToolCo.

(865)670-3713

TITLE:

CK-612

NAME E. James DATE 6/15/23

SIZE DWG. NO. REV
A C6K.2

SCALE: 1:20 WEIGHT: SHEET 3 OF 9

ITEM NO.	PART NUMBER	DESCRIPTION	QTY.
1	CK-412	Footswitch Bracket	1
2	HW-142	3/8" 16t X 3" Hex Bolt	2
3	HW-146	3/8" Washer	4
4	HW-150	3/8"-16T Nylock Hex	2

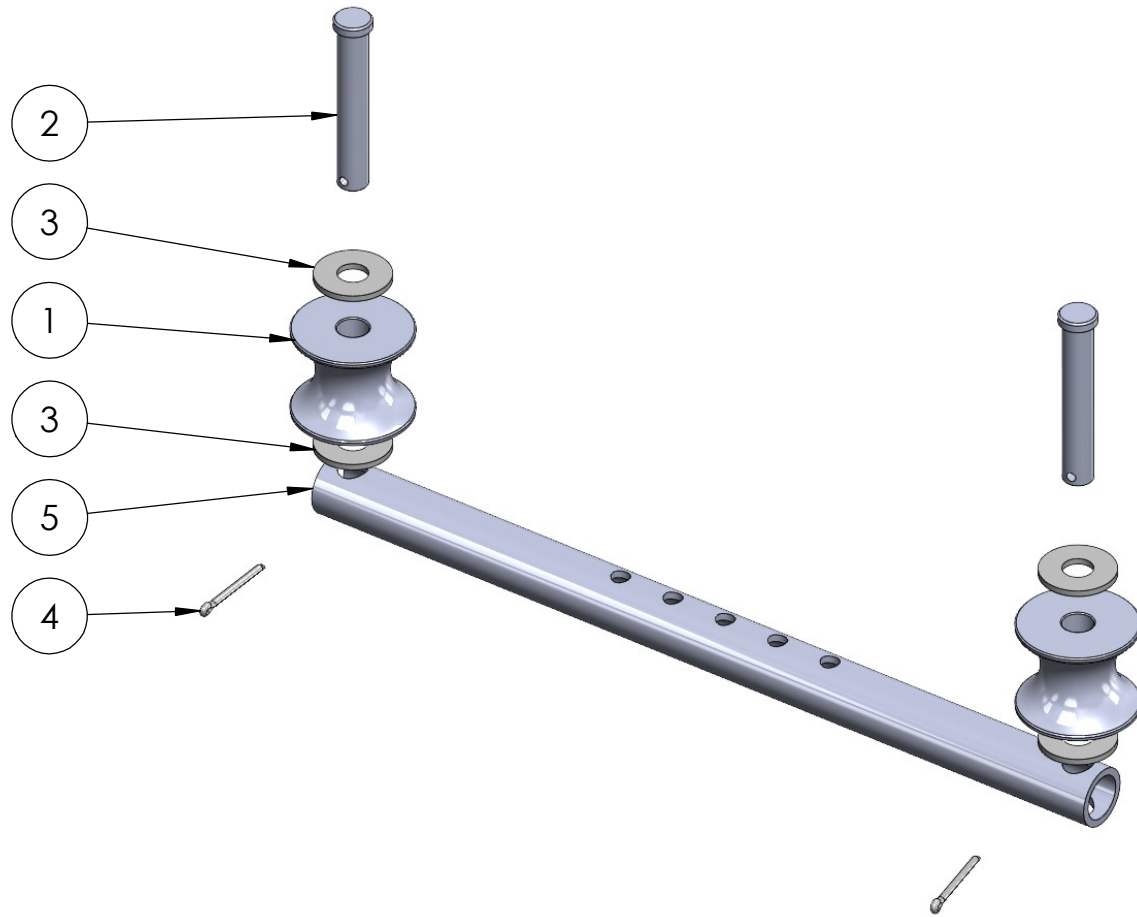
5

4

3

2

1



IToolCo.

(865)670-3713

TITLE:

CK-602

NAME E. James DATE 6/15/23

SIZE DWG. NO. REV
A C6K.2

SCALE: 1:20 WEIGHT: SHEET 4 OF 9

ITEM NO.	PART NUMBER	DESCRIPTION	QTY.
1	SP-109	Rope roller	2
2	HW-254	1/2" X 3"L Clevis pin	2
3	HW-166	1/2" flat washer	4
4	HW-222	1/8" - 1 1/4" Cotter Pin	2
5	C6K-114		1

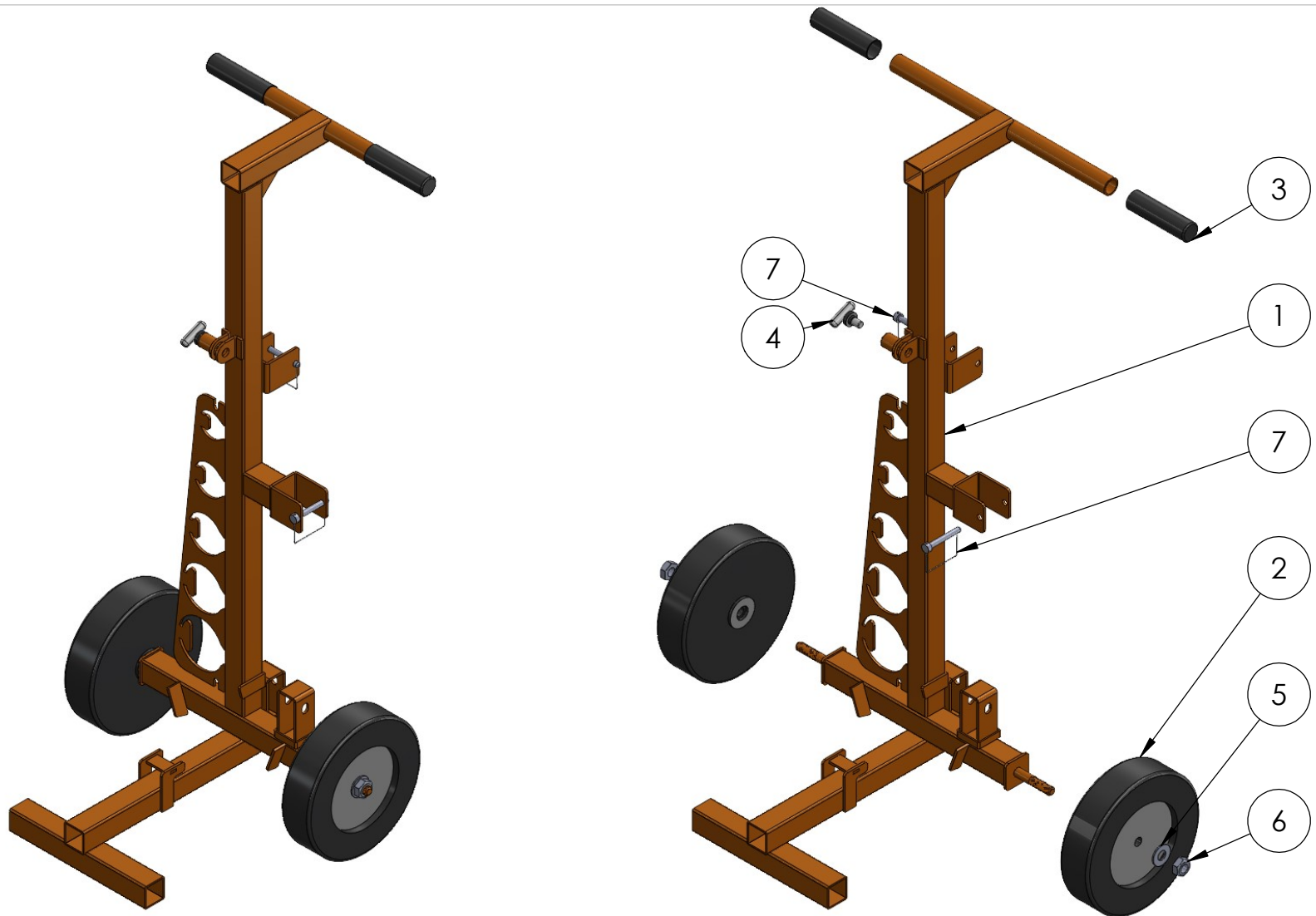
5

4

3

2

1



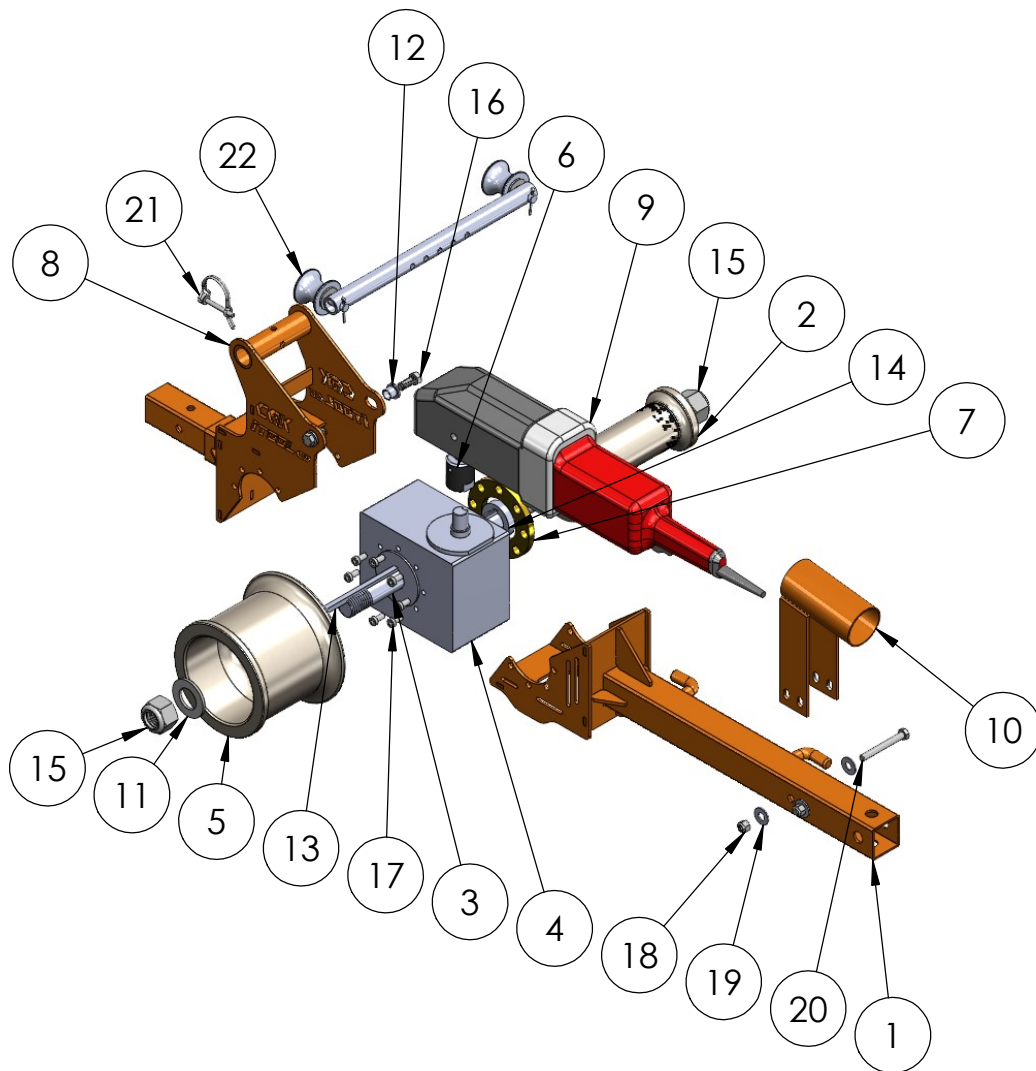
ITEM NO.	PART NUMBER	DESCRIPTION	QTY.
1	C6K-401.2	6k Cart	1
2	SP-113	10 inch wheel	2
3	SP-152	Cushioned Grip	2
4	SP-001.2	Pull Pop Pin	1
5	HW-176	5/8" SAE Washer	2
6	HW-182	5/8" nyloc nut	2
7	SP-181	3/8 Pin w/ retainer	2

IToolCo. (865)670-3713

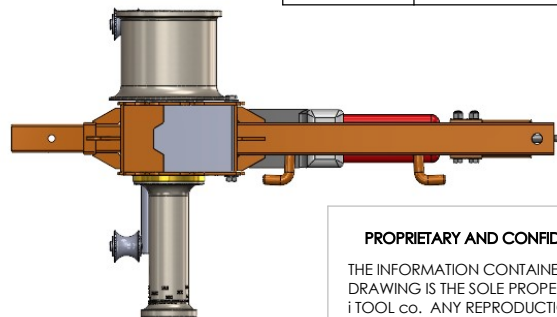
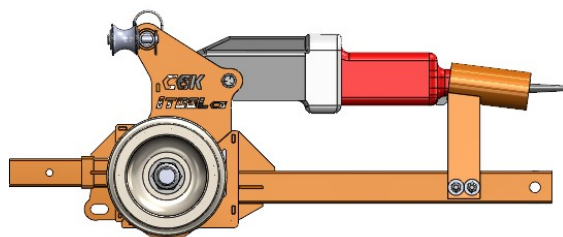
TITLE: **C6K-601**

NAME	E. James	DATE	4/17/23
SIZE	DWG. NO.	REV	
A	C6K.2		

SCALE: 1:10 WEIGHT: SHEET 5 OF 9



ITEM NO.	PART NUMBER	DESCRIPTION	QTY.
1	C6K-403	Gearbox Bottom Frame	1
2	C6K-125M	High Torque capstan	1
3	SP-103	Output Shaft	1
4	GB-001.2	Gearbox	1
5	C6K-126M	High Speed Capstan	1
6	SP-104	6K Motor Coupling	1
7	SP-106	Capstan Bearing	1
8	C6K-404	Gearbox Top	1
9	SP-141	Milwaukee super Hawg 1680-20	1
10	C6K-412	Handle Motor Mount	1
11	HW-194	1 1/8" SAE Washer	1
12	SP-108	Capture Bushing	2
13	HW-312	Key Stock	1
14	SP-105	6K High torque Capstan Spacer Aluminum	1
15	HW-193	1-1/8" 7T Nylock Nut	2
16	HW-158	7/16"-14 x 1" Long Hex Bolt	2
17	HW-242	M8 low head 6K gearbox mount bolts	16
18	HW-150	3/8"-16T Nylock Hex	2
19	HW-146	3/8" Washer	4
20	HW-142	3/8" 16t X 3" Hex Bolt	2
21	SP-180	1/4" Wire-Lock Clevis Pin	1
22	CK-602	Rope Roller Assembly	1



PROPRIETARY AND CONFIDENTIAL

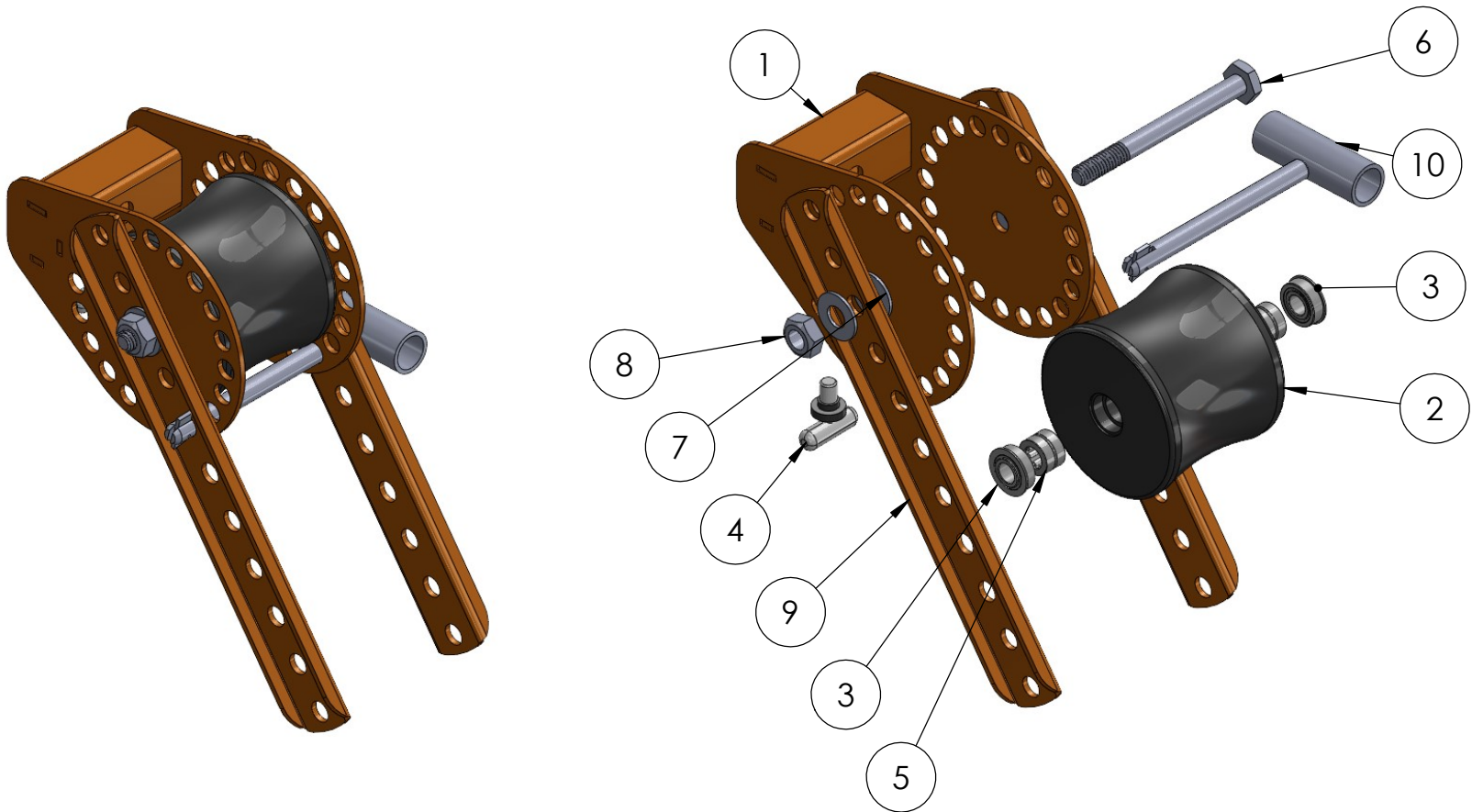
THE INFORMATION CONTAINED IN THIS DRAWING IS THE SOLE PROPERTY OF iTOOL co. ANY REPRODUCTION IN PART OR AS A WHOLE WITHOUT THE WRITTEN PERMISSION OF iTOOL co. IS PROHIBITED.

iTOOLco. (865)670-3713

TITLE:

C6K-602 Gearbox Base
Exploded View

SIZE A	DWG. NO. C6K.2	REV
Date	WEIGHT:	SHEET 6 OF 9



ITEM NO.	PART NUMBER	DESCRIPTION	QTY.
1	C6K-406.2	New Style Main Roller	1
2	SP-107	Fron & Main Roller	1
3	SP-114	5/8" ID 1-3/8"OD Bearing	2
4	SP-001.2	Pull Pop Pin	1
5	SP-149	Interior Roller Bearing	2
6	HW-175	5/8" 11t x 6.5" Bolt	1
7	HW-176	5/8" SAE Washer	4
8	HW-182	5/8" nyloc nut	1
9	C6K-411	Side Arm	2
10	SP-182	5/8" Hitch Pin w/ Flashlight Holder	1

PROPRIETARY AND CONFIDENTIAL

THE INFORMATION CONTAINED IN THIS DRAWING IS THE SOLE PROPERTY OF iTOOL co. ANY REPRODUCTION IN PART OR AS A WHOLE WITHOUT THE WRITTEN PERMISSION OF iTOOL co. IS PROHIBITED.

iTOOLco. (865)670-3713

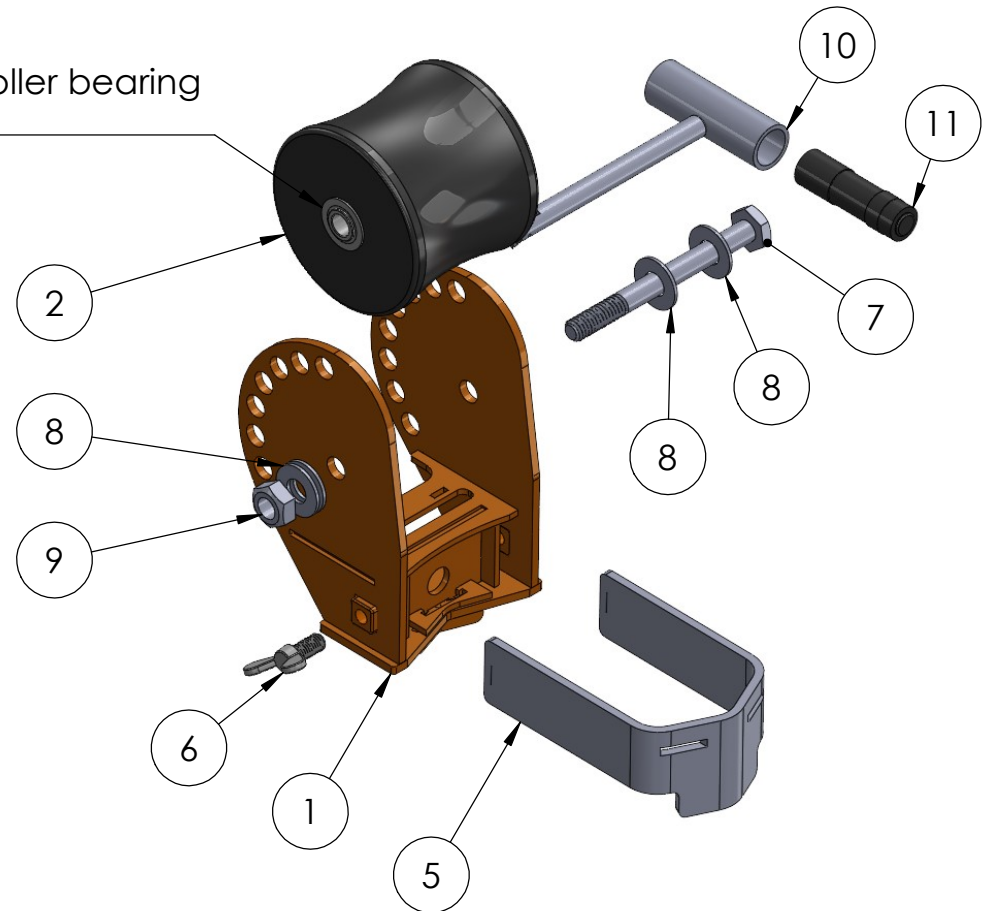
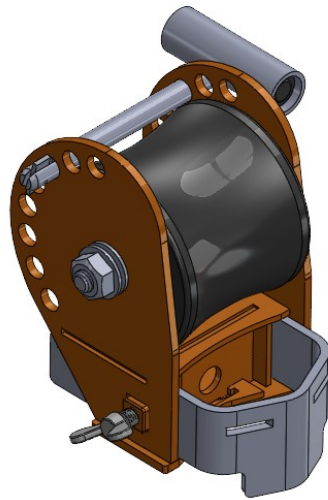
TITLE:

C6K-606 Main Roller

SIZE A	DWG. NO. C6K.2	REV
------------------	--------------------------	-----

Date	WEIGHT:	SHEET 7 OF 9
------	---------	--------------

Bearing and Interior roller bearing preinstalled



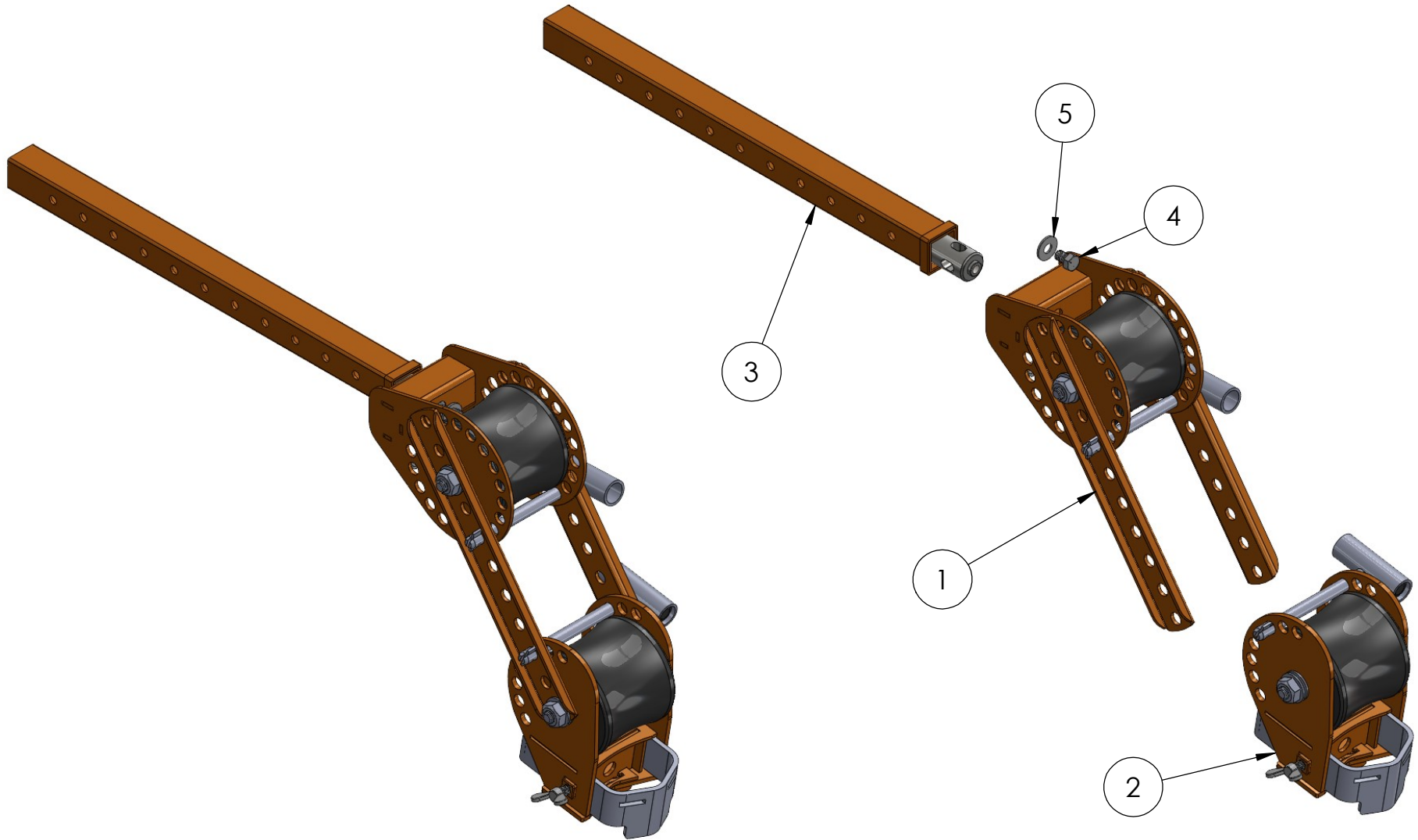
ITEM NO.	PART NUMBER	DESCRIPTION	QTY.
1	C6K-407	Front Knuckle	1
2	SP-107	Fron & Main Roller	1
3	SP-114	5/8" ID 1-3/8"OD Bearing	2
4	SP-149	Interior Roller Bearing	2
5	CK-10	Universal Adapter	1
6	HW-164	1" - 1/2" 13t wing bolt	1
7	HW-175	5/8" 11t x 6.5" Bolt	1
8	HW-176	5/8" SAE Washer	4
9	HW-182	5/8" nyloc nut	1
10	SP-182	5/8" Hitch Pin w/ Flashlight Holder	1
11	SP-121	Flashlight	1

PROPRIETARY AND CONFIDENTIAL
 THE INFORMATION CONTAINED IN THIS DRAWING IS THE SOLE PROPERTY OF iTOOL co. ANY REPRODUCTION IN PART OR AS A WHOLE WITHOUT THE WRITTEN PERMISSION OF iTOOL co. IS PROHIBITED.

iTOOLco. (865)670-3713

TITLE:
C6K-607 Front Roller

SIZE A	DWG. NO. C6K.2	REV
Date	WEIGHT:	SHEET 8 OF 9



IToolCo.

(865)670-3713

TITLE:

C6K-611

NAME E. James DATE 4/17/23

SIZE DWG. NO. REV
A C6K.2

SCALE: 1:7 WEIGHT: SHEET 9 OF 9

ITEM NO.	PART NUMBER	DESCRIPTION	QTY.
1	C6K-606	Main Roller Complete Assembly	1
2	C6K-607	Front Roller Complete Assembly	1
3	C6K-405	Inner Telescoping Tube	1
4	HW-159	1/2"-13 x .75"L Bolt	1
5	HW-166	1/2" flat washer	1

5

4

3

2

1