

5

4

3

2

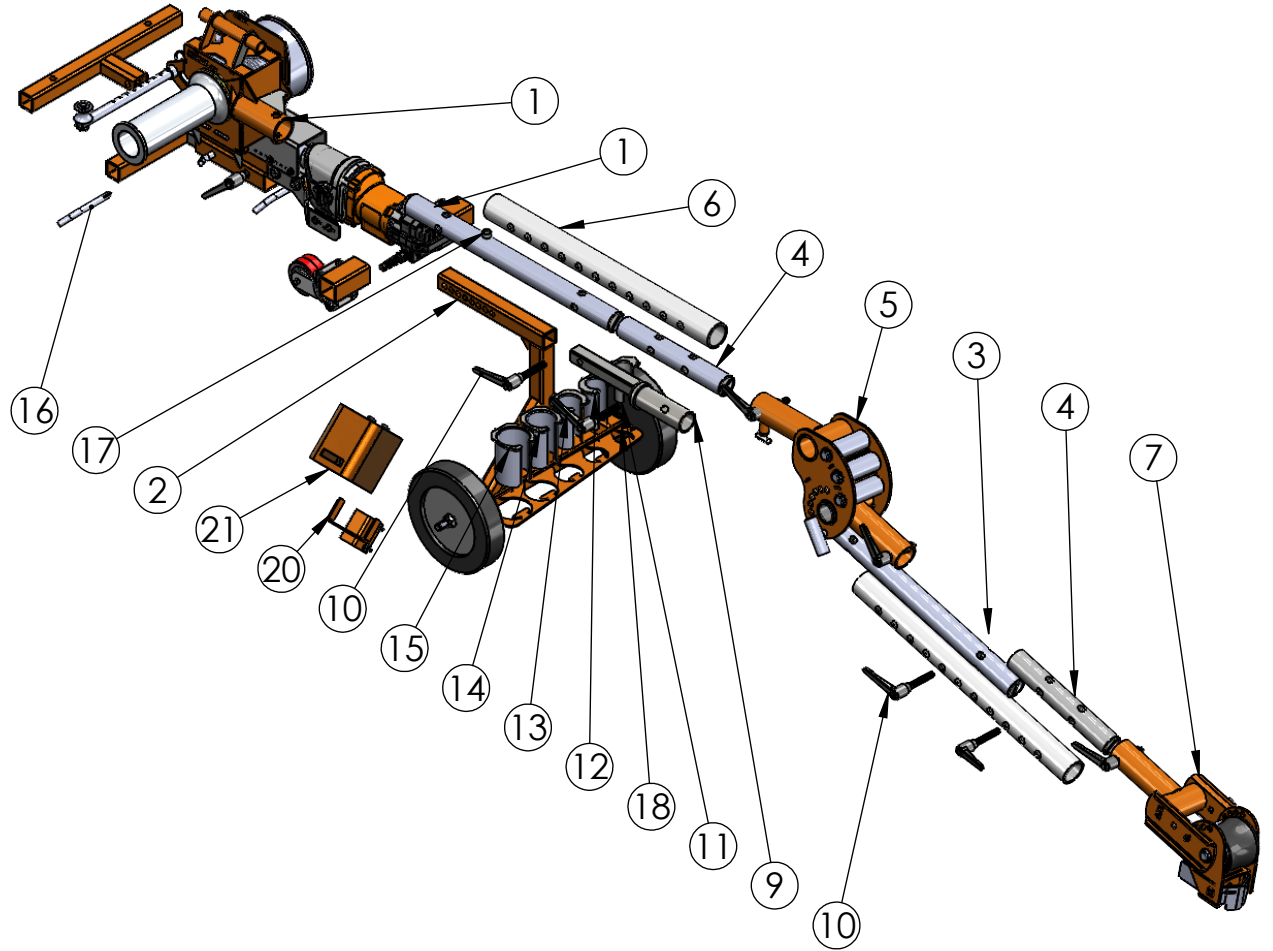
1

iTOOLco. (865)670-3713

TITLE:
Cannon 12K Puller

NAME	D. Jordan	DATE	8/11/21
SIZE	DWG. NO.		
A	C12K		
WEIGHT:	404lbs / 183Kg	SHEET 1 OF 9	

ITEM NO.	PART NUMBER	DESCRIPTION	Default/QTY.
1	12K-601	Gearbox Base unit (see pg. 2)	1
2	C10K-614	Wheeled frame	1
3	C12K-405	30" Extension	2
4	C12K-404	15" Extension tube	2
5	C10K-617	Main roller complete assembly	1
6	C12K-406	33" Extension tube	2
7	C10K-608	Front Knuckle 2.0 Fully Assembled	1
8	C10K-422	Receiver hitch adapter	1
9	C10K-431.2	Extension Holder	1
10	SP- 123	5/8" x 3"L Adjustable handle	4
11	CK-20	2" Conduit Adapter	1
12	CK-25	2.5" Conduit Adapter	1
13	CK-30	3" Conduit Adapter	1
14	CK-35	3.5" Conduit Adapter	1
15	CK-40	4" Conduit Adapter	1
16	SP-185	5/8" Bent Hitch Pin	2
17	HW-170	5/8"-11 x 3" Socket Head Bolt	1
18	SP-189	18" Black bungee	1
19	C10K-648	Caster Base Fully Assembled	2
20	CK-612	Footswitch Holder Complete Assembly	1
21	SP-190	12K Footswitch	1



iTOOL.co. (865)670-3713

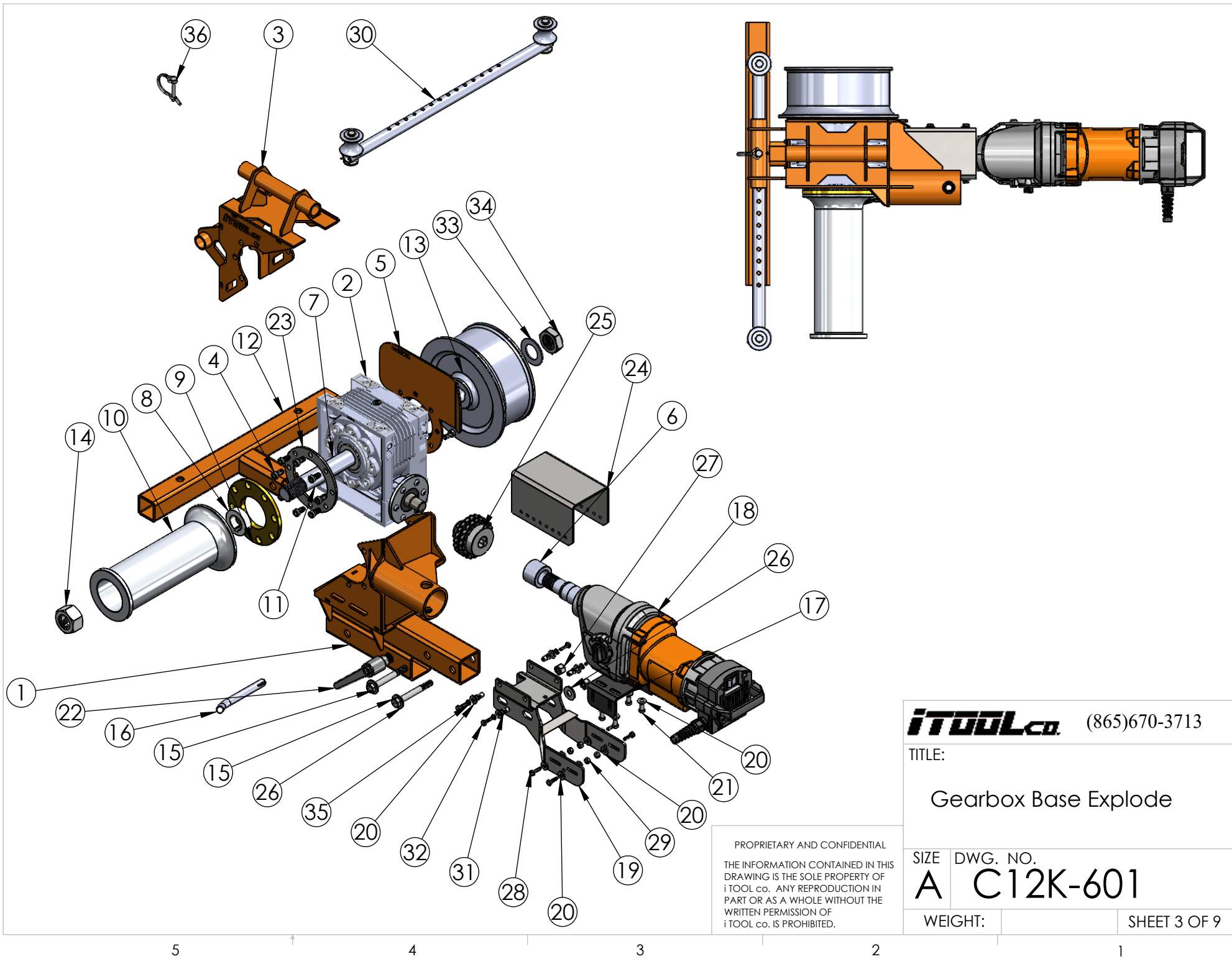
TITLE:

Exploded View

PROPRIETARY AND CONFIDENTIAL
 THE INFORMATION CONTAINED IN THIS
 DRAWING IS THE SOLE PROPERTY OF
 iTOOL co. ANY REPRODUCTION IN
 PART OR AS A WHOLE WITHOUT THE
 WRITTEN PERMISSION OF
 iTOOL co. IS PROHIBITED.

SIZE DWG. NO.
A C12K

WEIGHT: 404lbs /183Kg SHEET 2 OF 9



iTOOLco. (865)670-3713

TITLE:
Gearbox Base Explode

PROPRIETARY AND CONFIDENTIAL
THE INFORMATION CONTAINED IN THIS
DRAWING IS THE SOLE PROPERTY OF
iTOOL co. ANY REPRODUCTION IN
PART OR AS A WHOLE WITHOUT THE
WRITTEN PERMISSION OF
iTOOL co. IS PROHIBITED.

SIZE DWG. NO.
A C12K-601

WEIGHT: SHEET 3 OF 9

ITEM NO.	PART NUMBER	DESCRIPTION	QTY.
1	C10K-413.2	Gearbox bottom frame	1
2	GB-002.1	10K Gearbox	1
3	C10K-420.2	Gearbox Top W/Handles	1
4	HW-240	M10 low head 10K gearbox mount bolts	16
5	C10K-426.2	Shark Fin With Circle Brace	1
6	C12K-107M	12K motor spacer coupling	1
7	SP-103	Output Shaft	1
8	SP-117	10K capstan spacer	1
9	SP-126M	10K Brass bearing	1
10	C10K-143M	10K High torque capstan	1
11	HW-316	10 x 12 mm x 12"L Key stock	1
12	C10K-422	Reciever hitch adapter	1
13	C10K-144.2M	10K High speed capstan	1
14	HW-204	1-3/8" 6T hex nut	1
15	HW-144	1/2"-13t 4" Hex Bolt	2
16	SP-185	5/8" Bent Hitch Pin	1
17	C10K-427	Motor base plate	1
18	SP-233	12K 3 Speed Motor w/ Reverse	1
19	C10K-425.5	Motor Mount for Clutch	1
20	HW-126	1/4" flat washer	16
21	HW-242	M8 low head 6K gearbox mount bolts	4
22	SP-123	5/8" x 3"L Adjustable handle	1
23	C12K-415	Ring bracket	1
24	C10K-447.3	Coated Motor Cover for Clutch	1
25	SP-317	Clutch for 10K 12K	1
26	HW-166	1/2" flat washer	4
27	HW-306	1/2"-13T Nyloc Nut	2
28	HW-120	1/4"-20t x 7/8" hex bolt	4
29	HW-128	1/4 20 Nyloc nut	4
30	CK-601	Rope Roller Assembly	1
31	HW-403	1/4"-20 Rivet Nut	4
32	HW-120	1/4" 20T x 7/8" Long Hex Cap Bolt	4
33	HW-196	1-3/8" flat washer	1
34	HW-322	1.375" 6T Nyloc Nut	1
35	HW-124	1/4" Split Lock Washer	4
36	SP-180	1/4" Wire-Lock Clevis Pin	1



(865)670-3713

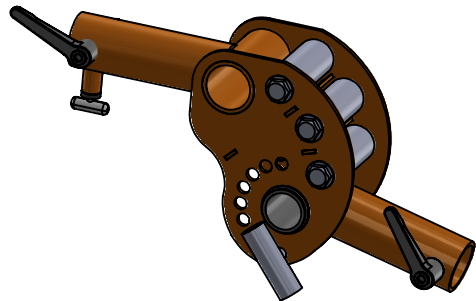
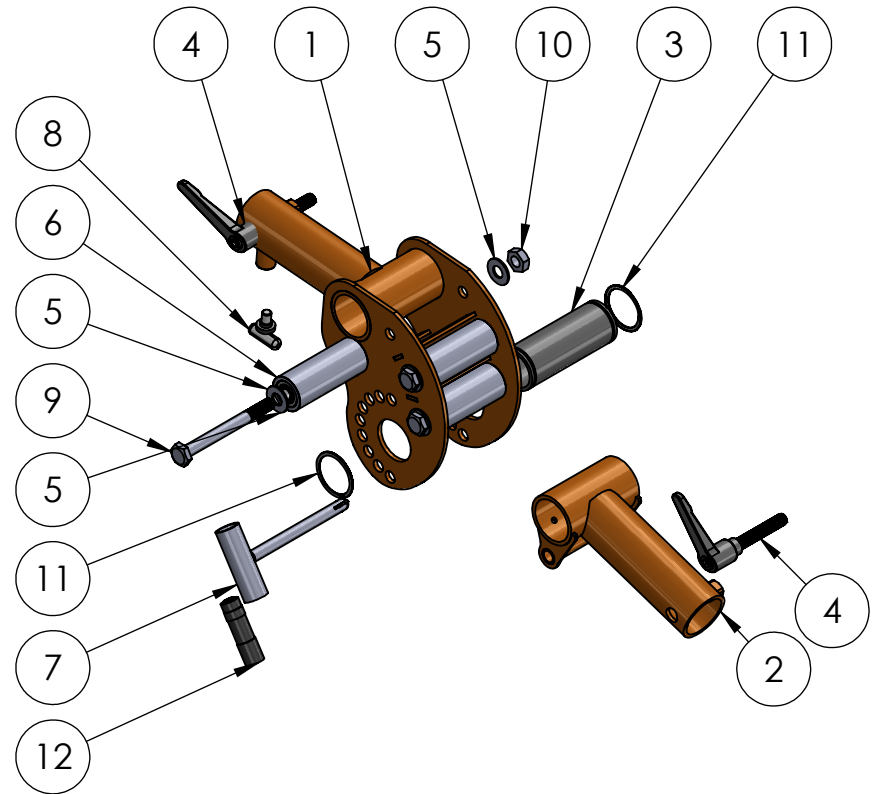
TITLE:

Cannon 12K Puller

NAME D. Jordan

SIZE DWG. NO.
A C12K

ITEM NO.	PART NUMBER	DESCRIPTION	QTY.
1	C10K-403	Main roller	1
2	C10K-409	Main roller adjustable coupling	1
3	C10K-411.2	Main roller sleeve	1
4	SP-123	5/8" x 3"L Adjustable handle	2
5	HW-176	5/8" SAE Washer	6
6	C10K-607	2" Steel Roller (with sleeve bearings)	3
7	SP-182	5/8" Hitch Pin w/ Flashlight Holder	1
8	SP-001.2	Pull Pop Pin	1
9	HW-175	5/8" 11t x 6.5" Bolt	3
10	HW-182	5/8" nyloc nut	3
11	HW-455	2-3/8" Spiral Ring	2
12	SP-121	Flashlight	1



iTOOL.co (865)670-3713

TITLE:

Main Roller

SIZE
A

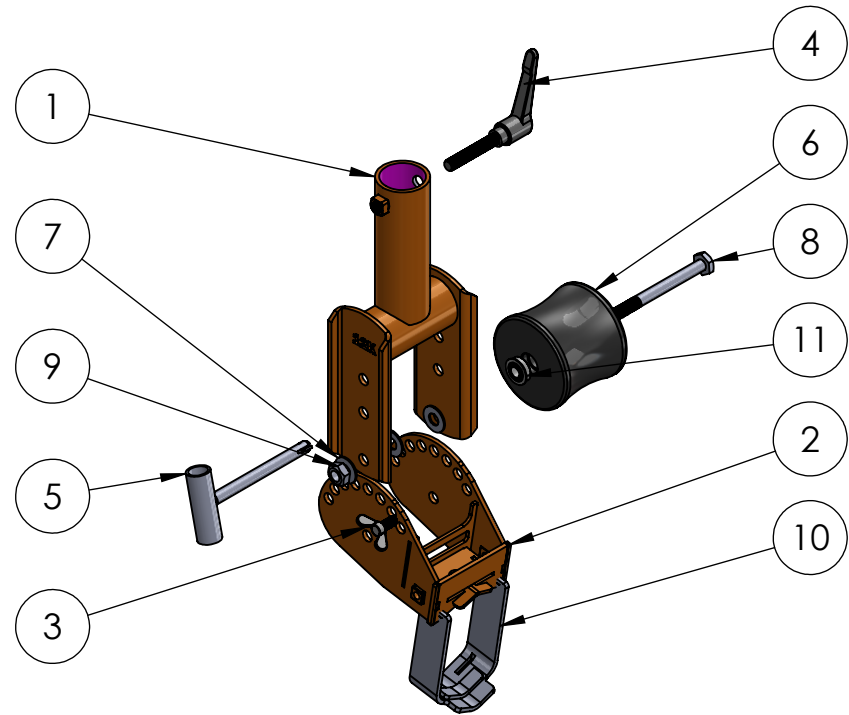
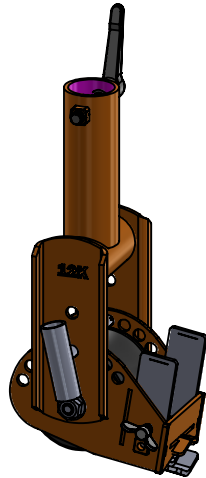
DWG. NO.

C10K-617

WEIGHT: 45Lbs

SHEET 5 OF 9

PROPRIETARY AND CONFIDENTIAL
THE INFORMATION CONTAINED IN THIS
DRAWING IS THE SOLE PROPERTY OF
iTOOL co. ANY REPRODUCTION IN
PART OR AS A WHOLE WITHOUT THE
WRITTEN PERMISSION OF
iTOOL co. IS PROHIBITED.



ITEM NO.	PART NUMBER	DESCRIPTION	QTY.
1	C10K-408	Front Knuckle Coupling	1
2	C6K-407	Front Knuckle	1
3	HW-164	1" - 1/2" 13t wing bolt	1
4	SP- 123	5/8" x 3"L Adjustable handle	1
5	SP-182	5/8" Hitch Pin w/ Flashlight Holder	1
6	SP-107	Fron & Main Roller	1
7	HW-176	5/8" SAE Washer	4
8	HW-175	5/8" 11t x 6.5" Bolt	1
9	HW-182	5/8" nyloc nut	1
10	CK-10	Universal Adapter	1
11	SP-114	5/8" ID 1-3/8"OD Bearing	2

PROPRIETARY AND CONFIDENTIAL
 THE INFORMATION CONTAINED IN THIS
 DRAWING IS THE SOLE PROPERTY OF
 iTOOL co. ANY REPRODUCTION IN
 PART OR AS A WHOLE WITHOUT THE
 WRITTEN PERMISSION OF
 iTOOL co. IS PROHIBITED.

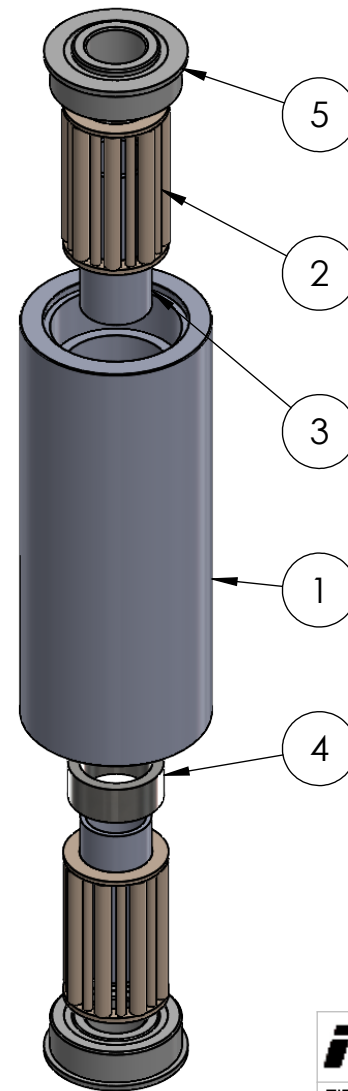
iTOOLco. (865)670-3713

TITLE:
Front Roller Assembly

SIZE DWG. NO.
A C10K-608

WEIGHT: 48Lbs SHEET 6 OF 9

ITEM NO.	PART NUMBER	DESCRIPTION	QTY.
1	C10K-441	Main Roller (zinc)	1
2	SP-173	Roller Bearing	2
3	SP-217	Inner Sleeve for Bearing SP-273	2
4	C10K-148	.42" of BM-28	1
5	SP-114	5/8" ID 1-3/8"OD Bearing	2



iTOOLco. (865)670-3713

TITLE:

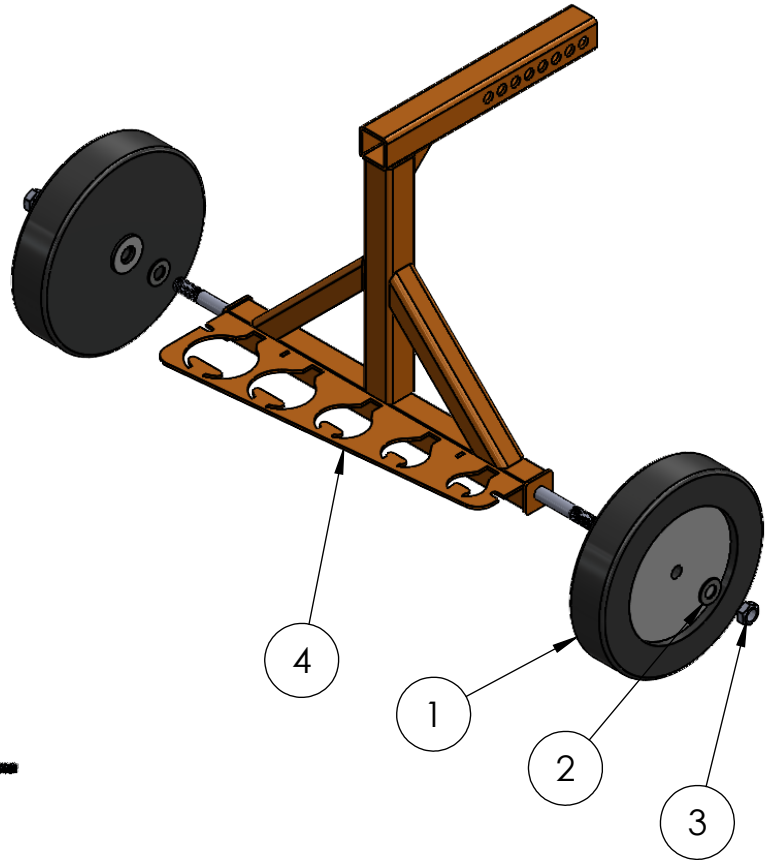
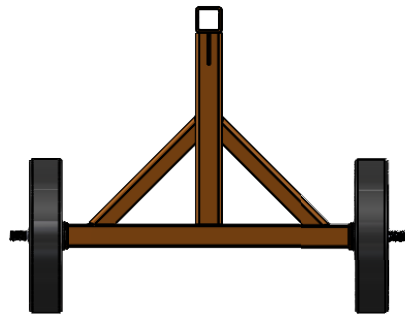
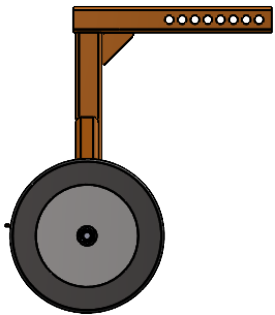
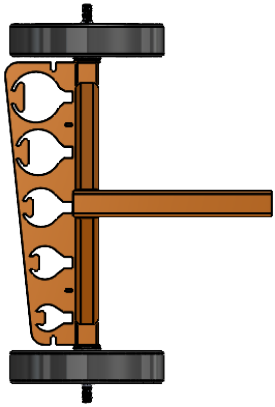
PROPRIETARY AND CONFIDENTIAL
 THE INFORMATION CONTAINED IN THIS
 DRAWING IS THE SOLE PROPERTY OF
 iTOOL co. ANY REPRODUCTION IN
 PART OR AS A WHOLE WITHOUT THE
 WRITTEN PERMISSION OF
 iTOOL co. IS PROHIBITED.

SIZE
A

DWG. NO.

C10K-607

SHEET 7 OF 9



IToolCo.

(865)670-3713

TITLE:

C10K-614

NAME E. James DATE 6/13/23

SIZE DWG. NO. REV
A C12K

SCALE: 1:20 WEIGHT: SHEET 8 OF 9

ITEM NO.	PART NUMBER	DESCRIPTION	QTY.
1	SP-129	12" x 3" wheel	2
2	HW-190	3/4" SAE Washer	4
3	HW-198	3/4" 10T Nylock Nut	2
4	C10K-414	Wheeled frame	1

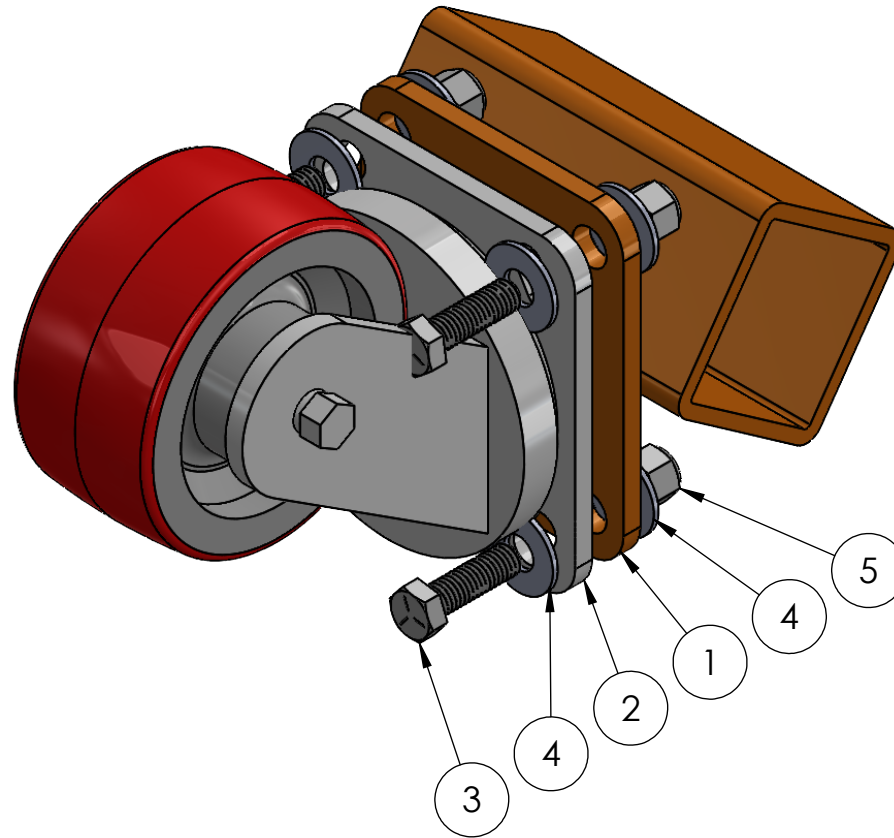
5

4

3

2

1



IToolCo.

(865)670-3713

TITLE:

C10K-648

NAME E. James DATE 6/15/23

SIZE DWG. NO. REV
A C12K

SCALE: 1:20 WEIGHT: SHEET 9 OF 9

ITEM NO.	PART NUMBER	DESCRIPTION	QTY.
1	C10K-448	Caster Base	1
2	SP-170	4 x 2 Swivel Caster	1
3	HW-135	3/8"-16T x 1.25 Hex Bolt	4
4	HW-146	3/8" Washer	8
5	HW-150	3/8 16T x nyloc nut	4

5

4

3

2

1