

<b>ITool</b> co.		(865)670-3713
TITLE: Wire Cart XL		
NAME	E. James	DATE 6/14/22
SIZE	DWG. NO. WCXL01	
SCALE: 1:19	WEIGHT:	SHEET 1 OF 4

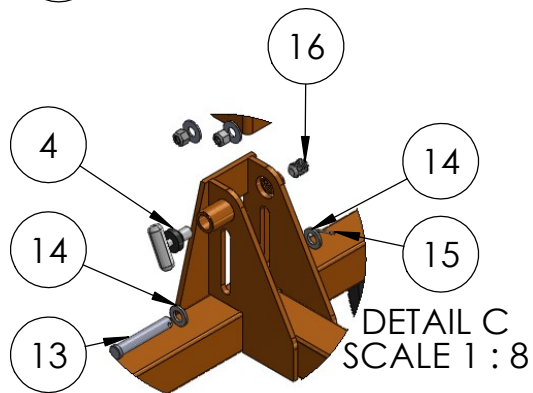
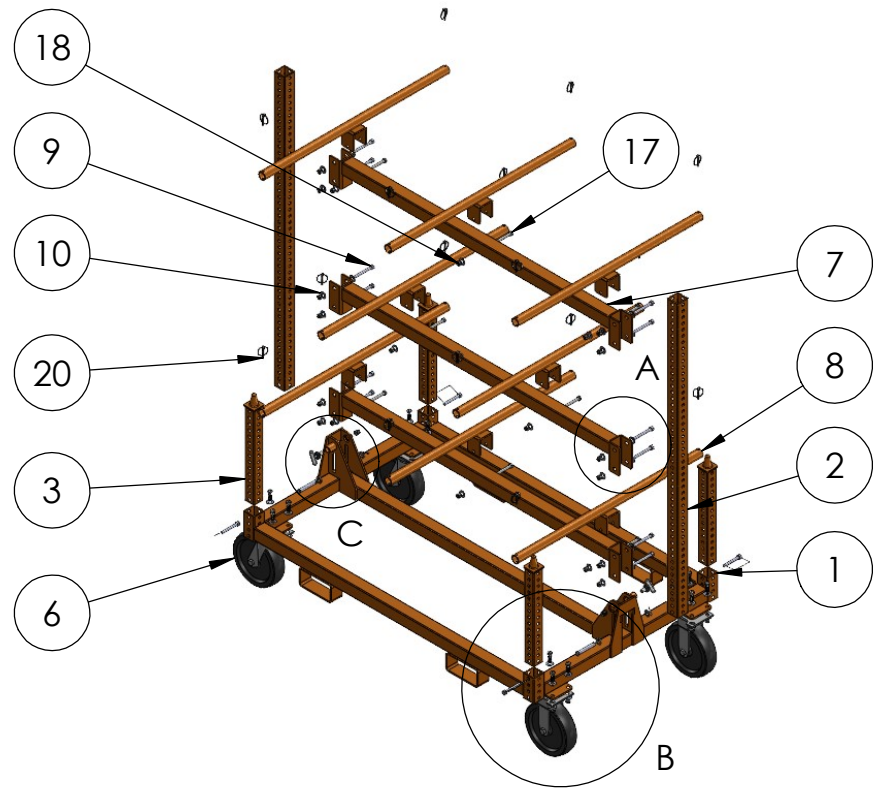
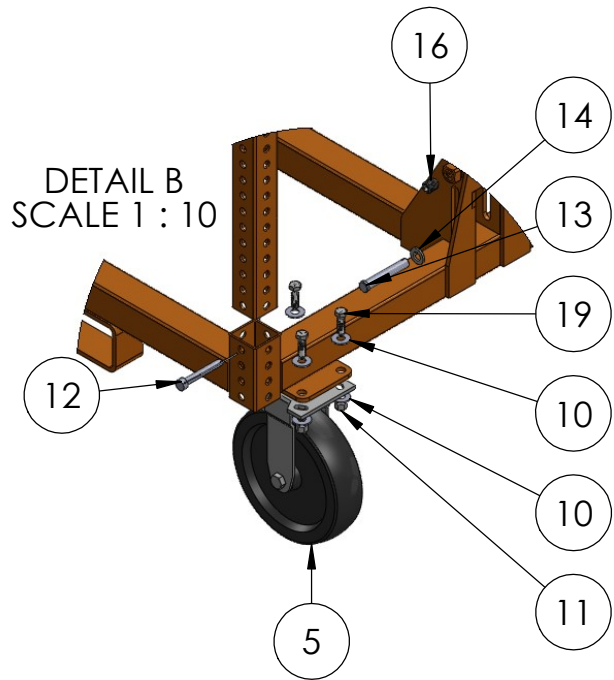
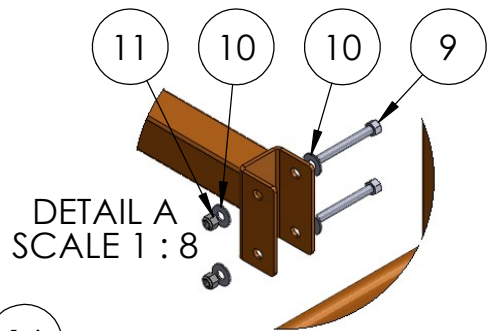
5

4

3

2

1



**IToolCo.**

(865)670-3713

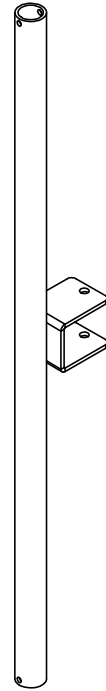
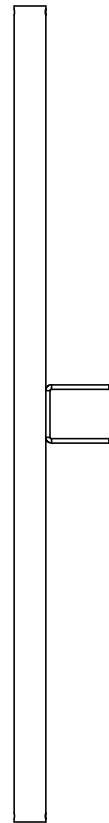
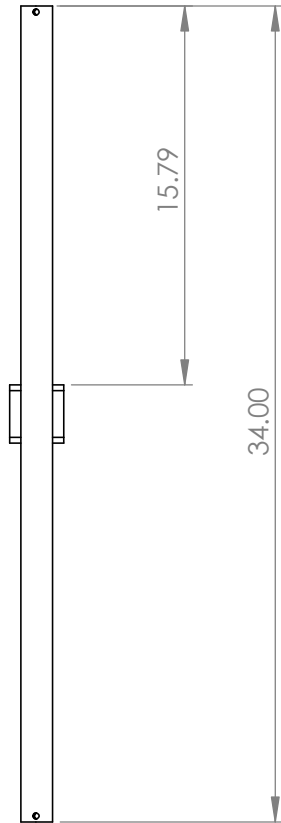
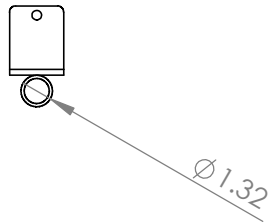
TITLE: Wire Cart XL  
Exploded View

NAME	E. James	DATE	6/14/22
SIZE	DWG. NO.	REV	
<b>A</b>	<b>WCXL01</b>		

SCALE: 1:25 WEIGHT: SHEET 2 OF 4

ITEM NO.	PART NUMBER	DESCRIPTION	QTY.
1	PFC-401	Cart Base	1
2	PFC-404M	50' of BM-63 Machined	2
3	PFC-405	Extendable Foot	4
4	SP-001.2	Pull Pop Pin	2
5	SP-241	8" Pheniloc Swivel Caster	2
6	SP-240	8" Phenolic Rigid Caster	2
7	WCXL-408	Cross Bar Assembly	3
8	WCXL-409	Wire Bar for PFC Cart	8
9	HW-142	.375x 16 x 3. bolt	12
10	HW-146	3/8" Washer	72
11	HW-306	3/8 16T x nyloc nut	28
12	SP-181	3/8 Pin w/ retainer	4
13	HW-254	1/2" X 3"L Clevis pin	2
14	HW-321	12mm flat washer	4
15	HW-222	1/8" cotter pin	2
16	HW-305	5/8"- 11 x 3/4" Set Screw	2
17	HW-142	3/8" 16t X 3" Hex Bolt	8
18	HW-150	3/8"-16T Nylock Hex	8
19	HW-135	3/8"-16T x 1.25 Hex Bolt	16
20	HW-256	3/16" Linch pin	16

<b>IToolCo.</b>		(865)670-3713	
TITLE: <b>Wire Cart XL Bill of Materials</b>			
NAME	E. James	DATE	6/14/22
SIZE	DWG. NO.	REV	
<b>A</b>	<b>WCXL01</b>		
SCALE: 1:25		WEIGHT:	SHEET 3 OF 4



150 Lb. Capacity Per Side.  
Up to 14" wide Spools

**ITool**co.

(865)670-3713

TITLE:

Wire Bar Assembly

NAME D. Jordan DATE 6/14/22

SIZE DWG. NO. REV  
**A** WCXL01

SCALE: 1:25 WEIGHT: SHEET 4 OF 4