

# MANHOLE ADAPTER™

EASILY MOUNT PULLING EQUIPMENT  
OVER MANHOLES AND JUNCTION BOXES

**iTOOLco.**



Easily mount over manholes.



Convenient accessory hooks.

Get better stability and versatility when pulling wire over manholes with iTOOLco's Manhole Adapter™. Tough all steel construction provides a secure platform that fits 18" to 36" manholes. Simply use the frame to position the wire puller above the manhole, secure in place with steel anchoring points (provided), and begin pulling wire. Designed to work with every iTOOLco wire puller from the Cannon 6K™ up to the Cannon 12K™, the Manhole Adapter™ is also compatible with iTOOLco 24" and 36" Multi-Rollers™ and many other iTOOLco products.



Shown with iTOOLco's  
24" Multi Roller.

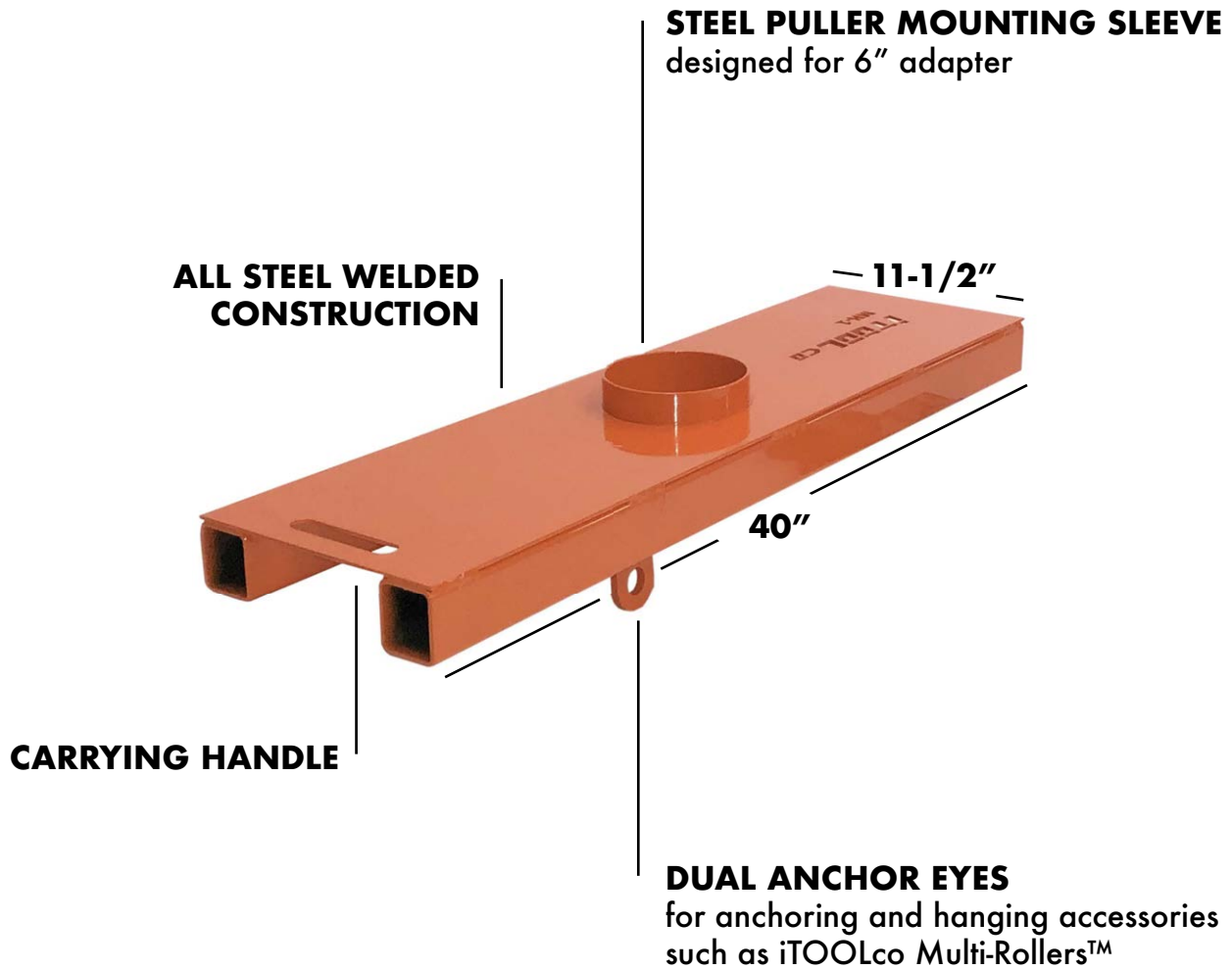
**FASTER SAFER WORKSPACE**



# MANHOLE ADAPTER™

EASILY MOUNT PULLING EQUIPMENT  
OVER MANHOLES AND JUNCTION BOXES

**iTOOLco.**



Model	Description	Specifications
<b>MHA1</b>	Manhole Adapter™	40"L x 11-1/2"W x 2-3/4"H 63 lb.

UPC #650270092344



**Patent Pending**