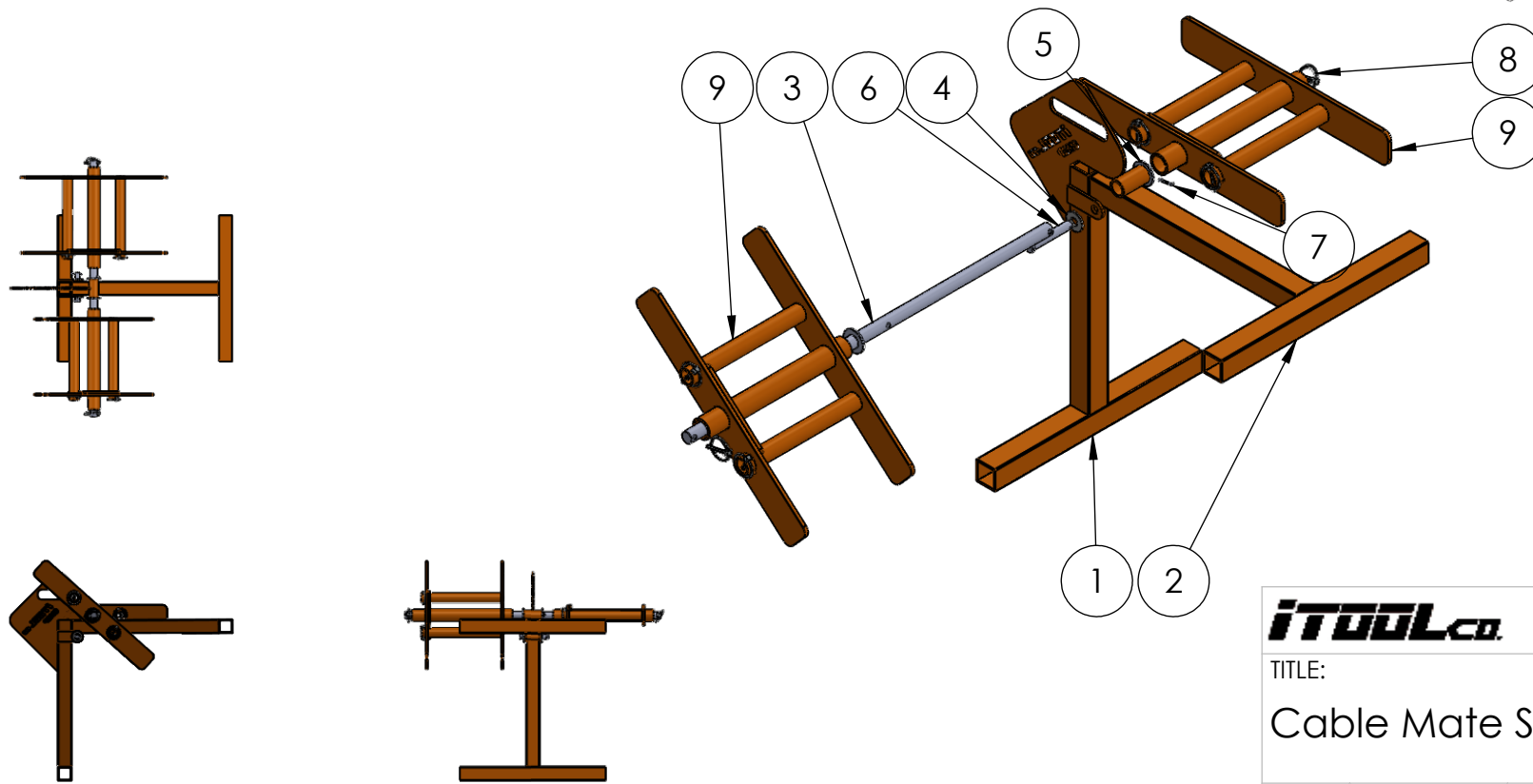
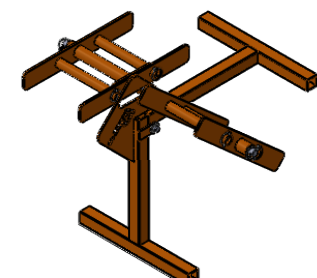


ITEM NO.	PART NUMBER	DESCRIPTION	QTY.
1	CM-403	CM2P Top Handle	1
2	CM-404	CM2P Lower Leg	1
3	CM-405	CM2P Axle	1
4	HW-166	1/2" flat washer	2
5	HW-190	3/4" SAE Washer	1
6	HW-254	1/2" X 3"L Clevis pin	1
7	HW-222	1/8" cotter pin	2
8	HW-256	3/16" Linch pin	2
9	MCA01	Cable Mate	2



IToolCo. (865)670-3713

TITLE:
Cable Mate Stand 2 Pair

NAME	D. Jordan	DATE	??
SIZE	DWG. NO.	REV	
A	CM2P		
SCALE: 1:20	WEIGHT:	SHEET 1 OF 1	