

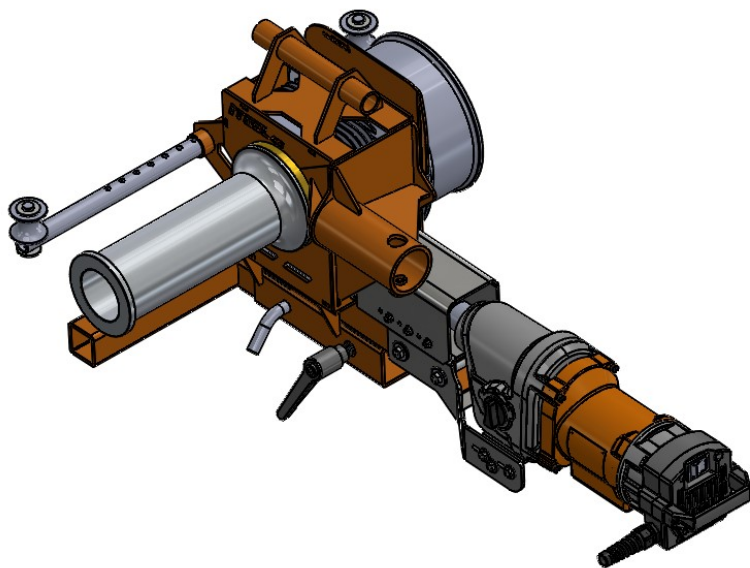
# Gearbox Base and Motor Repair Shipment Instructions

Please Remove puller Extensions, Rollers, Carts, and Wheel Frames only. The pictures below represent what the IToolco factory service team will need to perform repairs dependent on Pulling Model.

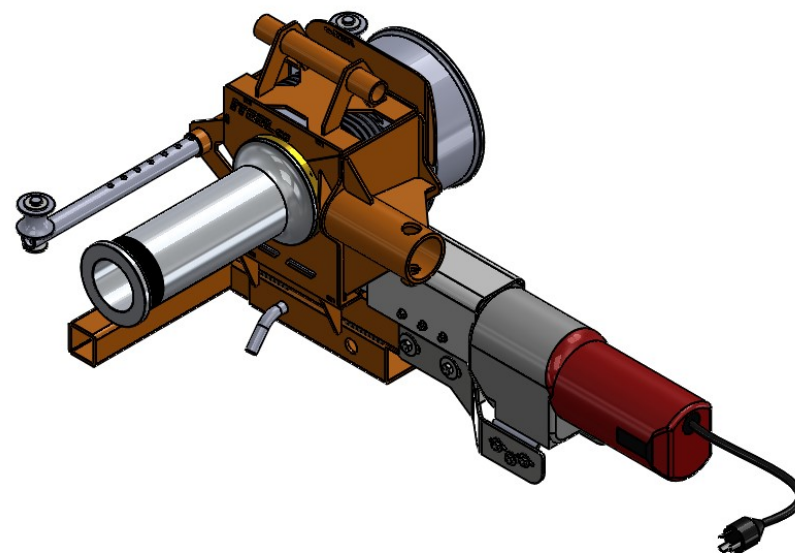
Please firmly secure and cover or shrink wrap Gearbox Base to an appropriately sized pallet (C12K,C10K,C6K,UP6K) or Box (CM3K,C3K. Print and Include RMA Paperwork and Service Ticket emailed from IToolco Team member.

Ship to: 1325 Carden Farm Dr. Clinton, TN 37716 ATTN: Service

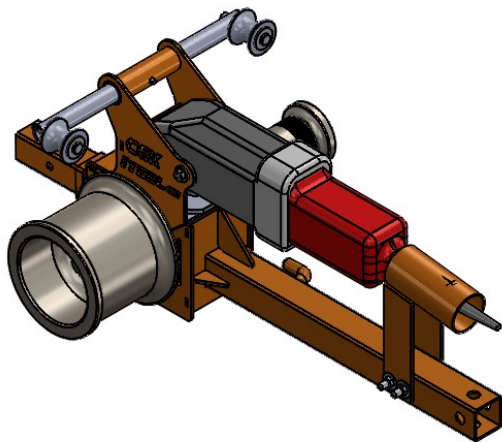
C12K-606 (Freight only,Palletize)



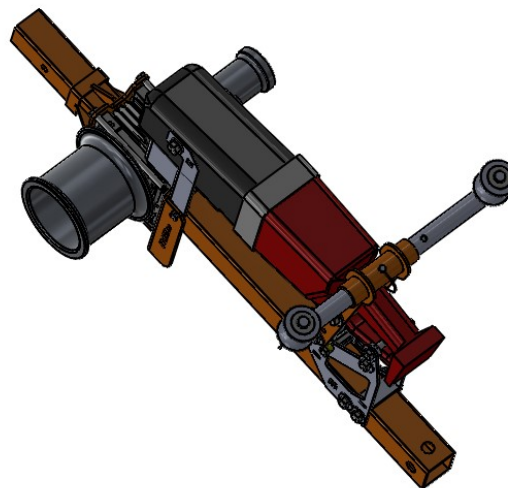
C10K-606 (Freight only,Palletize)



C6K-602 (Freight or Parcel, palletize or box accordingly)



C3K-603 (FedEx or UPS only, Box tightly with packing materials)



**ITOOLCO.**

(865)670-3713

TITLE:

Gearbox Base Repair Instructions

NAME	D. Jordan	DATE	??
SIZE	DWG. NO.	REV	
<b>A</b>			
SCALE: 1:24	WEIGHT:	SHEET 1 OF 1	