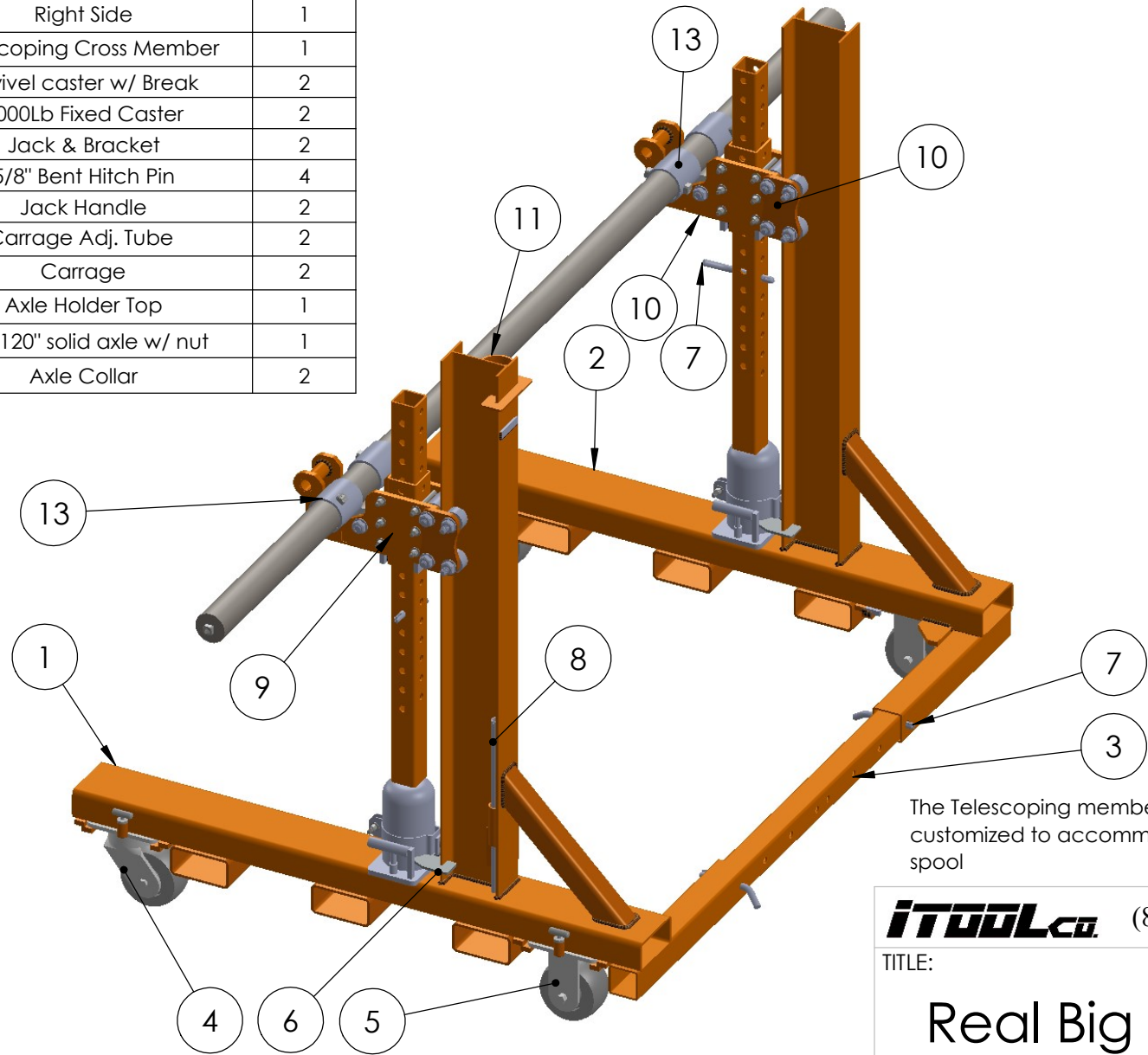


| ITEM NO. | PART NUMBER | DESCRIPTION | Default/ QTY. |
|----------|-------------|----------------------------|------------------|
| 1 | RBJ-407 | Left Side | 1 |
| 2 | RBJ-406 | Right Side | 1 |
| 3 | RBJ-410 | Telescoping Cross Member | 1 |
| 4 | SP-158 | Swivel caster w/ Break | 2 |
| 5 | SP-159 | 2000Lb Fixed Caster | 2 |
| 6 | RBJ-413 | Jack & Bracket | 2 |
| 7 | SP-185 | 5/8" Bent Hitch Pin | 4 |
| 8 | RBJ-417 | Jack Handle | 2 |
| 9 | RBJ-404 | Carrage Adj. Tube | 2 |
| 10 | RBJ-412 | Carrage | 2 |
| 11 | RBJ-409 | Axle Holder Top | 1 |
| 12 | AX09 | RBJ 120" solid axle w/ nut | 1 |
| 13 | RBJ-615 | Axle Collar | 2 |



The Telescoping member #3 can be customized to accommodate any width spool

IToolCo. (865)670-3713

TITLE:

Real Big Jacks

SIZE DWG. NO.
A RBJ20K

SCALE: 1:50 WEIGHT: 556Lbs. SHEET 1 OF 2

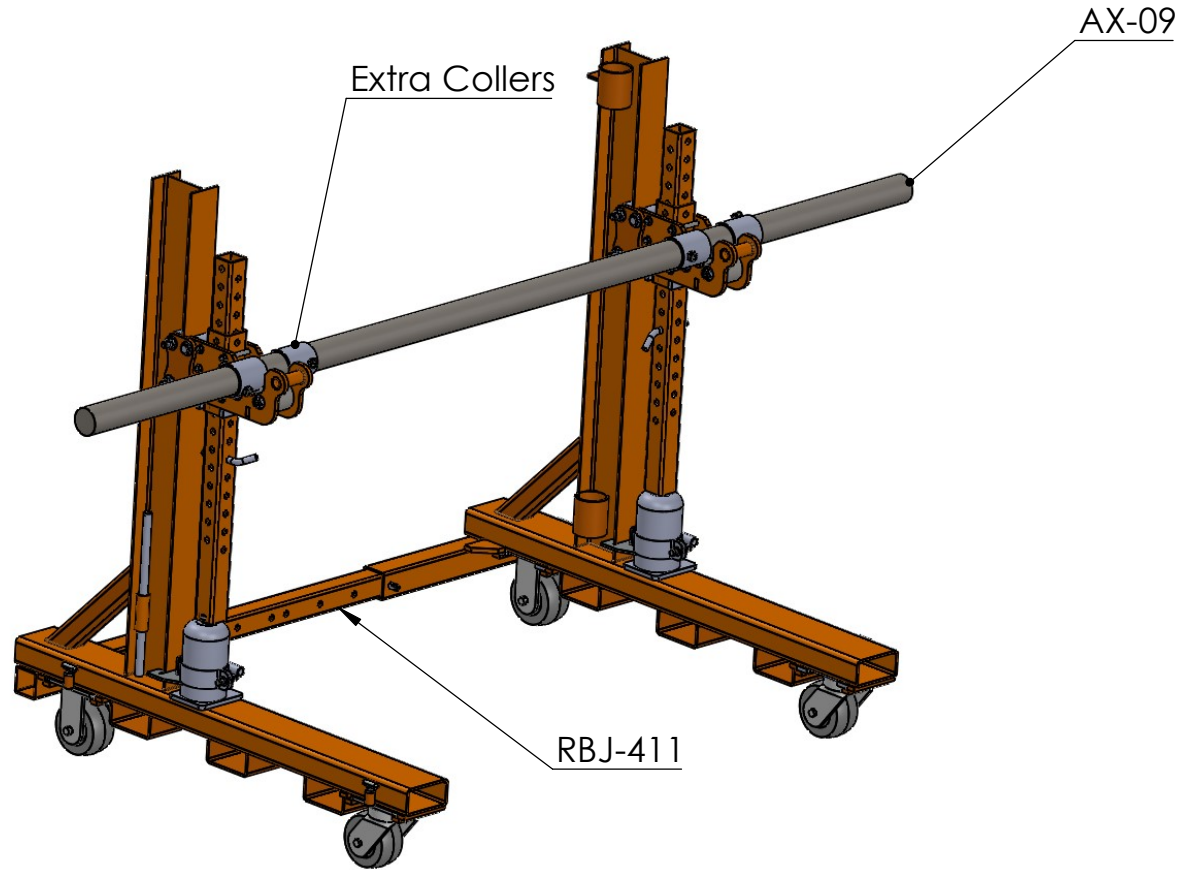
2

1

RBJA01 Kit Includes
 1- RBJ-411 Inner extension
 1- AX-09 10'x 3" solid axle
 2-RBJ-615 Axle collars

B

B



A

A

RBJA01
 Accessory Kit Installed

| | | |
|---------------------|---------------|--------------|
| SIZE | DWG. NO. | REV |
| A | RBJ20K | |
| SCALE: 1:20 WEIGHT: | | SHEET 2 OF 2 |

2

1