

IToolco.

(865)670-3713

TITLE:

Real Tender

SIZE

A

PART #

RT01

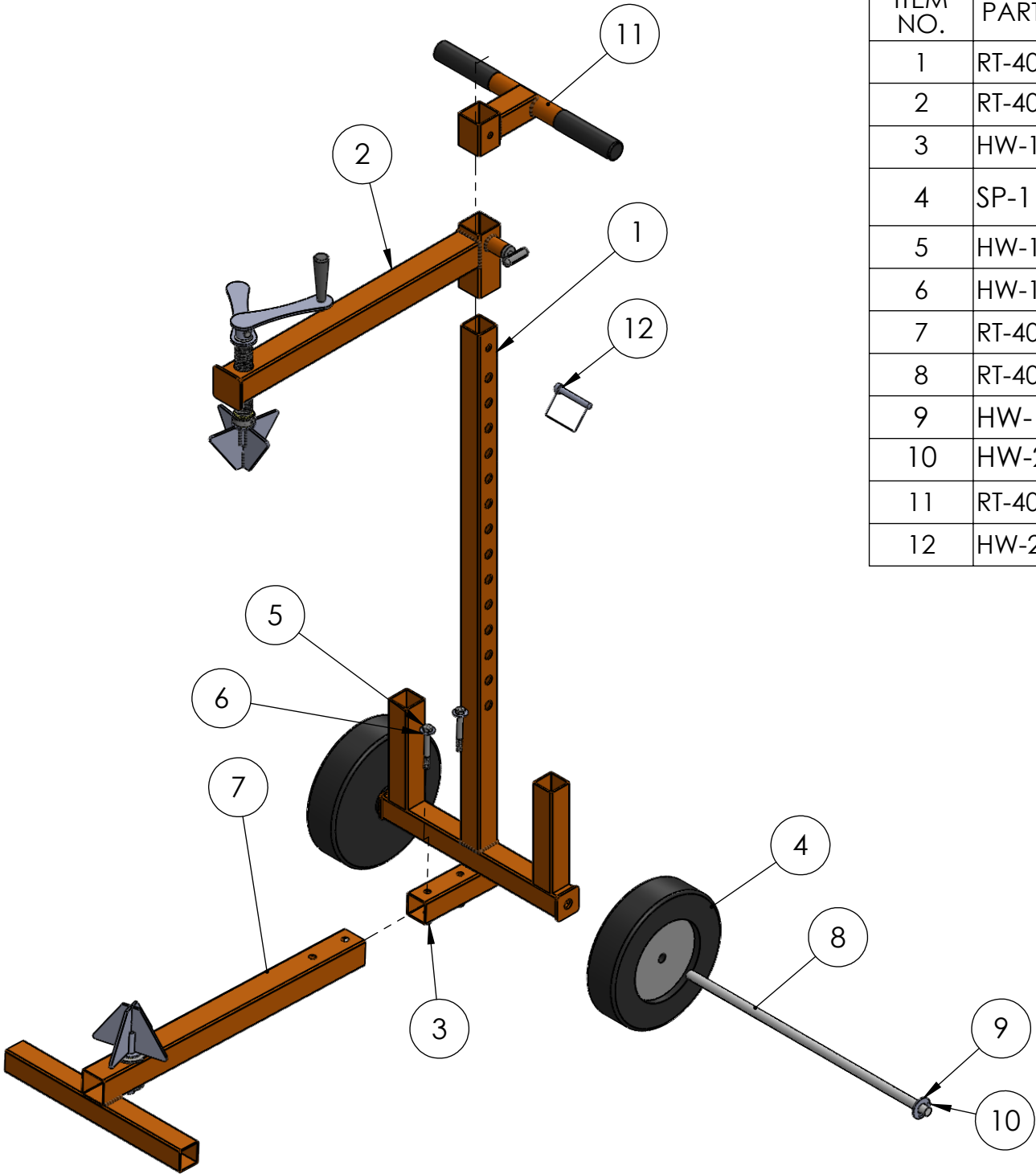
REV

SCALE: 1:10

WEIGHT:

SHEET 1 OF 4

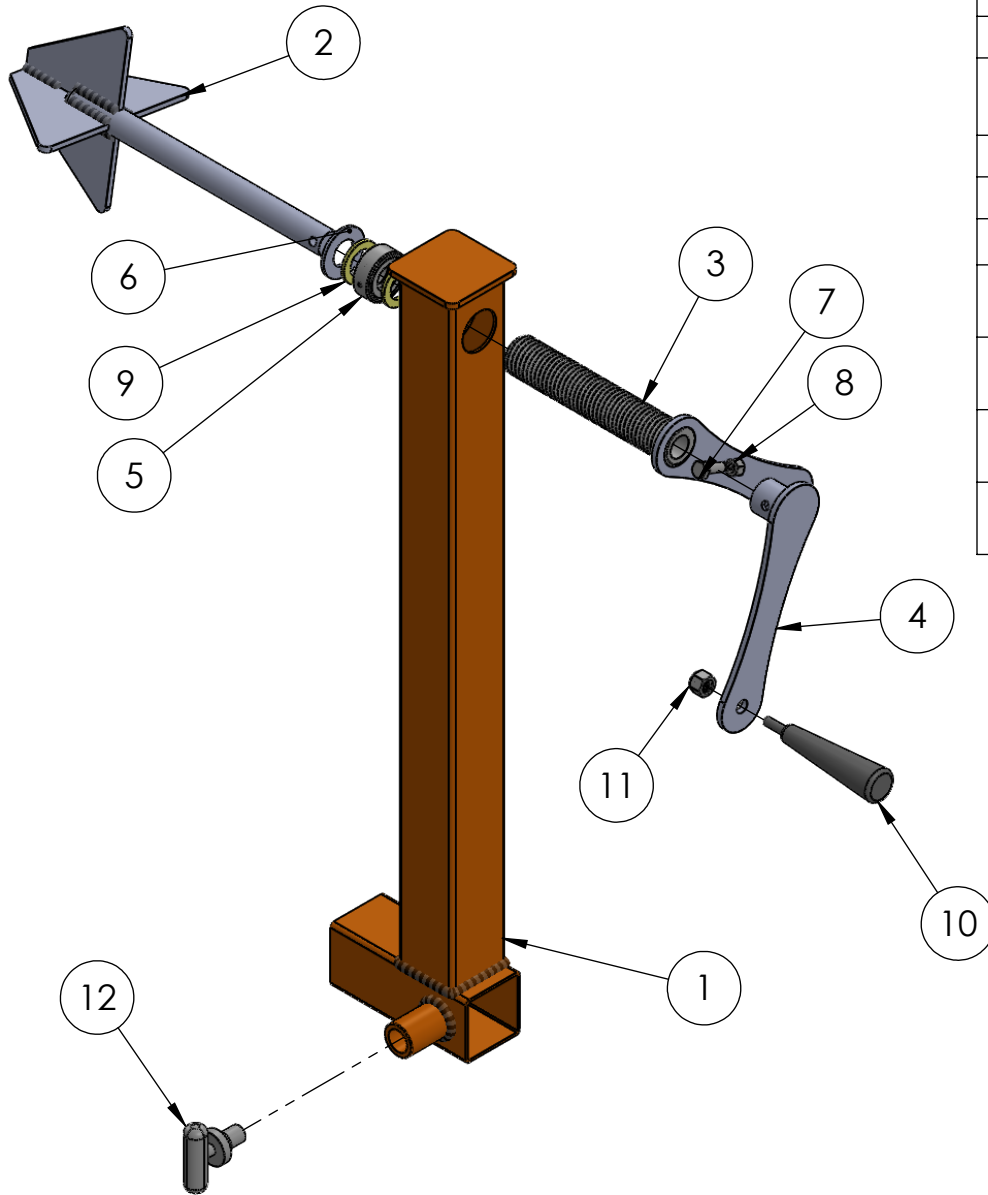
ITEM NO.	PART NUMBER	DESCRIPTION	QTY.
1	RT-401	Main Frame	1
2	RT-403	Adjustable arm	1
3	HW-150	3/8" 16T x nyloc nut	2
4	SP-113	10 inch wheel	2
5	HW-142	3/8" 16t X 3" Hex Bolt	2
6	HW-146	3/8" Flat Washer	4
7	RT-402	Fixed arm	1
8	RT-408	Axle	1
9	HW-176	5/8" SAE Washer	2
10	HW-222	1/8" cotter pin	2
11	RT-404	Handle	1
12	HW-252	3/8 Pin w/ retainer	1



IToolCo. (865)670-3713

TITLE:
Real Tender

NAME	D. Jordan	DATE	4/7/16
SIZE	PART #		
A	RT01		
SCALE: 1:10	WEIGHT:	SHEET 2 OF 4	



ITEM NO.	PART NUMBER	DESCRIPTION	QTY.
1	RT-303	Adjustable Arm	1
2	RT-406	Adj. arm cone (long)	1
3	RT-407	Threaded engagement handle	1
4	RT-409	Crank handle	1
5	SP-153	3/4" Shielded thrust bearing	1
6	HW-178	5/8" SAE Washer	1
7	91236A546	1-1/2" - 1/4" x 20t	1
8	HW-128	1/4 20 Nyloc nut	1
9	HW-192 Brass washer	.75 Brass washer	2
10	SP-137	Revolving handle	1
11	HW-150	3/8" 16T x nyloc nut	1
12	SP-001.2	Pull Pop Pin	1

IToolCo.

(865)670-3713

TITLE:

Adjustable Arm

SIZE	DWG. NO.	REV
A	RT-403	

SCALE: 1:5	WEIGHT:	SHEET 3 OF 4
------------	---------	--------------

5

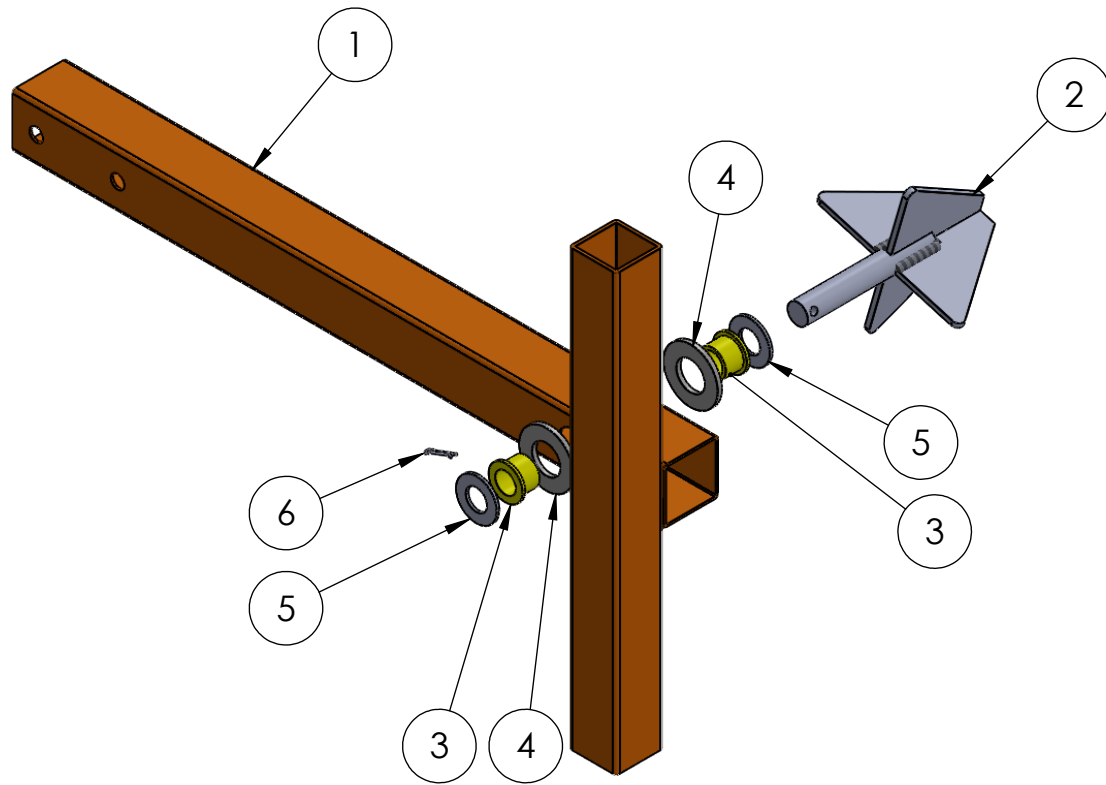
4

3

2

1

ITEM NO.	PART NUMBER	DESCRIPTION	QTY.
1	RT-410	Fixed arm frame	1
2	RT-405	Fixed arm cone (short)	1
3	SP-136	3/4" flanged bushing	2
4	HW-203	1"x 8t Castle Nut	2
5	HW-178	5/8" SAE Washer	2
6	HW-222	1/8" cotter pin	1



IToolCo. (865)670-3713

TITLE:
Fixed arm

SIZE	PART #	REV
A	RT-402	
SCALE: 1:5	WEIGHT:	SHEET 4 OF 4