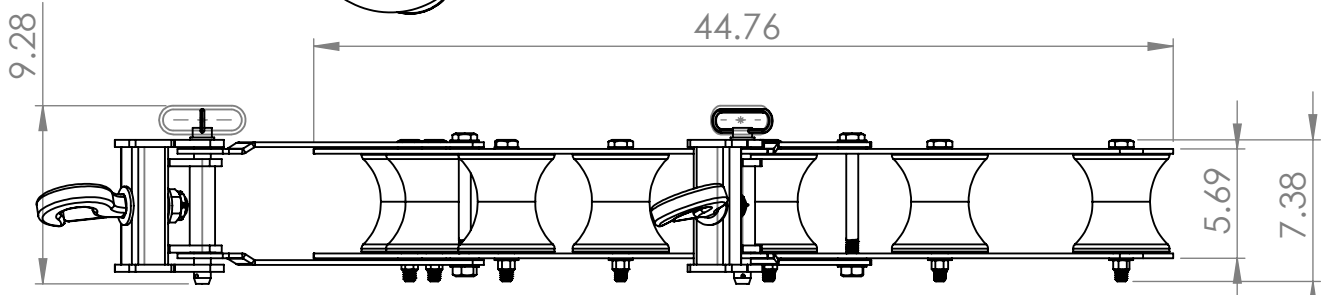
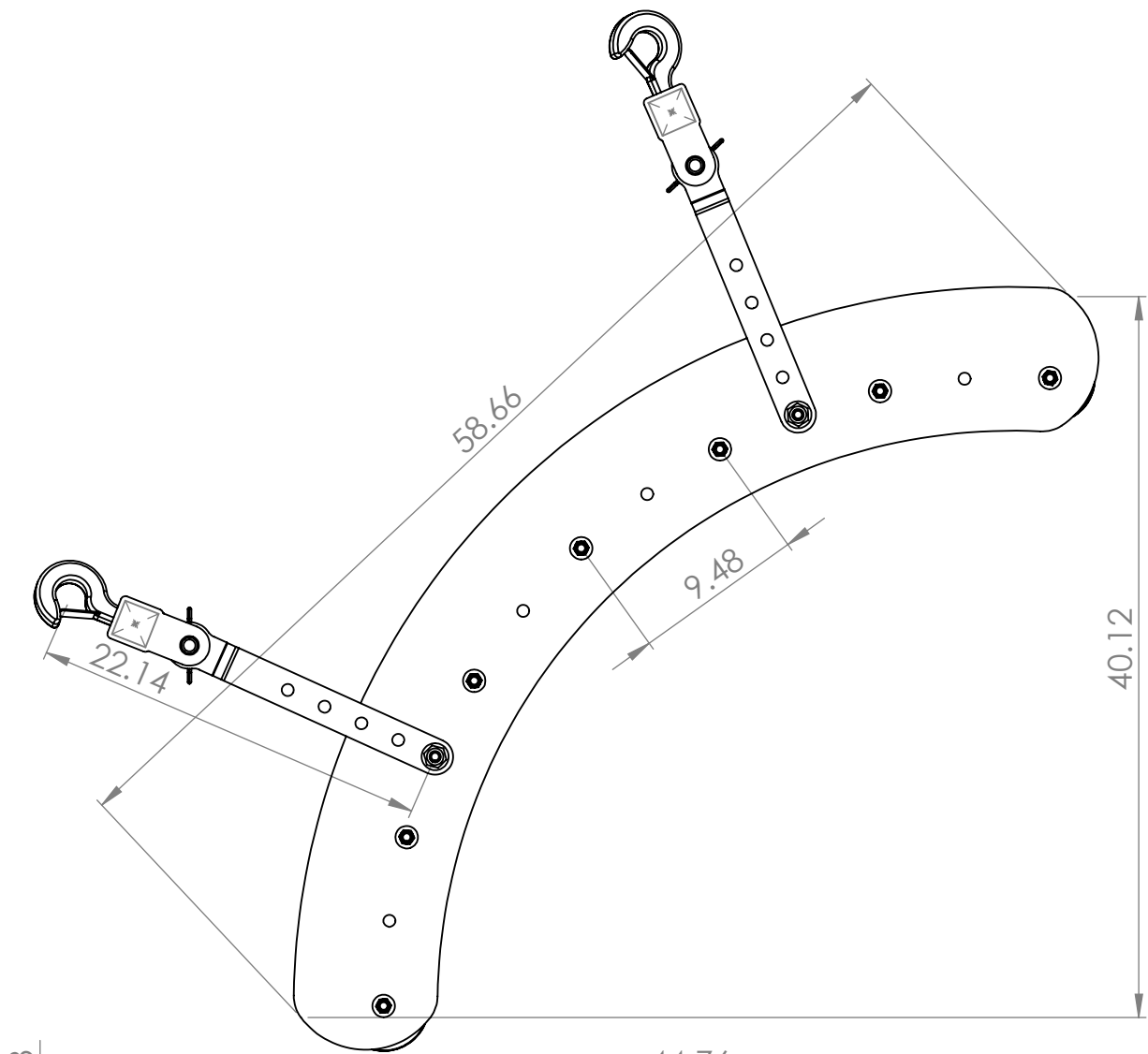


ITEM NO.	PART #	DESCRIPTION	QTY.
1	MR36-201	36" Alum Plate	2
2	SP-142	5" Roller	7
3	MR-402	Straight Laser	4
4	HS-402	Top bar & hook	2
5	HW-263	1 inch x 7 hitch pin	2
6	HW-177	.625" 11T x 7" L bolt	9
7	HW-166	1/2" flat washer	14
8	HW-168	1/2" 13t Nyloc nut	7
9	HW-176	5/8" SAE Washer	8
10	Hw-182	5/8" nyloc nut	2



IToolCo. (865)670-3713

TITLE:
36" Multi Roller

NAME	D. Jordan	DATE	??
SIZE	DWG. NO.	REV	
A	MR36		
SCALE: 1:10	WEIGHT:	SHEET 1 OF 1	