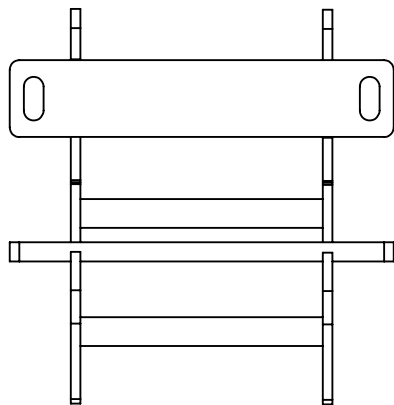
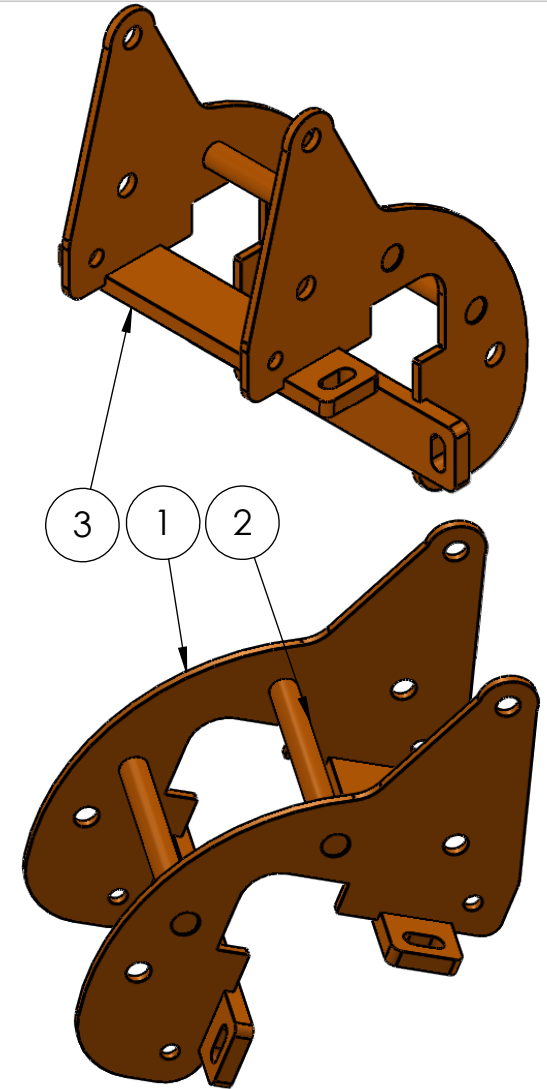
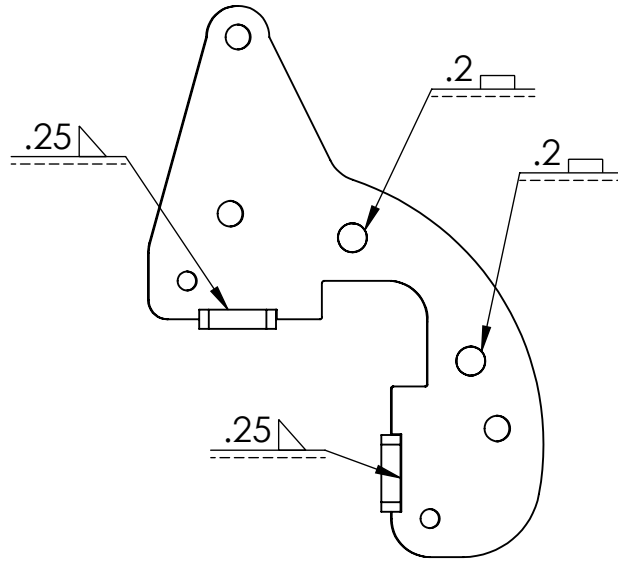
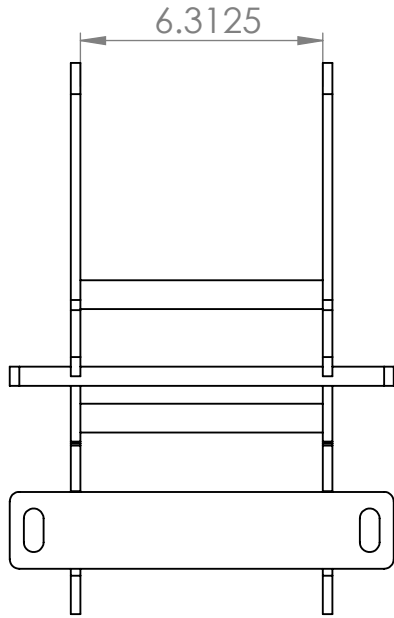


ITEM NO.	PART NUMBER	DESCRIPTION	QTY.
1	MR-203	Side Plate	2
2	MR-104	6.68" of BM-15	2
3	MR-205	1/2 Cross Bar	2



UNLESS OTHERWISE SPECIFIED: DIMENSIONS ARE IN INCHES TOLERANCES: ANGULAR: MACH +1/4*BEND ±.03 TWO PLACE DECIMAL ±.01 THREE PLACE DECIMAL ±.005 INTERPRET GEOMETRIC TOLERANCING PER: MATERIAL Steel FINISH Orange Powder Coat DO NOT SCALE DRAWING	NAME	DATE	iTOOL co. (865)670-3713
	DRAWN	D. Jordan 10/24/17	
	CHECKED		TITLE:
	ENG APPR.		Multi roller hanger
	Q.A.		SIZE DWG. NO. REV
	PROPRIETARY AND CONFIDENTIAL		A MRH-2436
THE INFORMATION CONTAINED IN THIS DRAWING IS THE SOLE PROPERTY OF iTOOL co. ANY REPRODUCTION IN PART OR AS A WHOLE WITHOUT THE WRITTEN PERMISSION OF iTOOL co. IS PROHIBITED.			SCALE: 1:5 WEIGHT: SHEET 1 OF 1