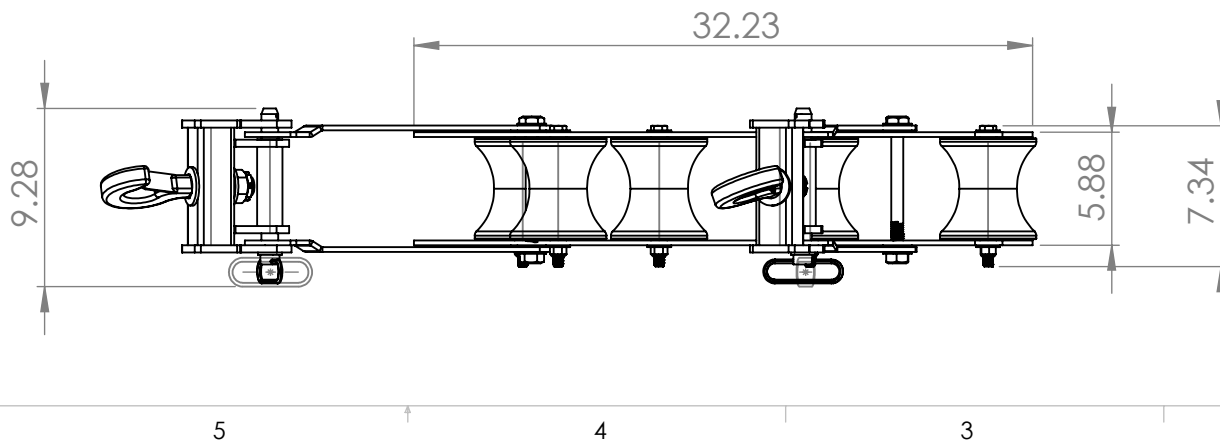


ITEM NO.	PART NUMBER	DESCRIPTION	QTY.
1	MR24-201	24" multi roller hanging alum laser	2
2	SP-142	5" Roller	5
3	HW-288	1/2" 13T x 7" Bolt	5
4	HW-166	1/2" flat washer	10
5	HW-168	1/2" 13t Nyloc nut	5
6	MR-102	5.0625" - .625" x .058w DOM	5
7	MR-402	Straight Laser	4
8	HS-402	Top bar & hook	2
9	HW-176	5/8" SAE Washer	8
10	HW-263	1 inch x 7 hitch pin	2
11	HW- 177	.625" 11T x 7" L bolt	2
12	Hw-182	5/8" nyloc nut	2



**IToolCo.**

(865)670-3713

TITLE:

**24" Multi Roller**

NAME D. Jordan DATE ??

SIZE DWG. NO. REV

**A MR24**

SCALE: 1:10 WEIGHT: SHEET 1 OF 1

5

4

3

2

1