

Slide MHA01 to edge of opening

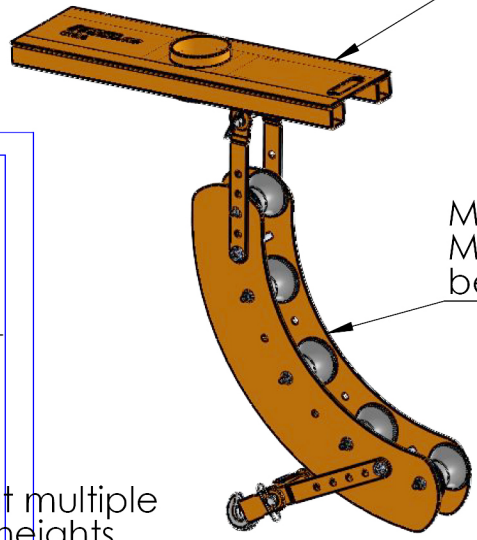
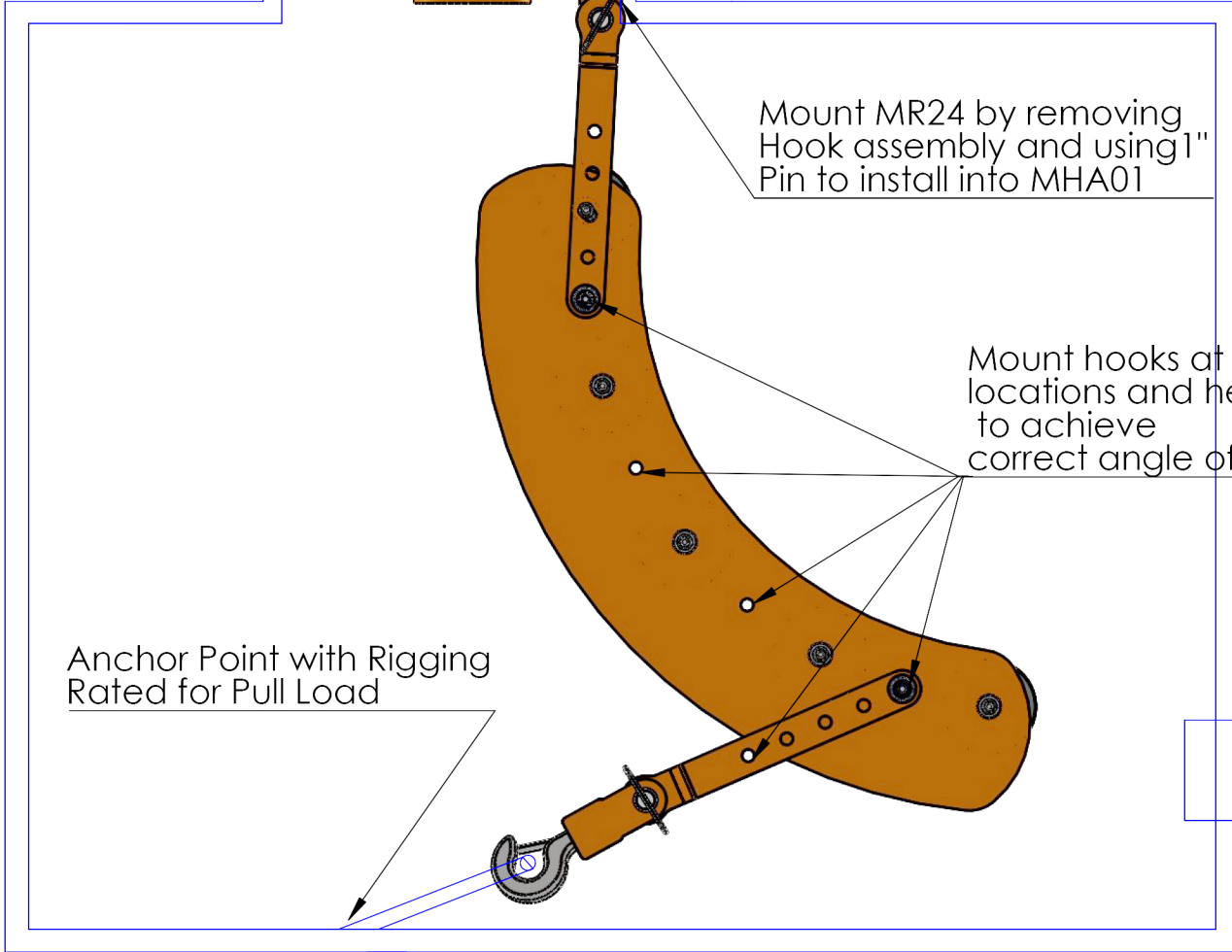
MHA01

Mount MR24 by removing Hook assembly and using 1" Pin to install into MHA01

MR24 shown MR36 can be used also

Mount hooks at multiple locations and heights to achieve correct angle of roller

Anchor Point with Rigging Rated for Pull Load



IToolCo.

(865)670-3713

TITLE:

NAME	D. Jordan	DATE	??
SIZE	DWG. NO.		REV
A	MHA01 with MR24 Installed		
SCALE: 1:50	WEIGHT:		SHEET 1 OF 1