



# User's Guide



## ***PIPE AND PREFAB CART***

100 MECO LANE | OAK RIDGE, TN 37830 | 865.670.3713 | ITOOLCO.COM  
© 2018 PROPERTY OF ITOOLCO



**BEFORE OPERATION OF THIS TOOL, READ AND UNDERSTAND ALL OF THE INSTRUCTIONS AND SAFETY INFORMATION IN THIS MANUAL**



## **Contents**

SAFETY FIRST .....	3
SAFETY ALERT SYMBOLS .....	3
IMPORTANT SAFETY INFORMATION FOR ITOOLCO PIPE & PREFAB CART .....	4
DESCRIPTION AND IDENTIFICATION .....	6
SET UP .....	8
OPERATION .....	10
LIMITED WARRANTY: ITOOLCO PIPE & PREFAB CART .....	11

## SAFETY FIRST

Safety is essential in the use and maintenance of this tool. This instruction manual and any markings on the tool provide information for avoiding hazards and unsafe practices related to the use of this tool. Observe all of the safety information provided.

### SAFETY ALERT SYMBOLS

This symbol is used to call your attention to hazards or unsafe practices that could result in injury or property damage. The three signal words, defined below, indicate the severity of the hazard. The message after the signal word provides the information for preventing or avoiding the hazard.



#### **DANGER**

Immediate hazards that, if not avoided, **WILL** result in severe injury or death.



#### **WARNING**

Hazards that, if not avoided, **COULD** result in severe injury or death.



#### **CAUTION**

Hazards or unsafe practices that, if not avoided, **MAY** result in injury or property damage.

## IMPORTANT SAFETY INFORMATION FOR ITOOLCO PIPE & PREFAB CART



### **WARNING**

Read and understand all instructions and safety information in this manual before operating or servicing this tool.

FAILURE TO OBSERVE THESE WARNINGS CAN RESULT IN SEVERE INJURY OR DEATH



### **WARNING – PERSONAL SAFETY HAZARDS**

Only qualified persons should use iTOOLCo's Pipe and Prefab Cart.

Wear eye protection and hard hat when using this tool.

Do not use this tool while tired or under the influence of drugs, alcohol, or medication.

Keep body parts and loose clothing away from moving parts.

Always follow operating procedures.

FAILURE TO OBSERVE THESE WARNINGS CAN RESULT IN SEVERE INJURY OR DEATH.



### **WARNING – ENTANGLEMENT HAZARD**

Do not operate this tool while wearing loose-fitting clothing.

Retain long hair.

Keep hands away from wheels. Could pinch or crush a hand or body part.

FAILURE TO OBSERVE THESE WARNINGS CAN RESULT IN SEVERE INJURY OR DEATH.

**WARNING – TOOL USE HAZARDS**

Use this tool for manufacturer's intended purpose only. Use other than that which is described in this manual can result in injury or property damage.

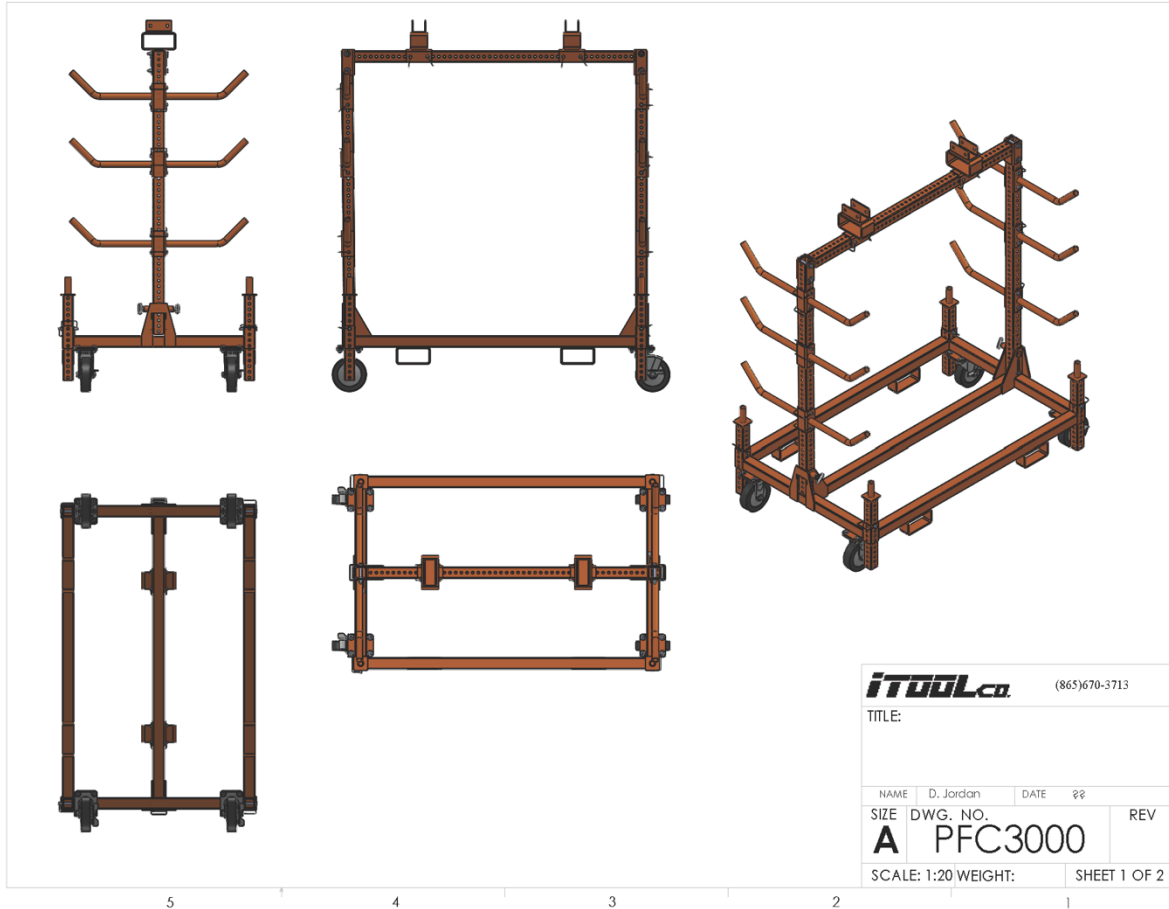
FAILURE TO OBSERVE THESE WARNINGS CAN RESULT IN SEVERE INJURY OR DEATH.

**WARNING – TIPPING HAZARD**

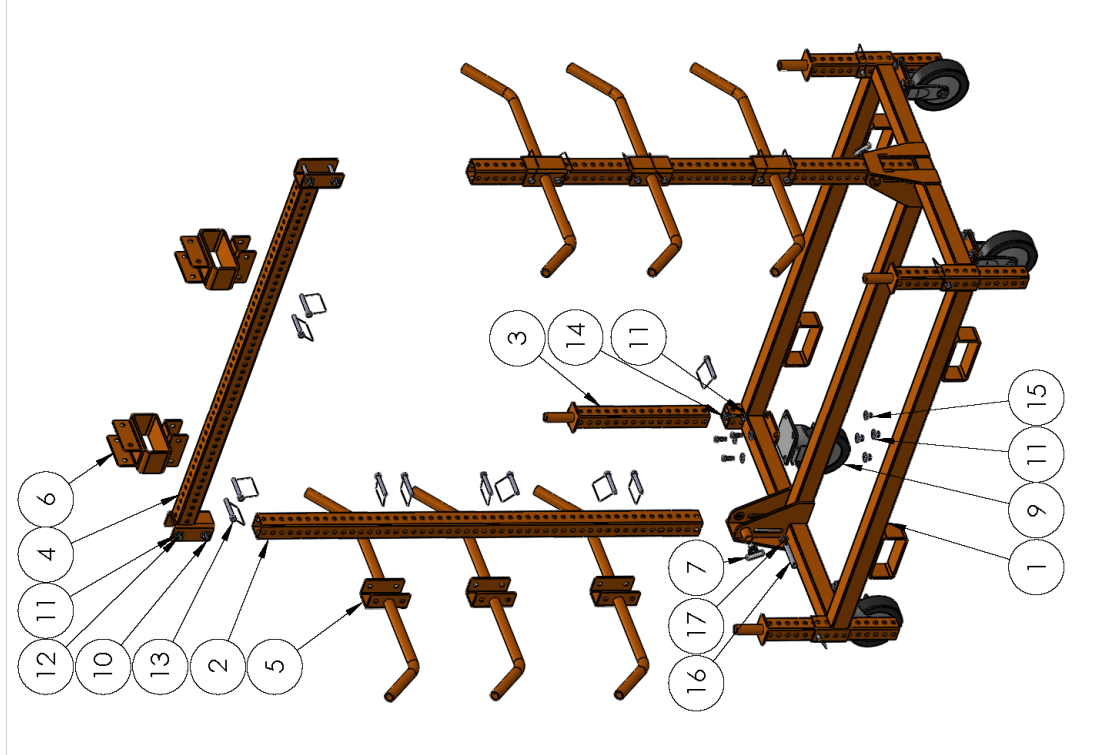
Use caution when moving the Pipe and Prefab Cart on uneven surfaces. FAILURE TO OBSERVE THIS WARNING COULD RESULT IN SEVERE INJURY OR DEATH.

## DESCRIPTION AND IDENTIFICATION

iTOOLco Pipe & Prefab Cart is designed to carry wire and supplies for more efficient wire pulls. With their light weight, compact design, and convenient handles, Pipe & Prefab Carts are easy to store, carry, and use.



ITEM NO.	PART NUMBER	DESCRIPTION	QTY.
1	PFC-401	Cart Base	1
2	PFC-404M	50" of BM-63 Machined	2
3	PFC-405	Extendable Foot	4
4	PFC-406	Top Bar	1
5	PFC-407	Rack Bar	6
6	PFC-403	Forklift Pocket	2
7	SP-001.2	Pull Pop Pin	2
8	SP-146	Fixed Wheel	2
9	SP-147	Caster wheel w/ break	2
10	HW-142	.375x 16 x 3. bolt	4
11	HW-166	1/2" Flat Washer	40
12	HW-306	1/2" 13T x nyloc nut	4
13	SP-181	3/8 Pin w/ retainer	20
14	HW-150	3/8" nyloc nut	16
15	HW-150	3/8" Nylock Nut	16
16	HW-254	1/2" X 3"L Clevis pin	2
17	HW-321	12mm flat washer	4
18	HW-222	1/8" cotter pin	2



**IToolCo** (865)670-3713

TITLE:

SIZE DWG. NO. REV  
**A** PFC3000

Date WEIGHT: SHEET 2 OF 2

**PROPRIETARY AND CONFIDENTIAL**  
 THE INFORMATION CONTAINED IN THIS DRAWING IS THE SOLE PROPERTY OF ITOOL CO. A WHOLE OR PART THEREOF IS TO BE KEPT IN SECRECY AND NOT REPRODUCED OR TRANSMITTED IN ANY FORM OR BY ANY MEANS, ELECTRONIC OR MECHANICAL, WITHOUT THE WRITTEN PERMISSION OF ITOOL CO. IS PROHIBITED.

## SET UP

1. Install wheels ensuring nuts and bolts are secure. Fig. 1.



Figure 1

2. Stand vertical uprights in fixed position. Fig. 2.



Figure 2

Ensure that the base pop pin is securely engaged. Fig. 3



Figure 3



3. Install upper crossmember arm at highest position possible using bolts provided. Fig. 4.



Figure 4

Ensure lock nuts and bolts are secure. Fig. 5.

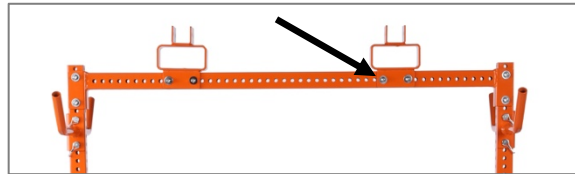


Figure 5

## OPERATION

1. For transportation, lower telescoping outrigger brakes to a position engaging the floor with the wheels off the ground. Fig. 6.



Figure 6

2. CAUTION: Upper forklift pockets should ALWAYS be bolted on with provided grade 5 bolts and lock nuts. Fig 7.
3. To flip orientation of the forklift pockets, remove bolts then turn unit over. Reinstall nuts and bolts. Fig 7.

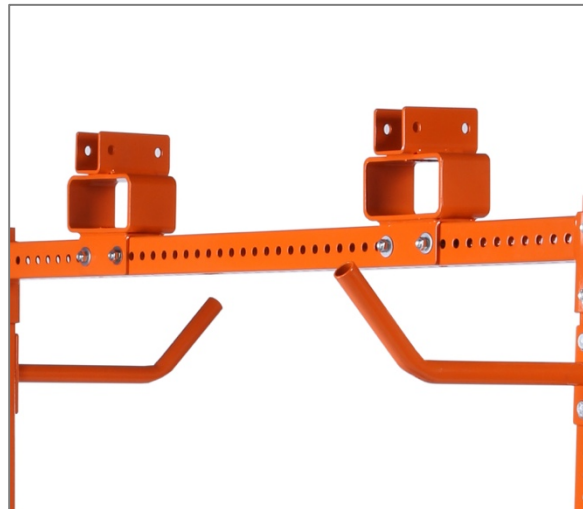


Figure 7

## LIMITED WARRANTY: ITOOLCO PIPE & PREFAB CART

iTOOLCO warrants all new Pipe & Prefab covered by this agreement, when properly used, to be free from defects in material and workmanship under normal use and service for which it is intended for a period of one year from date of delivery by the dealer. Date of delivery shall be the date product is placed in possession of the user. NORMAL WEAR FROM USE IS NOT PART OF THIS WARRANTY. This limited warranty is extended to the original user only and is not transferrable to, nor enforceable by any other person.

iTOOLCO will replace free of charge any part(s) of the product found to be defective when such part(s) is returned to iTOOLCO at the address shown below, freight prepaid. If the part(s) is found to be defective, iTOOLCO will refund freight charges paid by you in returning the defective part(s) and prepay replacement part(s) freight charges. iTOOLCO will not be responsible for more than replacement of any defective part(s) and standard freight charges (parcel post or UPS ground rate) of any part(s) found to be defective.

THIS IS THE EXCLUSIVE REMEDY. ITOOLCO SHALL NOT BE RESPONSIBLE OR LIABLE FOR ANY INCIDENTAL OR CONSEQUENTIAL DAMAGES RESULTING FROM ANY DEFECTS COVERED BY THIS WARRANTY OR ANY IMPLIED WARRANTY APPLICABLE TO THE PRODUCT INCLUDING, BUT NOT LIMITED TO, PROPERTY DAMAGE, LOSS OF USE OF PRODUCT, LOSS OF TIME, LOSS OF PROFITS, INCONVENIENCE, COMMERCIAL LOSS, LABOR COSTS, SERVICE TRIPS, AND MILEAGE.

Some states do not allow limitation on how long an implied warranty lasts, so the above limitation may not apply to you.

### Dealer/Distributor Warranty Claim Procedure

1. All warranty claims must be pre-approved by iTOOLCO Warranty Department PRIOR to starting any warranty work. Warranty work performed without prior approval will not be considered.
2. All claims must be handled through dealer/distributor.
3. Written approval must be received from iTOOLCO before return of merchandise. A Return Authorization is to be returned with the merchandise which is sent back.
4. All parts must be returned to iTOOLCO at the address shown below, freight prepaid.
5. The serial number of the product and the date of delivery must accompany the part(s) being returned.
6. If the part(s) is found to have failed because of a defect in material or workmanship, replacement will be made on a no-charge basis, and the part(s) returned, freight prepaid. Standard freight charges (parcel post or UPS ground rate) incurred in returning the part(s) will be refunded.
7. For reasons of expediency, replacement and/or repair part(s) may be shipped as soon as possible and billed to the dealer/distributor. When part(s) is returned, if it is covered under warrant, credit will be issued for the part(s) and freight charges.
8. All parts found to be defective shall be retained by and shall become the property of iTOOLCO. This warranty gives you specific legal rights, and you may also have other rights which vary from state to state.

Corporate Address: iTOOLCO  
100 Meco Lane  
Oak Ridge, TN 37830

