



User's Guide



TRST05

TRST10

TRST20

TRST30



TR9010



TR9005



ATR500

TRAY ROLLER



BEFORE OPERATION OF THIS TOOL, READ AND UNDERSTAND ALL OF THE INSTRUCTIONS AND SAFETY INFORMATION IN THIS MANUAL



Contents

| | |
|---|----|
| SAFETY FIRST..... | 3 |
| SAFETY ALERT SYMBOLS | 3 |
| IMPORTANT SAFETY INFORMATION FOR ITOOLCO TRAY ROLLERS | 4 |
| DESCRIPTION & IDENTIFICATION..... | 5 |
| SET UP & INSTALLATION | 7 |
| LIMITED WARRANTY: ITOOLCO TRAY ROLLERS | 10 |

SAFETY FIRST

Safety is essential in the use and maintenance of this tool. This instruction manual and any markings on the tool provide information for avoiding hazards and unsafe practices related to the use of this tool. Observe all of the safety information provided.

SAFETY ALERT SYMBOLS

This symbol is used to call your attention to hazards or unsafe practices that could result in injury or property damage. The three signal words, defined below, indicate the severity of the hazard. The message after the signal word provides the information for preventing or avoiding the hazard.



DANGER

Immediate hazards that, if not avoided, **WILL** result in severe injury or death.



WARNING

Hazards that, if not avoided, **COULD** result in severe injury or death.



CAUTION

Hazards or unsafe practices that, if not avoided, **MAY** result in injury or property damage.

IMPORTANT SAFETY INFORMATION FOR ITOOLCO TRAY ROLLERS



WARNING

Read and understand all instructions and safety information in this manual before operating or servicing this tool.

FAILURE TO OBSERVE THESE WARNINGS CAN RESULT IN SEVERE INJURY.



WARNING – PERSONAL SAFETY HAZARDS

Only qualified persons should use iTOOLCo Tray Rollers.

Do not use this tool while tired or under the influence of drugs, alcohol, or medication.

Always follow operating procedures.

FAILURE TO OBSERVE THESE WARNINGS CAN RESULT IN SEVERE INJURY.



WARNING – ENTANGLEMENT HAZARD

Do not operate this tool while wearing loose-fitting clothing.

Retain long hair.

Keep hands away from roller bearings. Could pinch or crush a hand or body part.

FAILURE TO OBSERVE THESE WARNINGS CAN RESULT IN SEVERE INJURY.



WARNING – TOOL USE HAZARDS

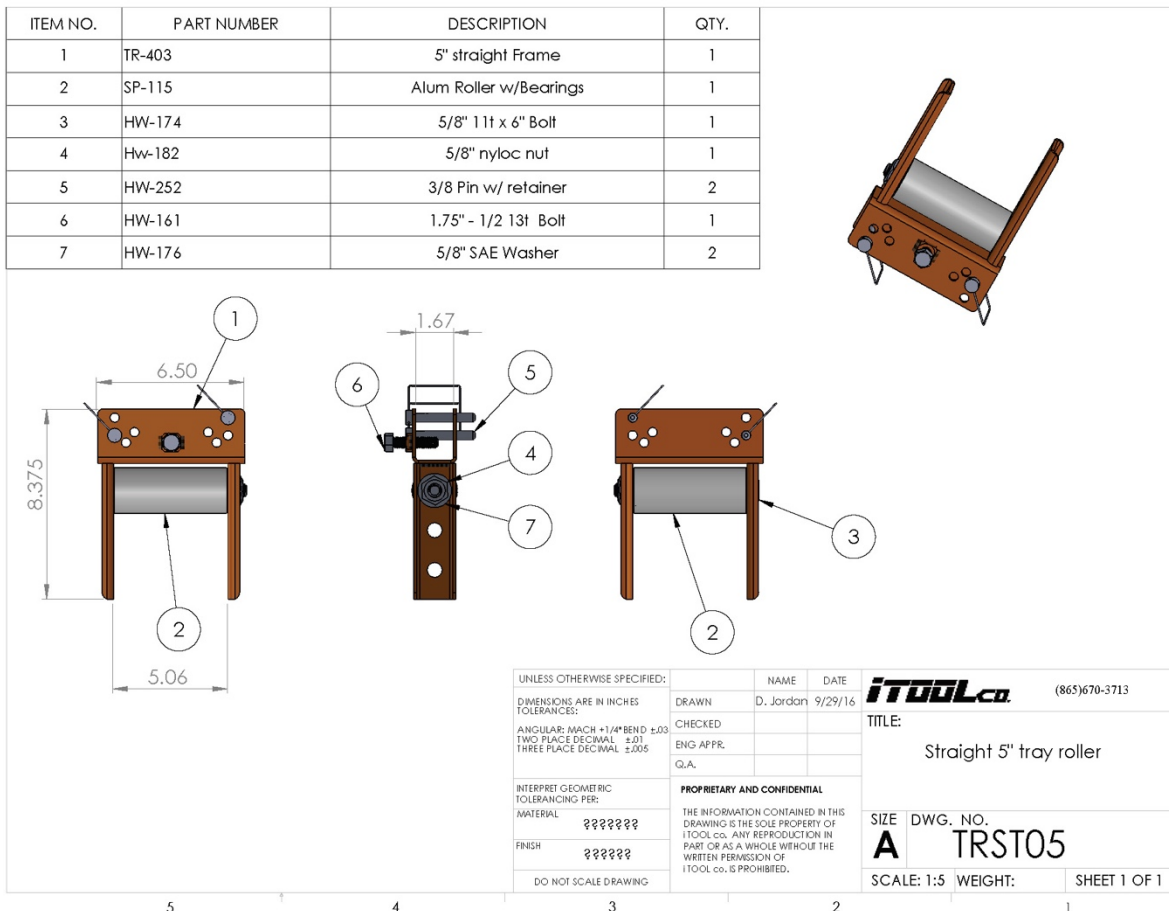
Use this tool for manufacturer's intended purpose only. Use other than that which is described in this manual can result in injury or property damage.

FAILURE TO OBSERVE THESE WARNINGS CAN RESULT IN SEVERE INJURY.

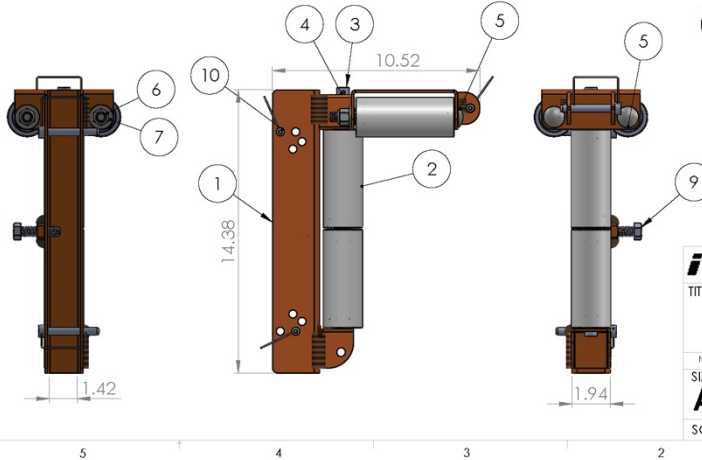
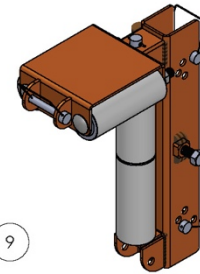
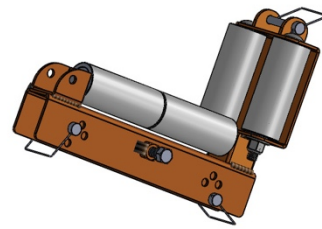
DESCRIPTION & IDENTIFICATION

iTOOLco's Cable **Tray Rollers** install in three easy steps and are compatible with more construction substrates than the competition. Installing 10X faster than standard tray rollers and secures into place with two locking underpins, iTOOLco Cable Tray Rollers withstand cable pulling loads of up to 2,000 lb.* and can install above or below the tray.

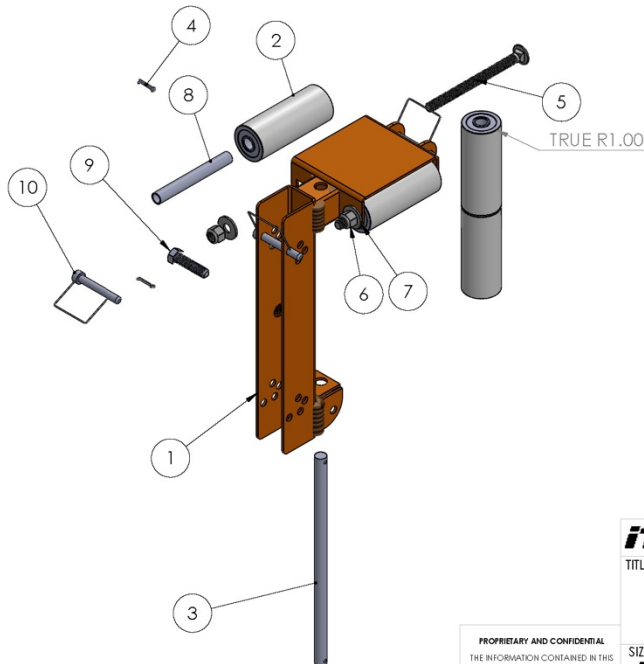
**Check tray manufacturer specs for maximum capacity.*



| ITEM NO. | PART NUMBER | DESCRIPTION | QTY. |
|----------|-------------|-------------------------------------|------|
| 1 | TR-402 | 10" 90° trapping tray roller | 1 |
| 2 | SP-115 | Alum Roller w/Bearings | 4 |
| 3 | TR-416 | 12.625" 5/8" zinc axle | 1 |
| 4 | HW-222 | 1/8" cotter pin | 2 |
| 5 | HW-287 | 1/2" x 6" Carriage Bolt | 2 |
| 6 | HW-168 | 1/2" 13t Nyloc nut | 2 |
| 7 | HW-166 | 1/2" flat washer | 2 |
| 8 | TR-114 | Bearing Sleeve 5-1/16" .625 x .058w | 2 |
| 9 | HW-161 | 1.75" - 1/2 13t Bolt | 1 |
| 10 | HW-252 | 3/8 Pin w/retainer | 3 |



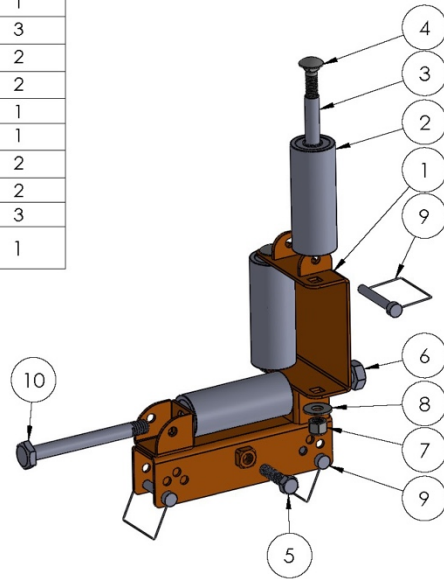
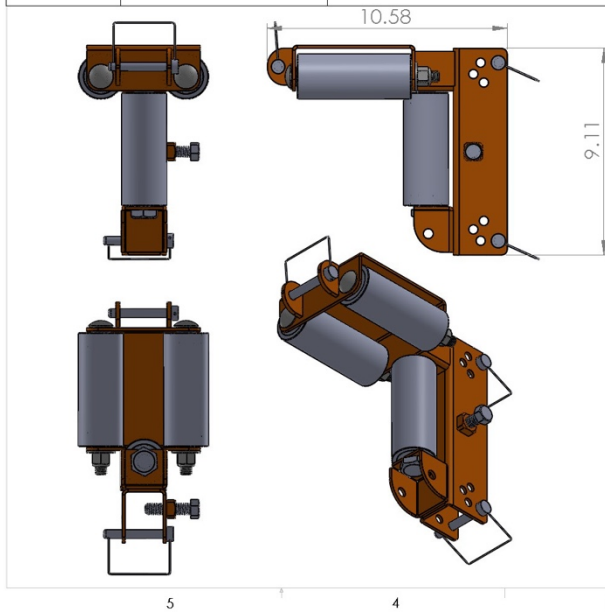
| | |
|--|------------------------|
| ITOOLCO (865)670-3713 | |
| TITLE: 90° 10" Trapping Tray Roller | |
| NAME D. Jordan | DATE 11/29/16 |
| SIZE A | DWG. NO. TR9010 |
| SCALE: 1:5 | WEIGHT: SHEET 1 OF 2 |



PROPRIETARY AND CONFIDENTIAL
THE INFORMATION CONTAINED IN THIS DRAWING IS THE SOLE PROPERTY OF ITOOL CO. ANY REPRODUCTION IN PART OR AS A WHOLE WITHOUT THE WRITTEN PERMISSION OF ITOOL CO. IS PROHIBITED.

| | |
|------------------------------|------------------------|
| ITOOLCO (865)670-3713 | |
| TITLE: Exploded View | |
| SIZE A | DWG. NO. TR9010 |
| Date | WEIGHT: SHEET 2 OF 2 |

| ITEM NO. | PART NUMBER | DESCRIPTION | QTY. |
|----------|-------------|-------------------------------------|------|
| 1 | TR-419 | 5" 90 degree tray weldment | 1 |
| 2 | SP-115 | Alum Roller w/Bearings | 3 |
| 3 | TR-114 | Bearing Sleeve 5-1/16" .625 x .058w | 2 |
| 4 | HW-287 | 1/2" x 6" Carriage Bolt | 2 |
| 5 | HW-161 | 1.75" - 1/2 13t Bolt | 1 |
| 6 | Hw-182 | 5/8" nyloc nut | 1 |
| 7 | HW-168 | 1/2" 13t Nyloc nut | 2 |
| 8 | HW-166 | 1/2" flat washer | 2 |
| 9 | SP-181 | 3/8 Pin w/ retainer | 3 |
| 10 | HW-174 | 5/8" 11t x 6" Bolt | 1 |



| | | |
|------------------------|---------------|---------------|
| IToolCo | | (865)670-3713 |
| TITLE: | | |
| 90* 5" Trapping Roller | | |
| NAME | D. Jordan | DATE ?? |
| SIZE | DWG. NO. | REV |
| A | TR9005 | |
| SCALE: 1:10 WEIGHT: | | SHEET 1 OF 1 |

SET UP & INSTALLATION

Set-up Straight Rollers

Product Numbers: TRST05, TRST10, TRST20, TRST30

1. Drop Tray Roller onto the supporting member.
2. Tighten the bolt.
3. Install locking underpins in the proper opening to secure the Tray Roller into place.



Fig. 1



Fig. 2



Fig. 3

Set-up of Trapping Feature for the 90 Degree Trapping Tray Roller

Product Number: TR9010 or TR9005

1. Drop one 90 Degree Tray Roller onto the supporting member.
2. Tighten the bolt.
3. Install locking underpins in the proper opening to secure the 90 Degree Tray Roller into place.
4. Drop the second 90 Degree Tray Roller on to the secured 90 Degree Tray Roller.
5. Secure together with locking pins



Fig. 1



Fig. 2



Fig. 3



Fig. 4



Fig. 5



Set-up of Adjustable Tray Roller

Product Number: ATR500

1. Drop Adjustable Tray Roller onto the supporting member and adjust the sliding arm so that it fits snugly against the supporting member's rails.
2. Tighten the wing nut to secure the Adjustable Tray Roller into place.

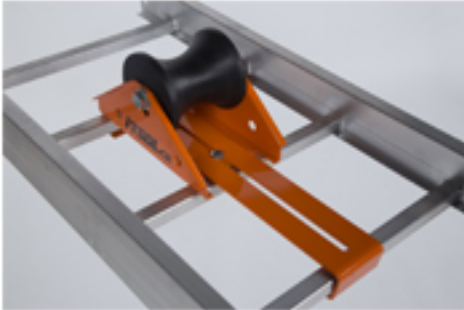


Fig. 1



Fig. 2



LIMITED WARRANTY: ITOOLCO TRAY ROLLERS

iTOOLco warrants all new Tray Rollers covered by this agreement, when properly used, to be free from defects in material and workmanship under normal use and service for which it is intended for a period of one year from date of delivery by the dealer. Date of delivery shall be the date product is placed in possession of the user. NORMAL WEAR FROM USE IS NOT PART OF THIS WARRANTY. This limited warranty is extended to the original user only and is not transferrable to, nor enforceable by any other person.

iTOOLco will replace free of charge any part(s) of the product found to be defective when such part(s) is returned to iTOOLco at the address shown below, freight prepaid. If the part(s) is found to be defective, iTOOLco will refund freight charges paid by you in returning the defective part(s) and prepay replacement part(s) freight charges. iTOOLco will not be responsible for more than replacement of any defective part(s) and standard freight charges (parcel post or UPS ground rate) of any part(s) found to be defective.

THIS IS THE EXCLUSIVE REMEDY. ITOOLCO SHALL NOT BE RESPONSIBLE OR LIABLE FOR ANY INCIDENTAL OR CONSEQUENTIAL DAMAGES RESULTING FROM ANY DEFECTS COVERED BY THIS WARRANTY OR ANY IMPLIED WARRANTY APPLICABLE TO THE PRODUCT INCLUDING, BUT NOT LIMITED TO, PROPERTY DAMAGE, LOSS OF USE OF PRODUCT, LOSS OF TIME, LOSS OF PROFITS, INCONVENIENCE, COMMERCIAL LOSS, LABOR COSTS, SERVICE TRIPS, AND MILEAGE.

Some states do not allow limitation on how long an implied warranty lasts, so the above limitation may not apply to you.

Dealer/Distributor Warranty Claim Procedure

1. All warranty claims must be pre-approved by iTOOLco Warranty Department PRIOR to starting any warranty work. Warranty work performed without prior approval will not be considered.
2. All claims must be handled through dealer/distributor.
3. Written approval must be received from iTOOLco before return of merchandise. A Return Authorization is to be returned with the merchandise which is sent back.
4. All parts must be returned to iTOOLco at the address shown below, freight prepaid.
5. The serial number of the product and the date of delivery must accompany the part(s) being returned.
6. If the part(s) is found to have failed because of a defect in material or workmanship, replacement will be made on a no-charge basis, and the part(s) returned, freight prepaid. Standard freight charges (parcel post or UPS ground rate) incurred in returning the part(s) will be refunded.
7. For reasons of expediency, replacement and/or repair part(s) may be shipped as soon as possible and billed to the dealer/distributor. When part(s) is returned, if it is covered under warrant, credit will be issued for the part(s) and freight charges.
8. All parts found to be defective shall be retained by and shall become the property of iTOOLco. This warranty gives you specific legal rights, and you may also have other rights which vary from state to state.

Corporate Address: iTOOLco
100 Meco Lane
Oak Ridge, TN 37830

