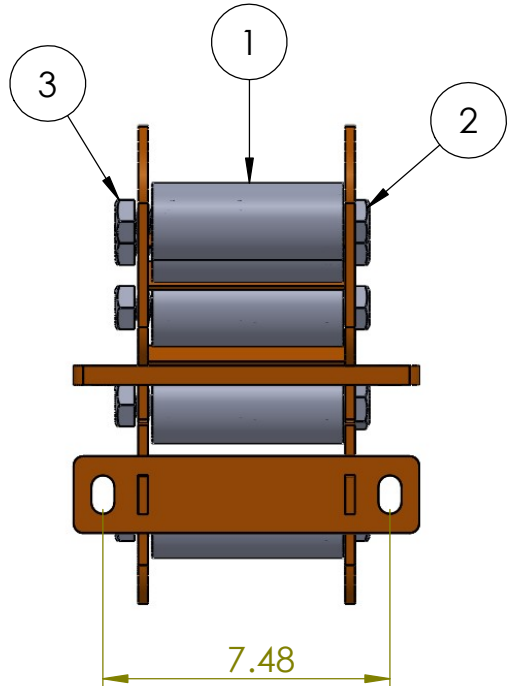
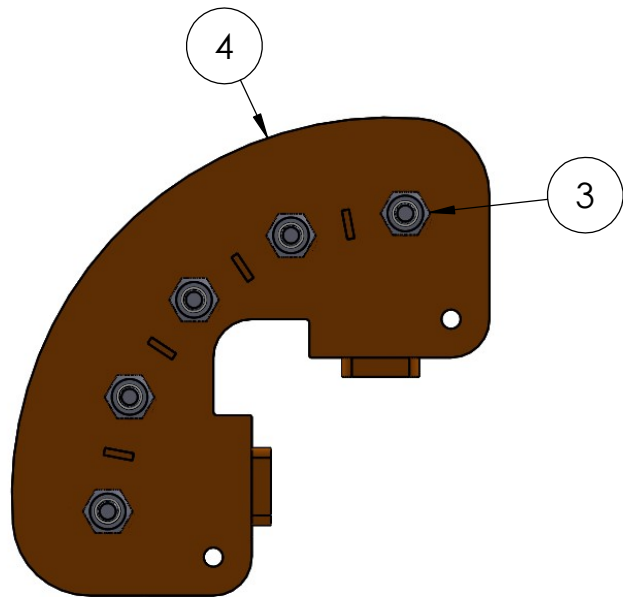
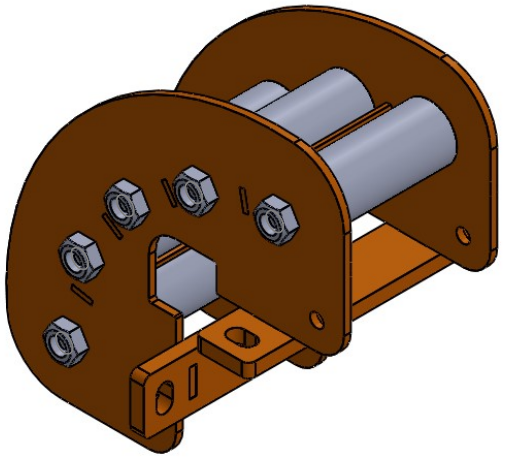


ITEM NO.	PART NUMBER	DESCRIPTION	QTY.
1	C10K-607	2" Steel Roller (with sleeve bearings)	5
2	HW-174	5/8" 11† x 6" Bolt	5
3	Hw-182	5/8" nyloc nut	5
4	CR10-400	Welded Frame	1



UNLESS OTHERWISE SPECIFIED:	NAME	DATE
DIMENSIONS ARE IN INCHES TOLERANCES:	DRAWN D. Jordan	9/13/16
ANGULAR: MACH +1/4"BEND ±.03	CHECKED	
TWO PLACE DECIMAL ±.01	ENG APPR.	
THREE PLACE DECIMAL ±.005	Q.A.	
INTERPRET GEOMETRIC TOLERANCING PER:	<b>PROPRIETARY AND CONFIDENTIAL</b>	
FINISH Powder Coat	THE INFORMATION CONTAINED IN THIS DRAWING IS THE SOLE PROPERTY OF i TOOL co. ANY REPRODUCTION IN PART OR AS A WHOLE WITHOUT THE WRITTEN PERMISSION OF i TOOL co. IS PROHIBITED.	
DO NOT SCALE DRAWING		

<b>iTOOLco.</b>		(865)670-3713
TITLE:		
Curb Roller 10K		
SIZE	DWG. NO.	REV
<b>A</b>	<b>CR10</b>	
SCALE: 1:5	WEIGHT:	SHEET 1 OF 1