

**ITOOLCO.**

(865)670-3713

TITLE:

3000lb Cordless utility puller

NAME	D. Jordan	DATE	??
SIZE	DWG. NO.	REV	
<b>A</b>	<b>UPM3K</b>		
SCALE: 1:50	WEIGHT:	SHEET 1 OF 5	

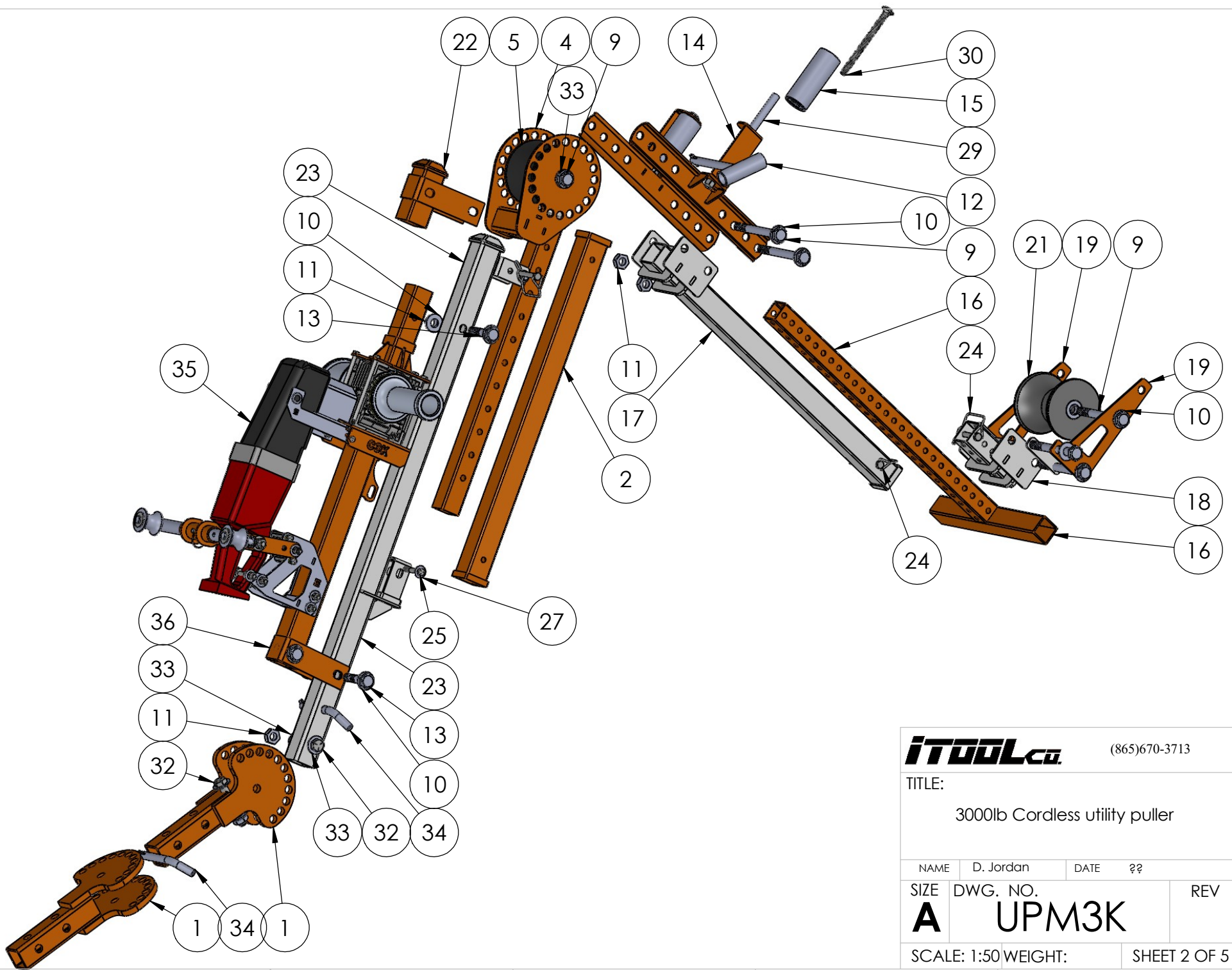
5

4

3

2

1



5

4

3

2

1

<b>ITool</b> co.		(865)670-3713	
TITLE: 3000lb Cordless utility puller			
NAME	D. Jordan	DATE	??
SIZE	DWG. NO.	REV	
<b>A</b>	<b>UPM3K</b>		
SCALE: 1:50		WEIGHT:	SHEET 2 OF 5

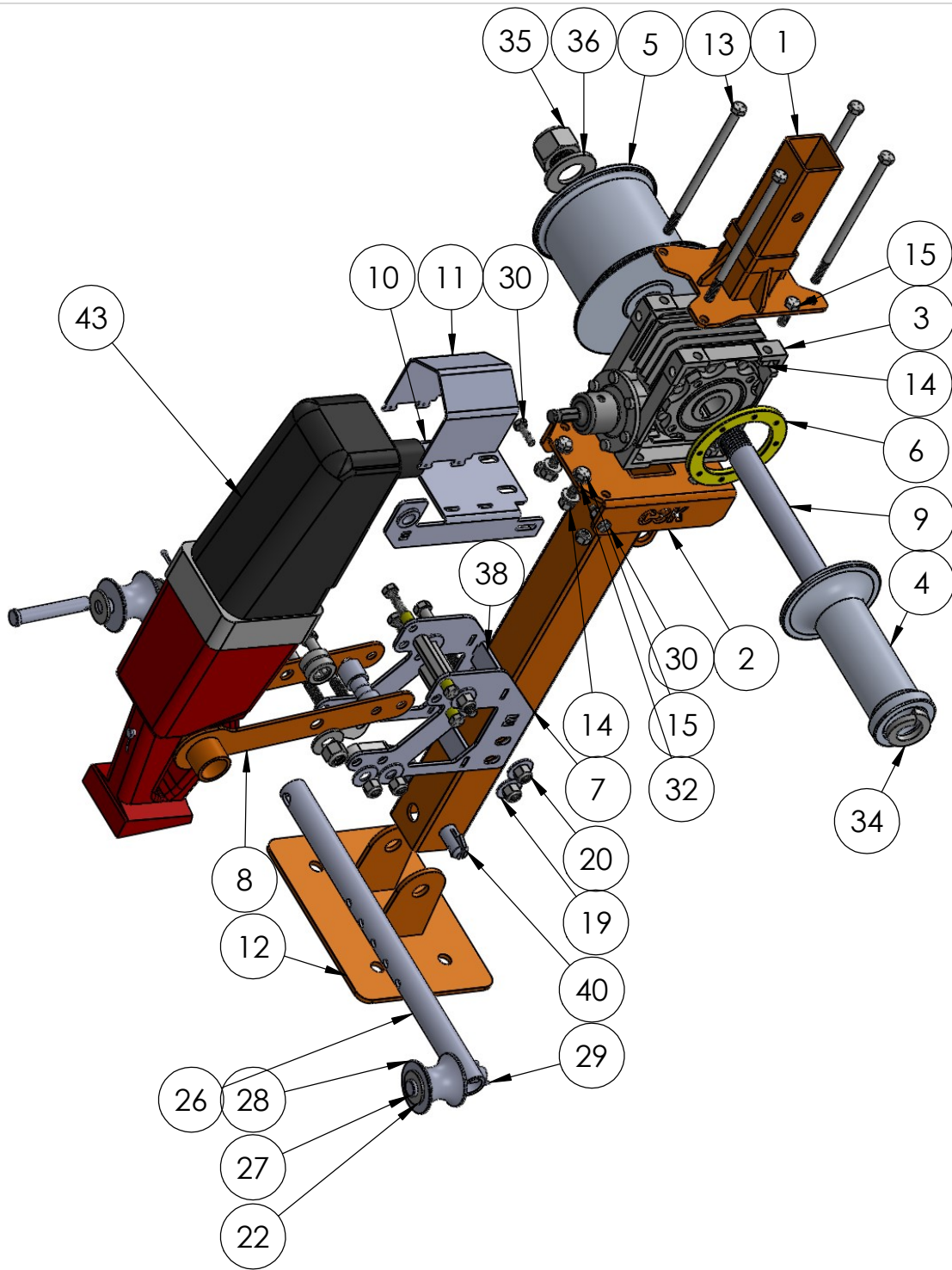
ITEM NO.	PART NUMBER	DESCRIPTION	QTY.
1	C6KR-405	Receiver Hitch Pivot	2
2	C6K-409.2	Outer Extension w/ weld on sleeves	1
3	C6K-405	Inner Telescoping Tube	1
4	C6K-406.2	New Style Main Roller	1
5	SP-107	Fron & Main Roller	2
6	SP-114	5/8" ID 1-3/8"OD Bearing	2
7	SP-001.2	Pull Pop Pin	1
8	SP-149	Interior Roller Bearing	2
9	HW-175	5/8" 11t x 6.5" Bolt	7
10	HW-176	5/8" SAE Washer	20
11	Hw-182	5/8" nyloc nut	13
12	SP-182	5/8" Hitch Pin w/ Flashlight Holder	1
13	HW-173	5/8" 11t x 3.25" Bolt	3
14	C6KR-412	Side arm with Roller Mount	2
15	SP-115	Alum Roller w/Bearings	2
16	C6KR-414	Extendable T Foot	1
17	C6KR-415	Front Extension Bar	1
18	C6KR-416	Slide on attachment bracket	1
19	C6KR-417	5" Roller Bracket	2
20	C6KR-222	2 Hole Spacer	2
21	SP-142	5" Roller	1
22	C3KR-401.SLDPRT	Front Mount Bracket	1
23	C6KR-406	Main Tube Assembly	1
24	HW-350 Deep sq retainer .375 pin	3/8" Pin with large sq retainer	3
25	HW-136	3/8 16T x 2.5" Long Hex Bolt	1
26	HW-142	.375x 16 x 3. bolt	1
27	HW-146	3/8" Flat Washer	4
28	HW-150	3/8" Nylock Nut	2
29	TR-114	Bearing Sleeve 5-1/16" .625 x .058w	2
30	HW-287	1/2" x 6" Carriage Bolt	2
31	HW-168	1/2" 13t Nyloc nut	2
32	HW-351	5/8" 11T x 4"L Hex Bolt	3
33	HW-176	5/8" SAE Washer	10
34	SP-185	5/8" Bent Hitch Pin	2
35	C3K-603	3K Gearbox Base Unit	1
36	C3KR-402	Bent Bracket Part 2 hole	1

**IToolCo.** (865)670-3713

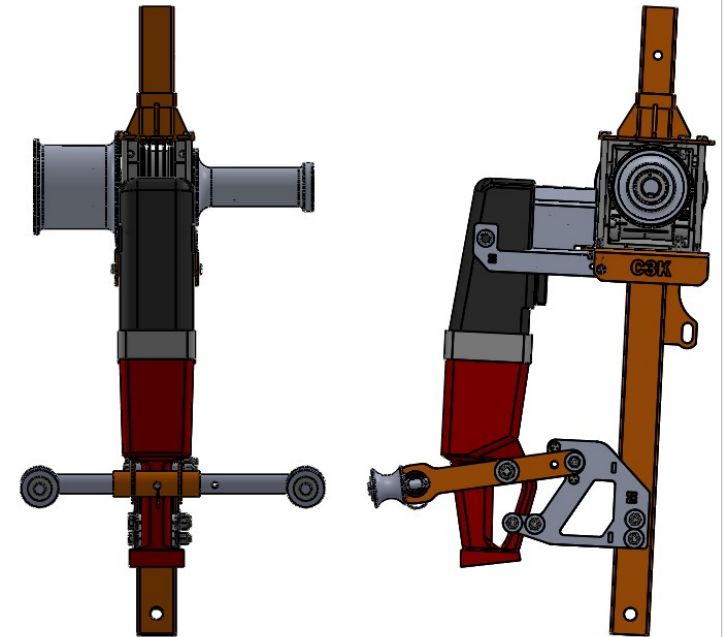
TITLE:  
3000lb Cordless utility puller

NAME	D. Jordan	DATE	??
SIZE	DWG. NO.	REV	
<b>A</b>	<b>UPM3K</b>		

SCALE: 1:50 WEIGHT: SHEET 3 OF 5



**C3K-603 Gearbox base unit with cordless motor**



**IToolCo.**

(865)670-3713

TITLE:

3000lb Cordless utility puller

NAME	D. Jordan	DATE	??
SIZE	DWG. NO.	REV	
<b>A</b>	<b>UPM3K</b>		
SCALE: 1:50	WEIGHT:	SHEET 4 OF 5	

ITEM NO.	PART NUMBER	DESCRIPTION	QTY.
1	C3K-401	Gearbox Top	1
2	C3K-402	Gearbox Bottom	1
3	GB-006	3K Gearbox	1
4	C3K-100M	High Torque Capstan	1
5	C3K-101M	High Speed Capstan	1
6	SP-274	3K Brass bearing	1
7	C3K-417	Mill Cordless Motor Handle mount	2
8	C3K-408	Trigger pull weldment	1
9	SP-273	3k Output Shaft	1
10	C3K-412	Cordless Mil Motor Mount	1
11	C3K-413	Motor Cover Coated	1
12	C6K-402	Base Plate	1
13	HW-352	5/16" 18T x 6.5L G5 Bolt	4
14	HW-353	5/16" 18T Nylock Hex Nut	10
15	HW-354	5/16" 18T x 1"L G5 Hex Bolt	10
16	SP-249	5/16"ID 7/16"OD x 3/8" long oilite sleeve	4
17	HW-355	5/16" Sq. x7"L Key Stock	1
18	HW-142	3/8" 16t X 3" Hex Bolt	4
19	HW-146	3/8" Flat Washer	10
20	HW-306	3/8 16T x nyloc nut	5
21	HW-356	1/2" 13T x 3.5"L G5 Hex Bolt	1
22	HW-166	1/2" flat washer	6
23	SP-108	Capture Bushing	2
24	HW-168	1/2" 13t Nyloc nut	1
25	SP-149	Interior Roller Bearing	1
26	C6K-410	Coated Rope roller tube	1
27	HW-254	1/2" X 3"L Clevis pin	2
28	SP-109	Rope roller	2
29	HW-222	1/8" cotter pin	2
30	HW-120	1/4"-20t x 7/8" hex bolt	2
31	HW-128	1/4 20 Nyloc nut	2
32	HW-357	5/16" Flat Washer	4
33	HW-250	.25 Hitch Pin	1
34	HW-358	1" Split Lock Washer	1
35	HW-358	1" 8T Nylock Nut	1
36	HW-200	1" Flat Washer	1
37	C3K-418	Zincd Motor Handle Spacer	2
38	C3K-419	Tabbed Motor Handle Spacer	2
39	91247A638		1
40	SP-185	5/8" Bent Hitch Pin	1
41	HW-361	5/16" 18T x 2"L Thread coupling	2
42	SP-287	Capture Bushing	2
43	SP-281	Cordless Mill 3K Motor	1



(865)670-3713

TITLE:  
3000lb Cordless utility puller

NAME	D. Jordan	DATE	??
SIZE	DWG. NO.	REV	
<b>A</b>	<b>UPM3K</b>		

SCALE: 1:50 WEIGHT: SHEET 5 OF 5