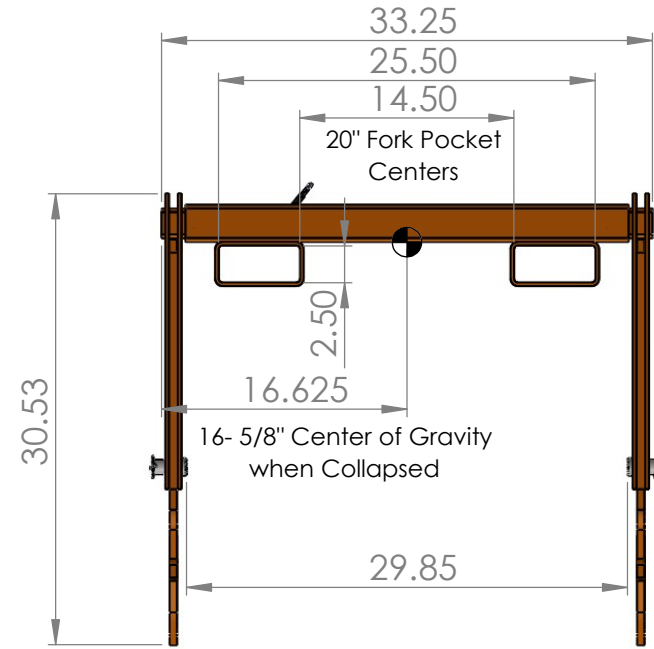
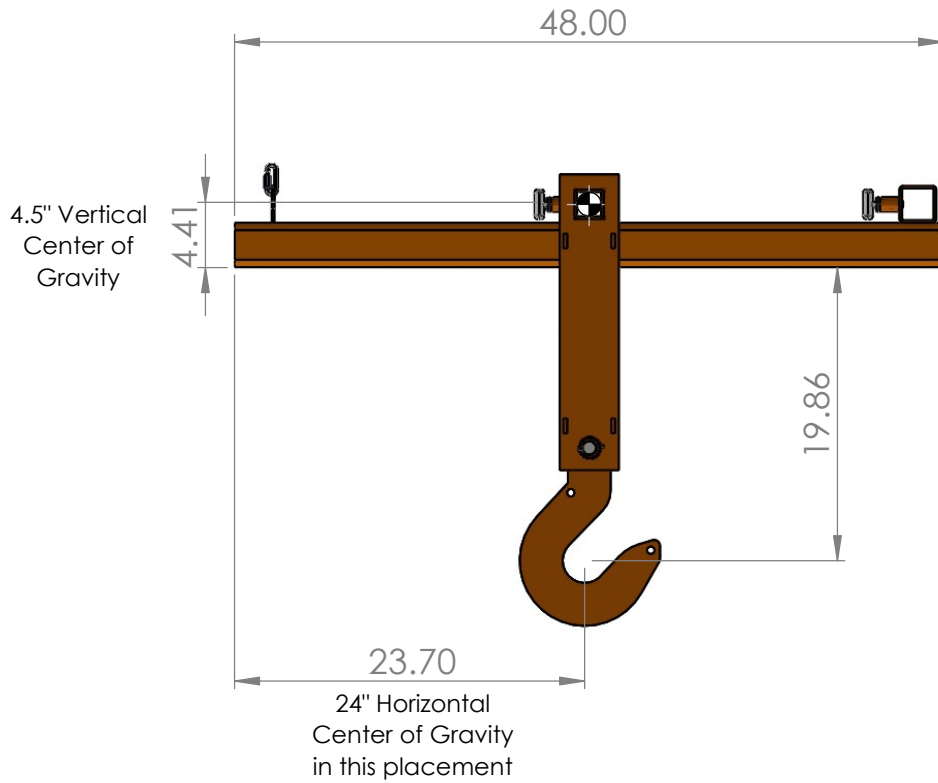


SPOOL PICKING BOOM, SB01



STANDARD FEATURES

Model: SB01
 Capacity: 7000lbs
 Lost Load: 200lbs
 Overall Height: 30.5"-44.5"
 Overall Length: 48"
 Overall Width: 33.5"-53.5"
 Useable Fork Pocket: 5.5" x 2.5"
 20" Fork Pocket Centers
 24" Min. Hook Distance
 46.5" Max Hook Distance
 Effective Thickness: less than 1"

NEVER EXCEED LOAD CENTER RATING PER FORK TRUCK MANUFACTURERS GUIDELINES. DO NOT USE THIS FORK TRUCK ATTACHMENT IF LOAD WILL EXCEED FORK TRUCK MANUFACTURERS LOAD CENTER RATING

Approval

DIMENSION TOLERANCE $\pm 1/4"$

I, THE UNDERSIGNED, AGREE THAT THE PRODUCT AS REPRESENTED SATISFIES DESIGN AND DIMENSION REQUIREMENTS. I ALSO ACKNOWLEDGE MY DUTY TO CONFIRM PRODUCT AND INSTALLATION COMPLIANCE WITH ALL APPLICABLE FEDERAL, STATE AND LOCAL REGULATIONS AND STANDARDS.

Signed: _____ Date: _____

Printed Name: _____

NOTES:

IToolCo.

(865)670-3713

TITLE:

Spool Picking Boom

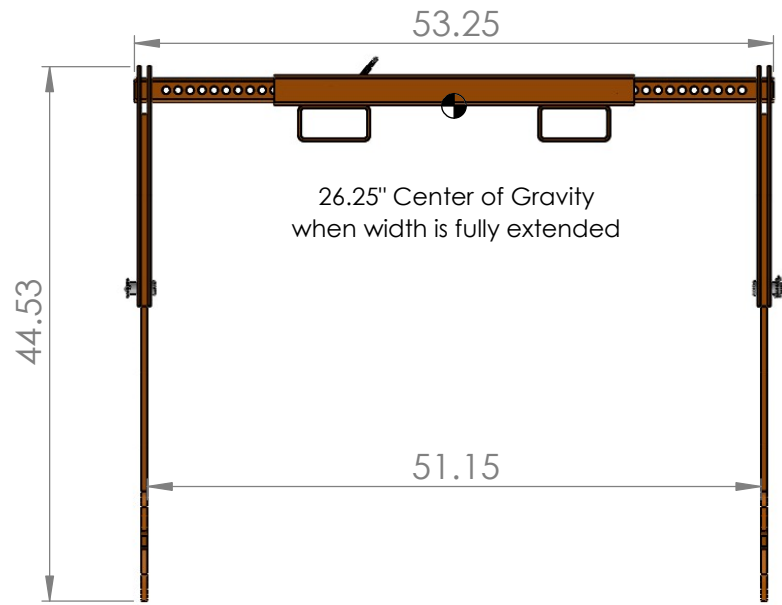
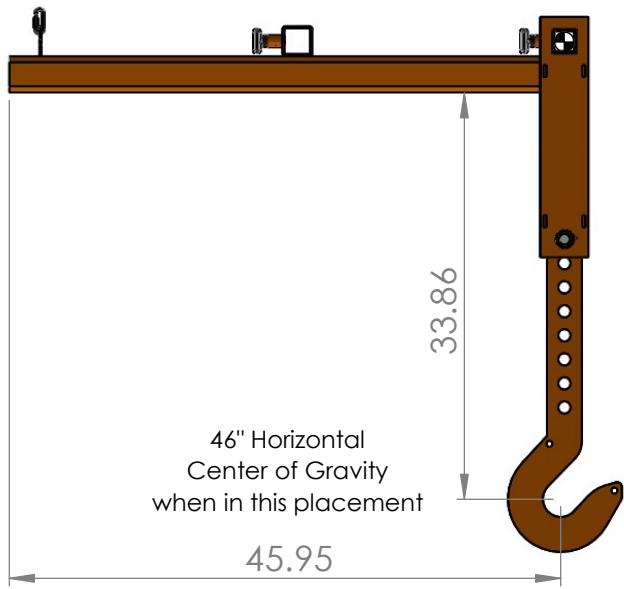
NAME D. Jordan DATE ??

SIZE DWG. NO. REV

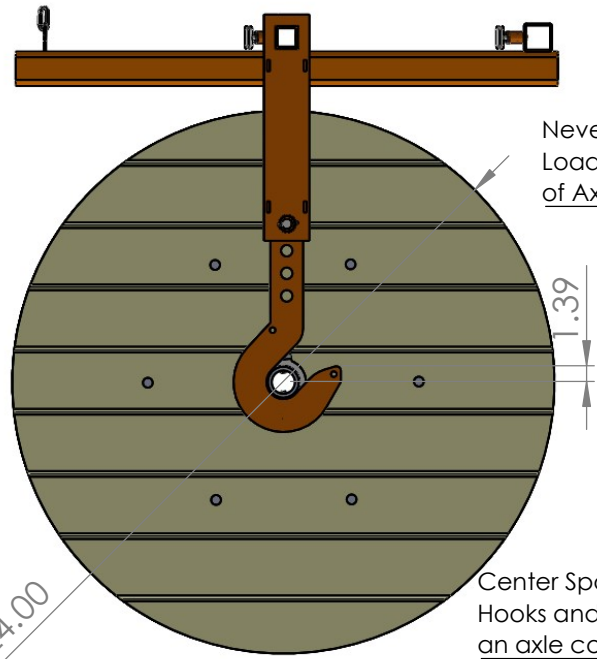
A SB01 Dim and approval

SCALE: 1:50 WEIGHT:

SHEET 1 OF 2

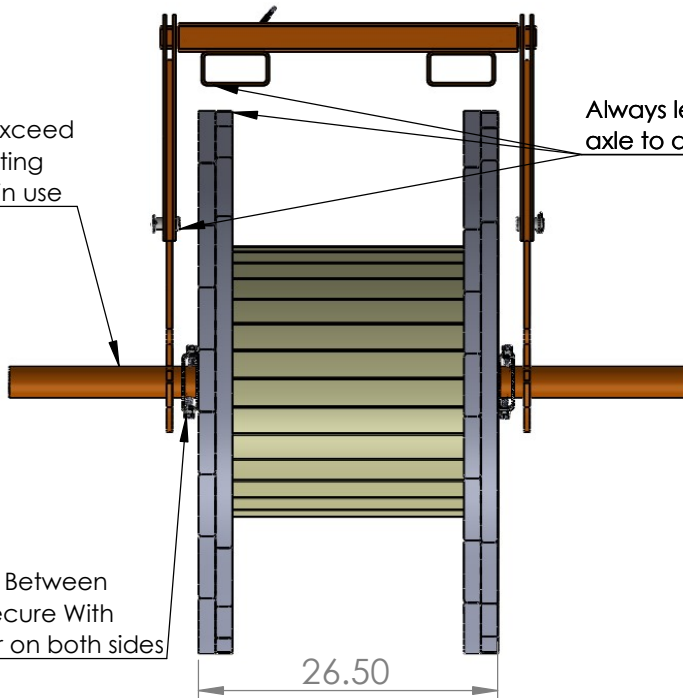


Shown with 48" Dia. Spool
I Toolco AX04 Axle and
RBAXC01 Axle Collars
for axle Dia. 2"-2.75"



Never Exceed Load rating of Axle in use

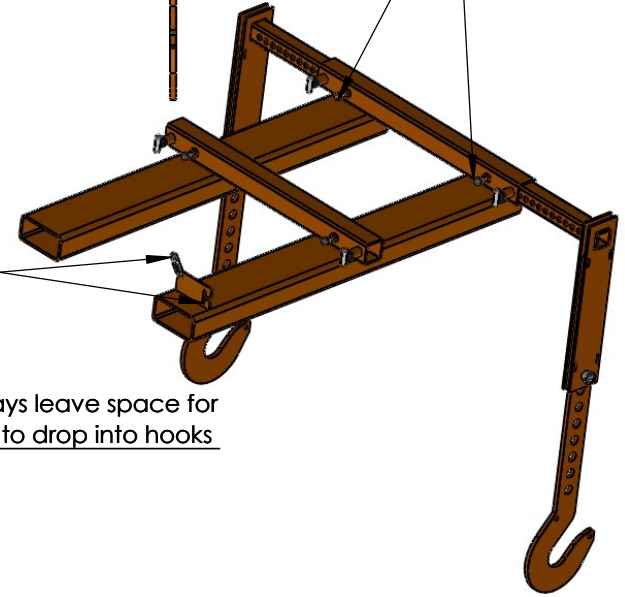
Center Spool Between Hooks and Secure With an axle collar on both sides



Always leave space for axle to drop into hooks

Use Safety Chain to fasten to Fork Truck When in Use

Retighten Pinch Bolts after any adjustment



ITOOLCO.		(865)670-3713	
TITLE: Spool Picking Boom			
NAME	D. Jordan	DATE	??
SIZE	DWG. NO.	REV	
A	SB01 Dim and approval		
SCALE: 1:50	WEIGHT:	SHEET 2 OF 2	