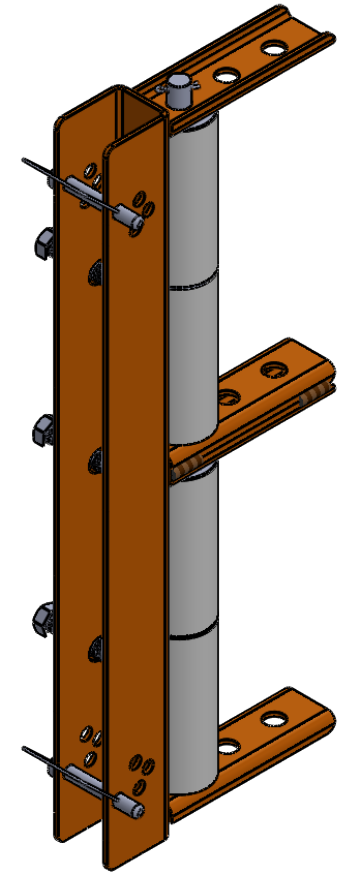
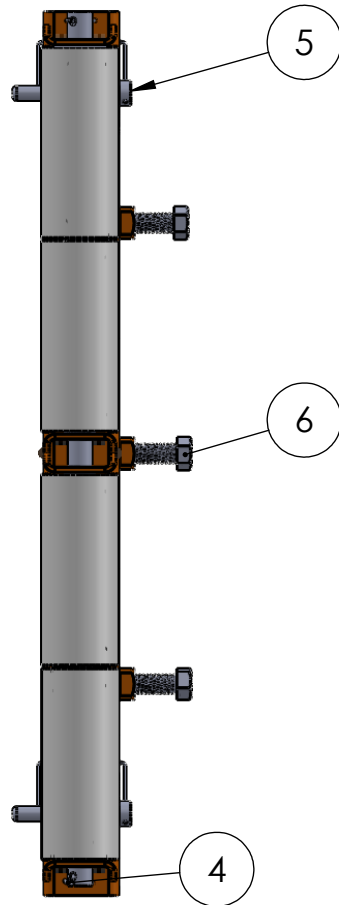
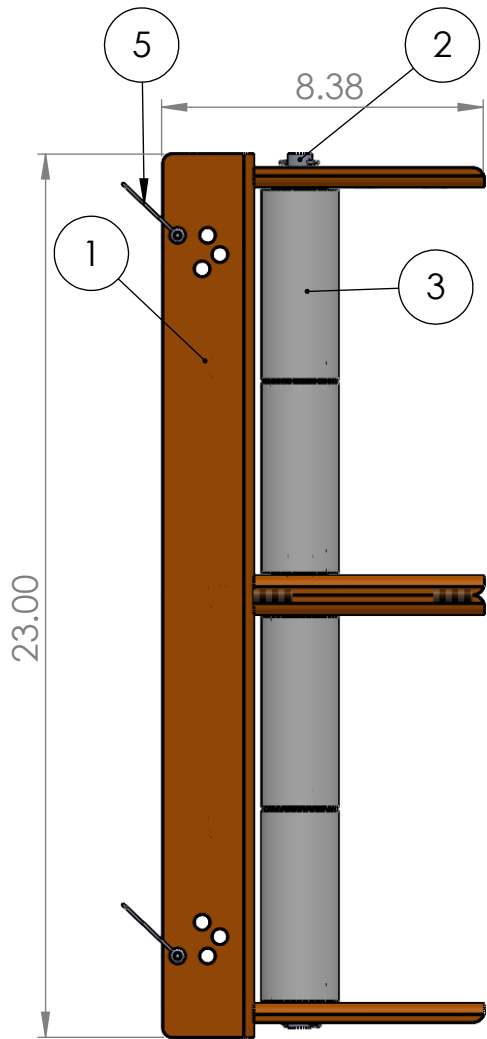


ITEM NO.	PART NUMBER	DESCRIPTION	QTY.
1	TR-304	20" Tray Roller Frame	1
2	TR-117M	Main Bearing Axle	1
3	SP-115	Alum Roller w/Bearings	4
4	HW-222	1/8" cotter pin	2
5	HW-252	3/8 Pin w/ retainer	2
6	HW-161	1.75" - 1/2 13t Bolt	3



IToolCo.

(865)670-3713

TITLE:

NAME D. Jordan DATE ??

SIZE DWG. NO. REV

A TRST20

SCALE: 1:5 WEIGHT: SHEET 1 OF 1

5

4

3

2

1