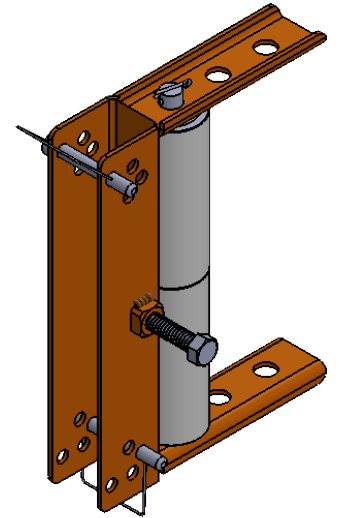
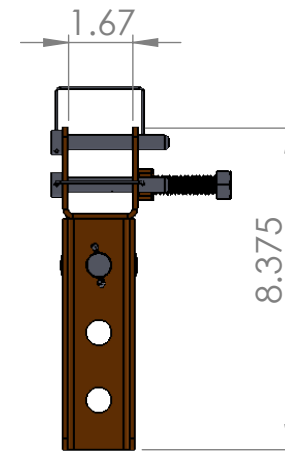
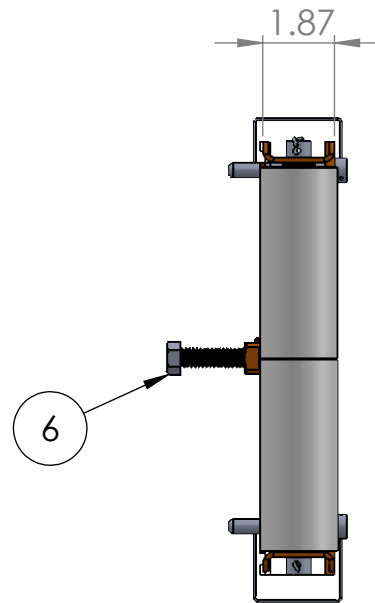
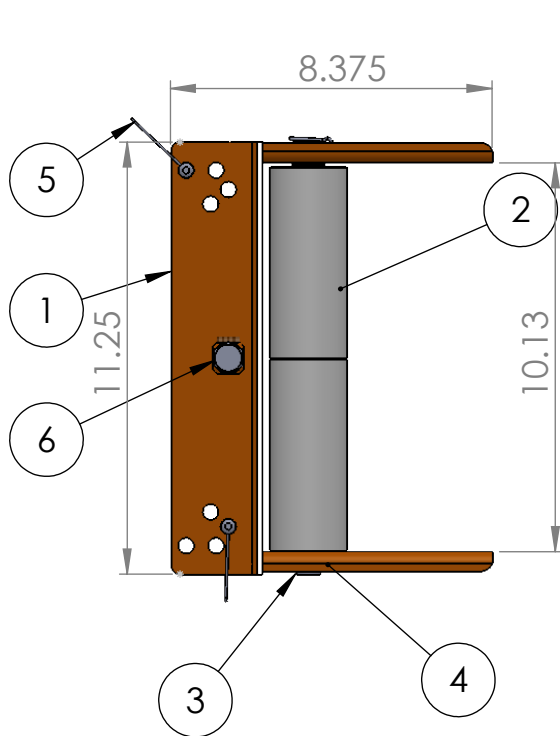


ITEM NO.	PART NUMBER	DESCRIPTION	QTY.
1	TR-401	ST 10" Powder Coated	1
2	SP-115	Alum Roller w/Bearings	2
3	TR-415	11.25"- 5/8" zinc axle	1
4	HW-222	1/8" cotter pin	2
5	HW-252	3/8 Pin w/ retainer	2
6	HW-161	1.75" - 1/2 13t Bolt	1



UNLESS OTHERWISE SPECIFIED:		NAME	DATE	iTOOL co. (865)670-3713
DIMENSIONS ARE IN INCHES TOLERANCES: ANGULAR: MACH +1/4"BEND ±.03 TWO PLACE DECIMAL ±.01 THREE PLACE DECIMAL ±.005		DRAWN	D. Jordan 11/29/16	
INTERPRET GEOMETRIC TOLERANCING PER:		CHECKED		TITLE: Straight 10" Tray Roller
MATERIAL	????????	ENG APPR.		SIZE DWG. NO. A TRST10
FINISH	??????	Q.A.		SCALE: 1:5 WEIGHT: SHEET 1 OF 1
DO NOT SCALE DRAWING		PROPRIETARY AND CONFIDENTIAL THE INFORMATION CONTAINED IN THIS DRAWING IS THE SOLE PROPERTY OF iTOOL co. ANY REPRODUCTION IN PART OR AS A WHOLE WITHOUT THE WRITTEN PERMISSION OF iTOOL co. IS PROHIBITED.		

5

4

3

2

1