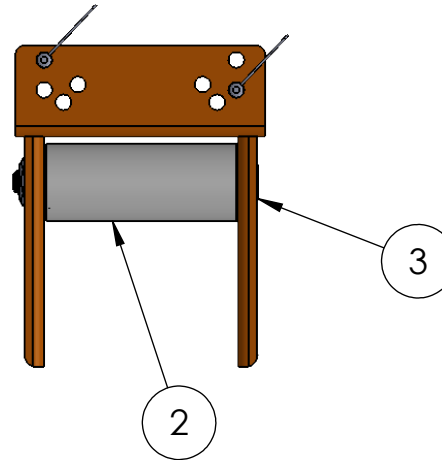
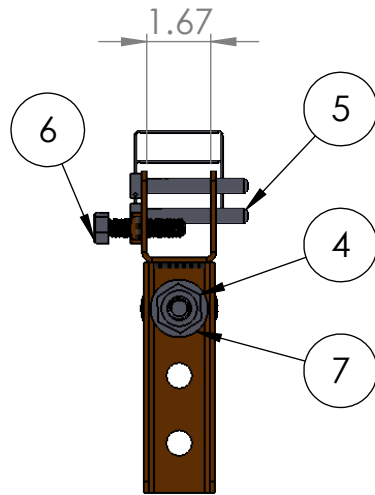
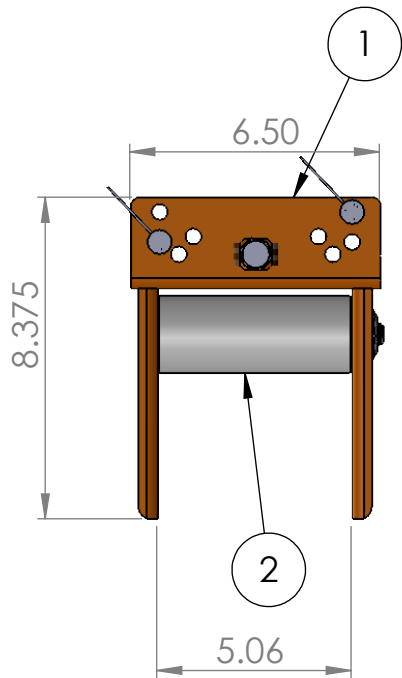
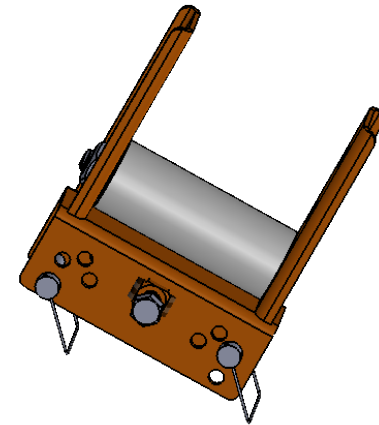


ITEM NO.	PART NUMBER	DESCRIPTION	QTY.
1	TR-403	5" straight Frame	1
2	SP-115	Alum Roller w/Bearings	1
3	HW-174	5/8" 11t x 6" Bolt	1
4	Hw-182	5/8" nyloc nut	1
5	HW-252	3/8 Pin w/ retainer	2
6	HW-161	1.75" - 1/2 13t Bolt	1
7	HW-176	5/8" SAE Washer	2



UNLESS OTHERWISE SPECIFIED:		NAME	DATE	<b>iTOOL</b> co. (865)670-3713
DIMENSIONS ARE IN INCHES TOLERANCES: ANGULAR: MACH +1/4*BEND ±.03 TWO PLACE DECIMAL ±.01 THREE PLACE DECIMAL ±.005		DRAWN	D. Jordan 9/29/16	
INTERPRET GEOMETRIC TOLERANCING PER:		CHECKED		TITLE: Straight 5" tray roller
MATERIAL	???????	ENG APPR.		SIZE DWG. NO. <b>A</b> TRST05
FINISH	???????	Q.A.		SCALE: 1:5 WEIGHT: SHEET 1 OF 1
DO NOT SCALE DRAWING		<b>PROPRIETARY AND CONFIDENTIAL</b> THE INFORMATION CONTAINED IN THIS DRAWING IS THE SOLE PROPERTY OF iTOOL co. ANY REPRODUCTION IN PART OR AS A WHOLE WITHOUT THE WRITTEN PERMISSION OF iTOOL co. IS PROHIBITED.		

5

4

3

2

1