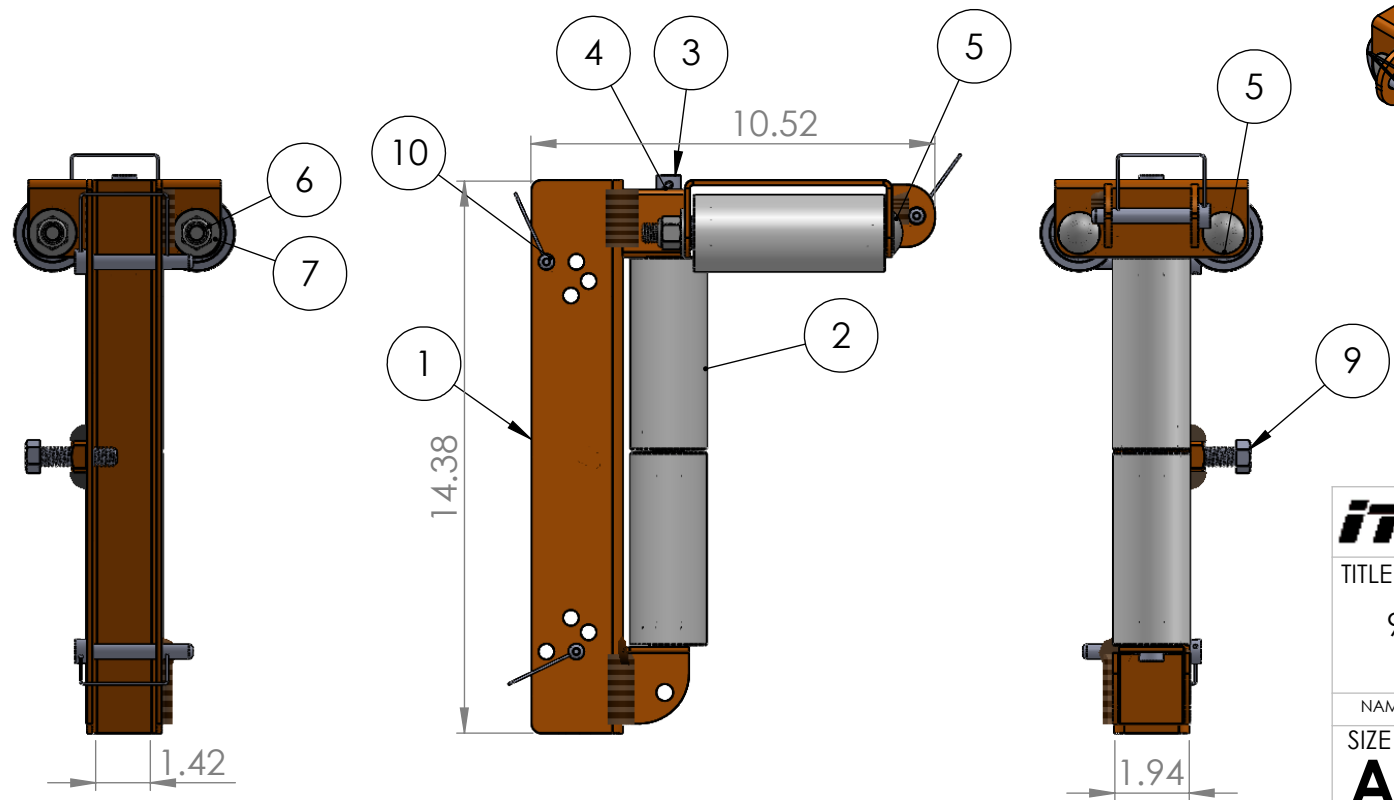
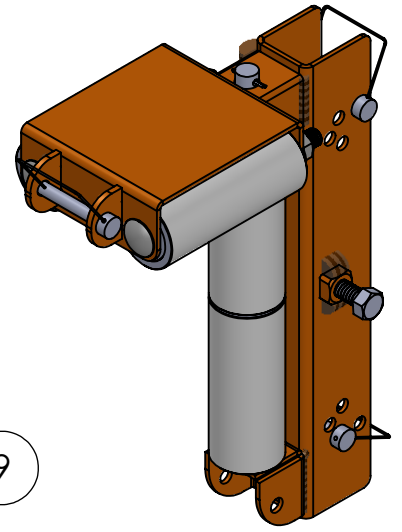
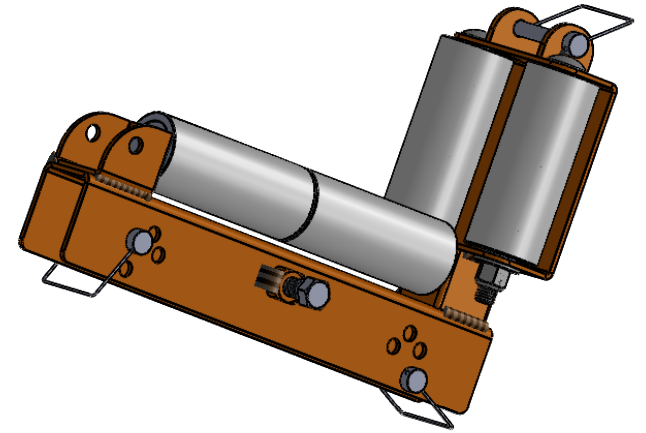


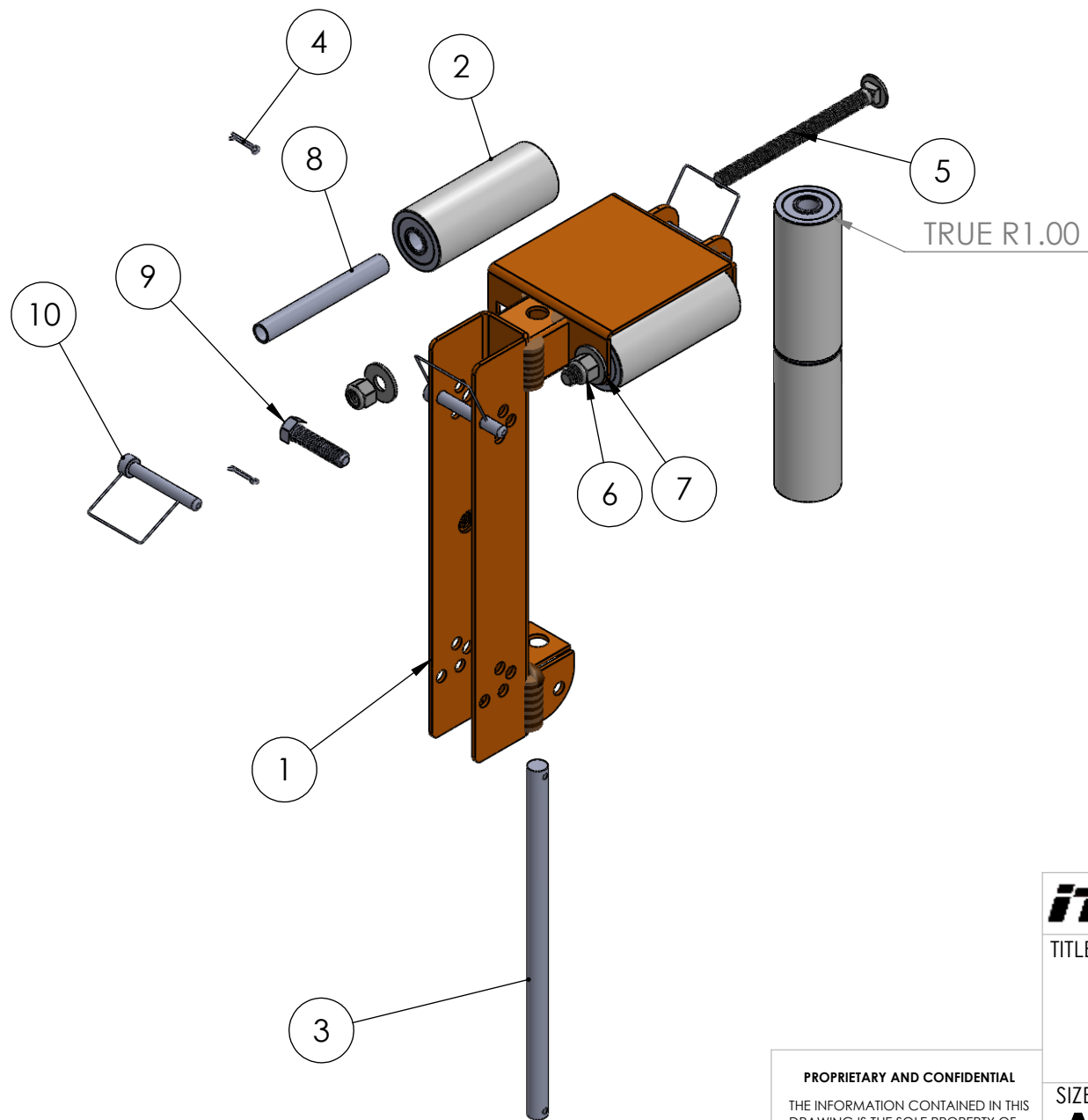
ITEM NO.	PART NUMBER	DESCRIPTION	QTY.
1	TR-402	10" 90* trapping tray roller	1
2	SP-115	Alum Roller w/Bearings	4
3	TR-416	12.625" 5/8" zinc axle	1
4	HW-222	1/8" cotter pin	2
5	HW-287	1/2" x 6" Carriage Bolt	2
6	HW-168	1/2" 13t Nyloc nut	2
7	HW-166	1/2" flat washer	2
8	TR-114	Bearing Sleeve 5-1/16" .625 x .058w	2
9	HW-161	1.75" - 1/2 13t Bolt	1
10	HW-252	3/8 Pin w/ retainer	3



**IToolCo.** (865)670-3713

TITLE:  
90\* 10" Trapping Tray Roller

NAME	D. Jordan	DATE	11/29/16
SIZE	DWG. NO.		
<b>A</b>	<b>TR9010</b>		
SCALE: 1:5	WEIGHT:	SHEET 1 OF 2	



**iTOOL**co. (865)670-3713

TITLE:  
Exploded View

**PROPRIETARY AND CONFIDENTIAL**  
THE INFORMATION CONTAINED IN THIS DRAWING IS THE SOLE PROPERTY OF iTOOL co. ANY REPRODUCTION IN PART OR AS A WHOLE WITHOUT THE WRITTEN PERMISSION OF iTOOL co. IS PROHIBITED.

SIZE <b>A</b>	DWG. NO. <b>TR9010</b>	REV
Date	WEIGHT:	SHEET 2 OF 2