

# IToolCo

## User's Guide



# REAL JACKS™

100 MECO LANE | OAK RIDGE, TN 37830 | 865.483.2040 | ITOOLCO.COM  
© 2016 PROPERTY OF ITOOLCO



**BEFORE OPERATION OF THIS TOOL, READ AND UNDERSTAND ALL OF THE INSTRUCTIONS AND SAFETY INFORMATION IN THIS MANUAL**



**Contents**

SAFETY FIRST ..... 3

SAFETY ALERT SYMBOLS ..... 3

IMPORTANT SAFETY INFORMATION FOR ITOOLCO REAL JACKS ..... 4

DESCRIPTION AND OPERATION ..... 5

SET UP AND OPERATION ..... 6

LIMITED WARRANTY: ITOOLCO REAL JACKS ..... 7

## SAFETY FIRST

Safety is essential in the use and maintenance of this tool. This instruction manual and any markings on the tool provide information for avoiding hazards and unsafe practices related to the use of this tool. Observe all of the safety information provided.

### SAFETY ALERT SYMBOLS

This symbol is used to call your attention to hazards or unsafe practices that could result in injury or property damage. The three signal words, defined below, indicate the severity of the hazard. The message after the signal word provides the information for preventing or avoiding the hazard.



#### **DANGER**

Immediate hazards that, if not avoided, **WILL** result in severe injury or death.



#### **WARNING**

Hazards that, if not avoided, **COULD** result in severe injury or death.



#### **CAUTION**

Hazards or unsafe practices that, if not avoided, **MAY** result in injury or property damage.

## IMPORTANT SAFETY INFORMATION FOR ITOOLCO REAL JACKS



### **WARNING**

Read and understand all instructions and safety information in this manual before operating or servicing this tool.

FAILURE TO OBSERVE THESE WARNINGS CAN RESULT IN SEVERE INJURY OR DEATH



### **WARNING – PERSONAL SAFETY HAZARDS**

Only qualified persons should use iTOOLCO Real Jacks.

Wear eye protection and hard hat when using this tool.

Do not use this tool while tired or under the influence of drugs, alcohol, or medication.

Keep body parts and loose clothing away from moving parts.

Always follow operating procedures.

FAILURE TO OBSERVE THESE WARNINGS CAN RESULT IN SEVERE INJURY OR DEATH.



### **WARNING – ENTANGLEMENT HAZARD**

Do not operate this tool while wearing loose-fitting clothing.

Retain long hair.

Keep hands away from roller bearings and axle pipe while reels are on Real Jacks. Could pinch or crush a hand or body part.

FAILURE TO OBSERVE THESE WARNINGS CAN RESULT IN SEVERE INJURY OR DEATH.



### **WARNING – TOOL USE HAZARDS**

Use this tool for manufacturer's intended purpose only. Use other than that which is described in this manual can result in injury or property damage.

Inspect all aspects of the wire pull to ensure safety.

Only qualified personnel should use pulling equipment.

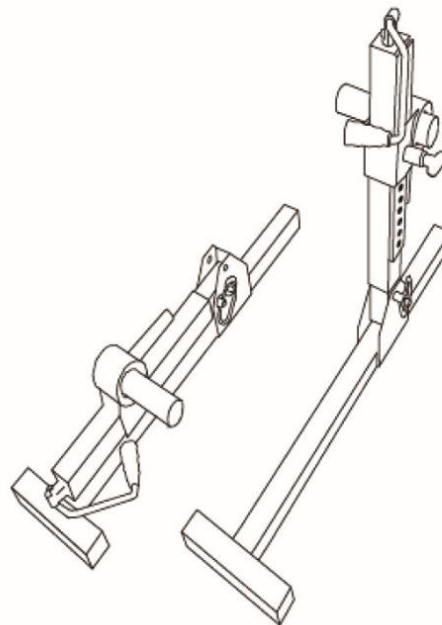
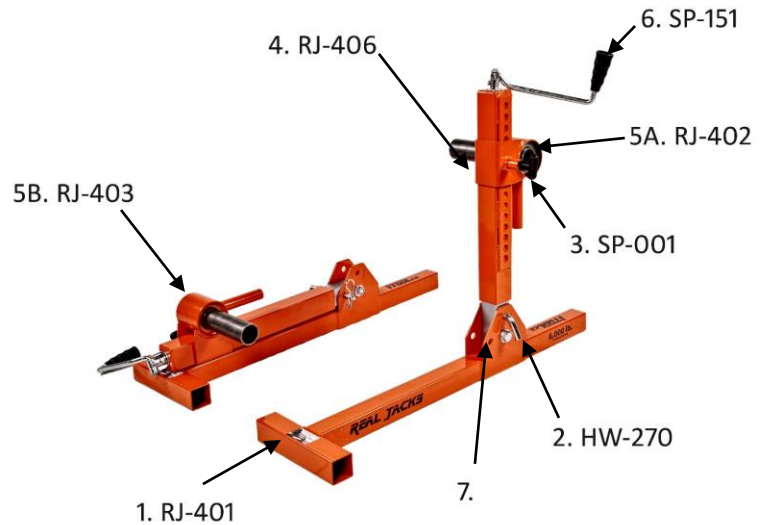
FAILURE TO OBSERVE THESE WARNINGS CAN RESULT IN SEVERE INJURY OR DEATH.

## DESCRIPTION AND IDENTIFICATION

iTOOLCO Real Jacks are designed to safely and quickly lift wire reels for more efficient wire pulls. With their light weight, compact design, and convenient handles, Real Jacks are easy to store, carry, and use. Real Jacks set up in less than one minute and are easy to level when working on uneven surfaces. The smooth roller bearing makes pulling wire easier than ever.

### Identification

1. RJ-401: Real Jack T-base
2. HW-270: 30”L Bent Hitch pin
3. SP-001: 1 ½”L pop pin
4. RJ-406: Real Jacks Jack Stand
- 5A. RJ-402: Right Roller Cage
- 5B. RJ-403: Left Roller Cage
6. SP-151: Handle for Real Jacks
7. Back brace and pin hole



## SET UP AND OPERATION

**IMPORTANT** – You must use an axle with the iTOOLCO Real Jacks. You may use either a 1" to 1 5/8" solid bar, or, for loads under 1,000 lb. use a 2" rigid pipe. **FAILURE TO OBSERVE THIS WARNING COULD RESULT IN SEVERE INJURY OR DEATH.**

### Set Up and Operation

1. Always wear gloves and eye protection when working with iTOOLCO Real Jacks
2. Place axle through wire reel. You may use either a 1" to 1 5/8" solid bar, or, for loads under 1,000 lbs. use a 2" rigid pipe.
3. Place Real Jacks on either side of reel with longer side (T-shaped end) toward the pull.
4. Pull out the pop pin and stand the jack upright.
5. Place hitch pin into vertical hole position.
6. Adjust roller cage to appropriate height and lock into place using the t-handle pop pin.
7. Slide jack into or over axle, leaving 10" between jack and reel to allow for handle to turn.
8. Turn handle to lift reel off floor approximately 1".
9. Level reel by jacking up each side to the appropriate height. Begin pulling wire.



### Specifications

Length	37"
Width	10"
Lowest Height (for 22" spool)	11 1/2"
Height fully extended	38 1/2"
Weight	35 lbs.
Patent	Pending





## LIMITED WARRANTY: ITOOLCO REAL JACKS

iTOOLCo warrants all new Real Jacks covered by his agreement, when properly used, to be free from defects in material and workmanship under normal use and service for which it is intended for a period of one year from date of delivery by the dealer. Date of delivery shall be the date product is placed in possession of the user. NORMAL WEAR FROM USE IS NOT PART OF THIS WARRANTY. This limited warranty is extended to the original user only and is not transferrable to, nor enforceable by any other person.

iTOOLCo will replace free of charge any part(s) of the product found to be defective when such part(s) is returned to iTOOLCo at the address shown below, freight prepaid. If the part(s) is found to be defective, iTOOLCo will refund freight charges paid by you in returning the defective part(s) and prepay replacement part(s) freight charges. iTOOLCo will not be responsible for more than replacement of any defective part(s) and standard freight charges (parcel post or UPS ground rate) of any part(s) found to be defective.

THIS IS THE EXCLUSIVE REMEDY. ITOOLCO SHALL NOT BE RESPONSIBLE OR LIABLE FOR ANY INCIDENTAL OR CONSEQUENTIAL DAMAGES RESULTING FROM ANY DEFECTS COVERED BY THIS WARRANTY OR ANY IMPLIED WARRANTY APPLICABLE TO THE PRODUCT INCLUDING, BUT NOT LIMITED TO, PROPERTY DAMAGE, LOSS OF USE OF PRODUCT, LOSS OF TIME, LOSS OF PROFITS, INCONVENIENCE, COMMERCIAL LOSS, LABOR COSTS, SERVICE TRIPS, AND MILEAGE.

Some states do not allow limitation on how long an implied warranty lasts, so the above limitation may not apply to you.

### Dealer/Distributor Warranty Claim Procedure

1. All warranty claims must be pre-approved by iTOOLCo Warranty Department PRIOR to starting any warranty work. Warranty work performed without prior approval will not be considered.
2. All claims must be handled through dealer/distributor.
3. Written approval must be received from iTOOLCo before return of merchandise. A Return Authorization is to be returned with the merchandise which is sent back.
4. All parts must be returned to iTOOLCo at the address shown below, freight prepaid.
5. The serial number of the product and the date of delivery must accompany the part(s) being returned.
6. If the part(s) is found to have failed because of a defect in material or workmanship, replacement will be made on a no-charge basis, and the part(s) returned, freight prepaid. Standard freight charges (parcel post or UPS ground rate) incurred in returning the part(s) will be refunded.
7. For reasons of expediency, replacement and/or repair part(s) may be shipped as soon as possible and billed to the dealer/distributor. When part(s) is returned, if it is covered under warrant, credit will be issued for the part(s) and freight charges.
8. All parts found to be defective shall be retained by and shall become the property of iTOOLCo. This warranty gives you specific legal rights, and you may also have other rights which vary from state to state.

Corporate Address: iTOOLCo  
100 Meco Lane  
Oak Ridge, TN 37830

